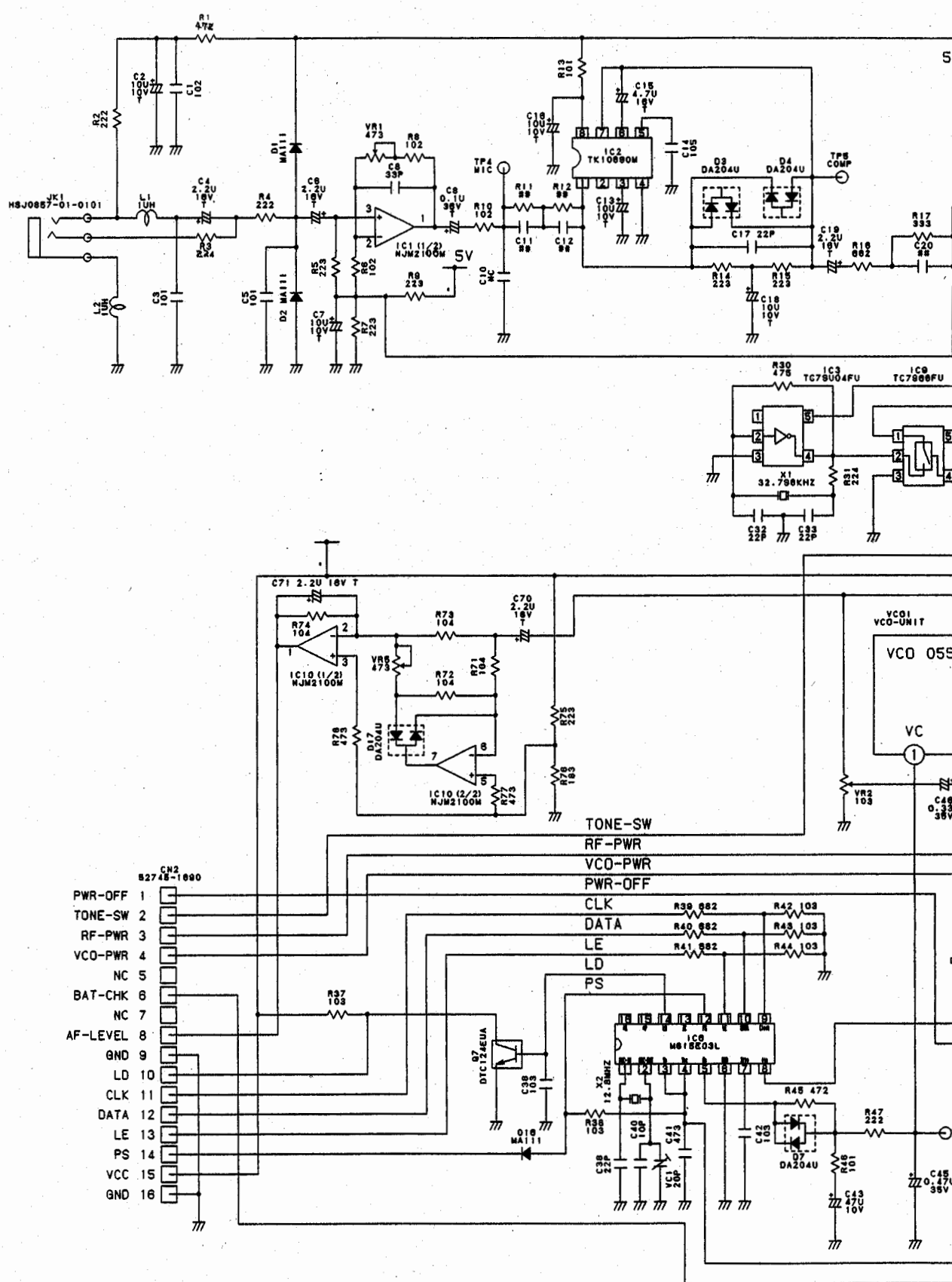


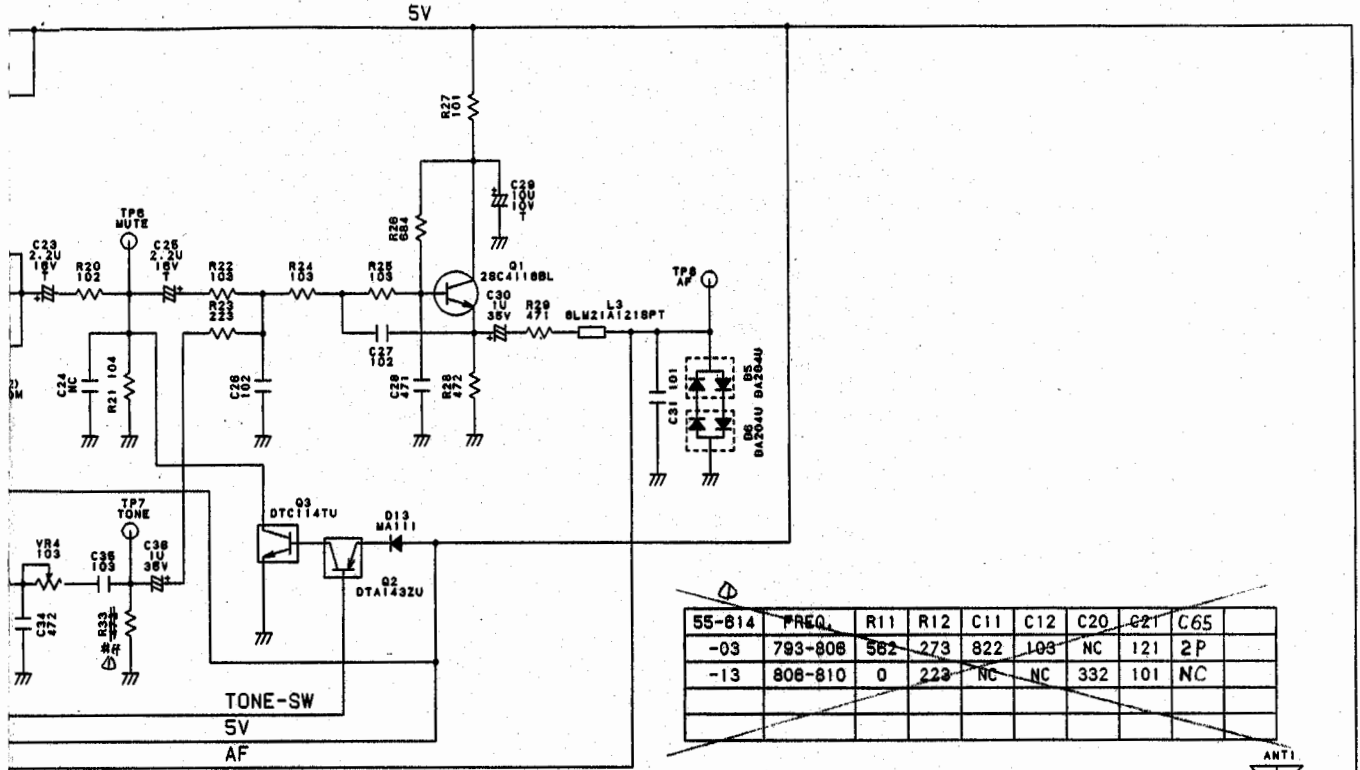
50-21712

A
B
C
D
E
F
G
H

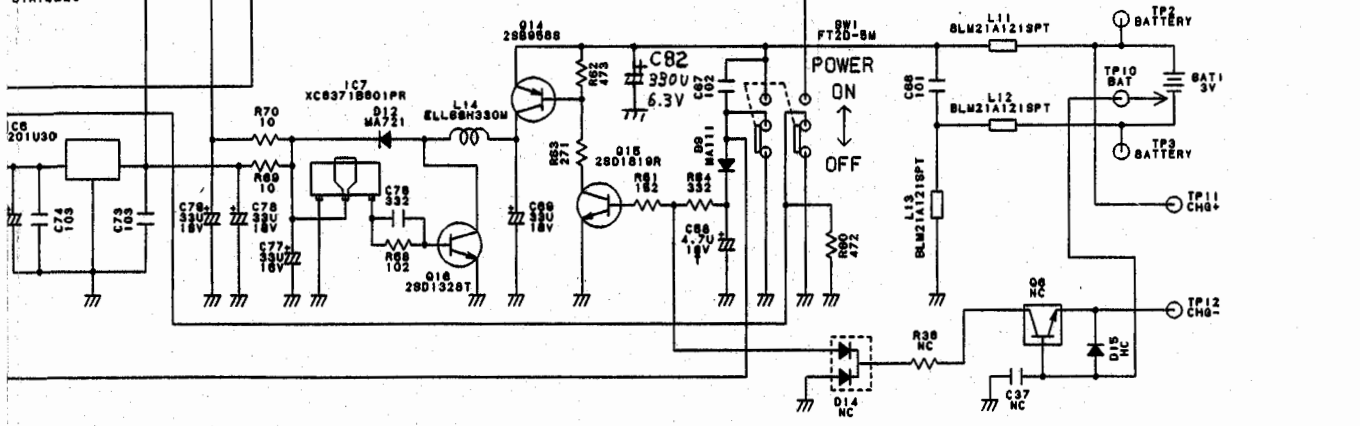
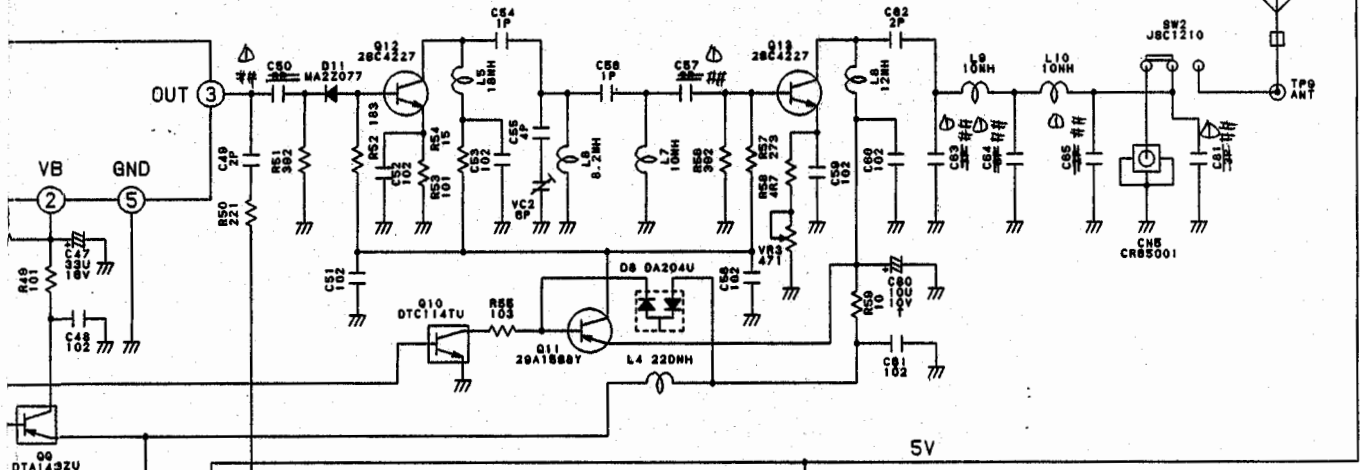


55-614 FREQ.	R11	R12	R33	C11	C12	C20	C21	C50	C59	C63	C64	C65	C81
-03 773~806	562	273	103	822	103	NC	121	6P	3P	3P	4P	NC	2P
-13 806~810	0	223	472	NC	NC	332	101	6P	2P	3P	6P	NC	3P
51-23 740~752	0	223	223	NC	NC	332	101	2P	3P	6P	7P	NC	5P
23 723~735	562	273	103	822	103	NC	121	2P	4P	6P	7P	NC	3P

1 2 3 4 5



55-814	FREQ.	R11	R12	C11	C12	C20	C21	C65
-03	793-808	562	273	822	108	NC	121	2P
-13	808-810	0	223	NC	NC	332	101	NC



△×9 定数変更のため対応変更		06.27	杉本	SCALE	FREE	AZDEN CORPORATION アズデン株式会社
SYMBOL REVISION RECORD		DATE	BY	TITLE	SCHEMATIC DIAGRAM	
DRAWN	CHECKED	CHECKED	APPROVED	MATERIAL	ANGLE	UNIT
大野	金城			FINISH	3RD	MM
05.07.08	05.7.21			USED ON	55-814	DRAWING NO
					33-528	50-21712