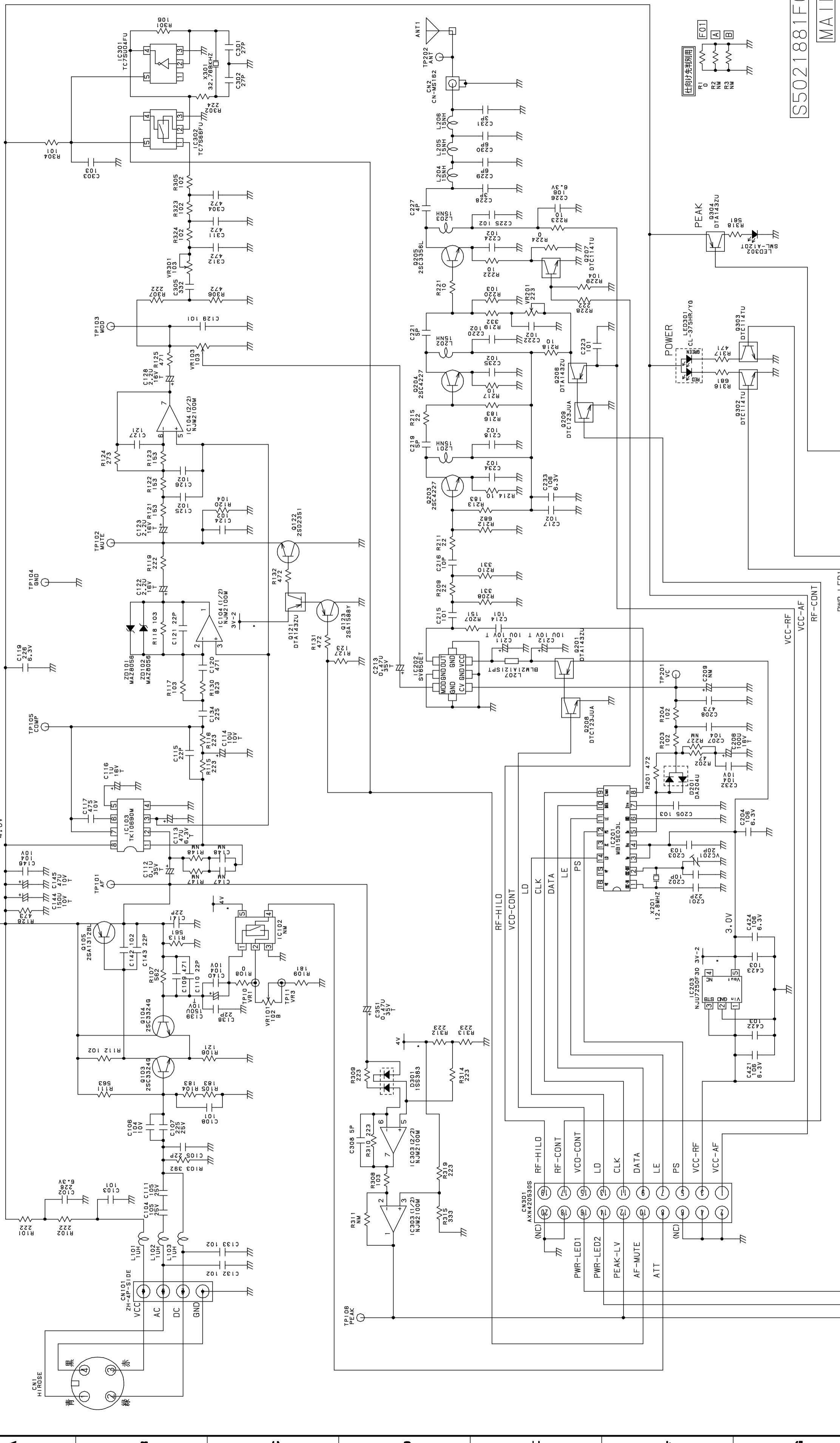


(2/1) 18812-05



S5021881FCC  
MAIN

SYMBOL	REVISION	RECORD	MATERIAL	DATE	BY	UNIT	SCALE
藤丸	CHECKED	CHECKED	APPROVED			3.80	FREE
11.06.16						MM	
33-542						USED ON	
55-834							
110624							

SCALE: FREE  
TITLE: S5021881FCC  
DRAWING NO: 50-21881 (1/2)  
FINISH: 33-542  
USED ON: 55-834  
DATE: 11.06.16  
BY: 藤丸  
UNIT: MM  
SCALE: FREE

AZDEN CORPORATION  
アズデン株式会社  
SCHEMATIC DIAGRAM  
回路図