

2.Voltage and current at RF part

1.Voltage and current at RF part

	Low(CH42-01)	Mid(CH43-47)	High(CH45-47)
Vce	3.2V	3.2V	3.2V
Ic	30mA	30mA	30mA

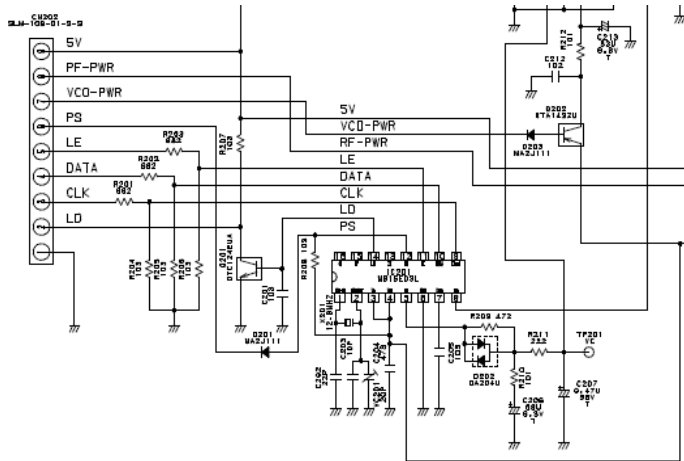
2.Description of main feature of circuit

(1)Stabilization of frequency

Oscillation method :PLL synthesized

The stabilization of this oscillation method relies on crystal oscillator performance.

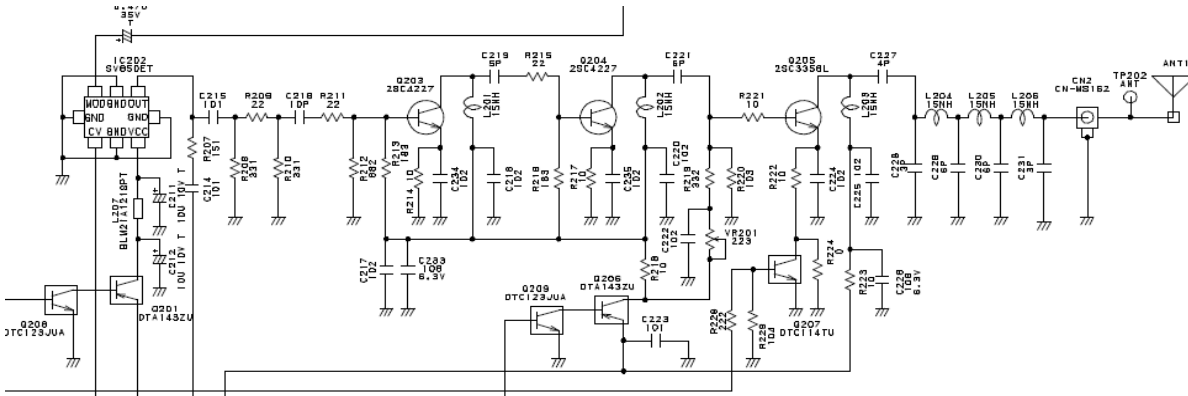
Its accepting range is frequency deviation plus-minus 10ppm or less,under -10 degree to +60 degree temperature by using Tokyo Denpa made crystal oscillator.



(2)How to reduce the spurious radiation

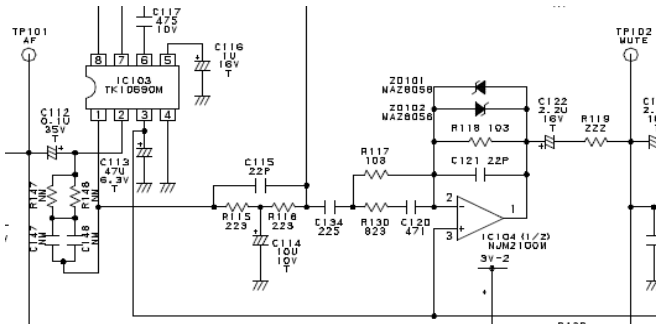
In order to suppress the radiation,L/C filter is positioned after current amplification part.

It is low passed filter which forms pie shape with third layered.

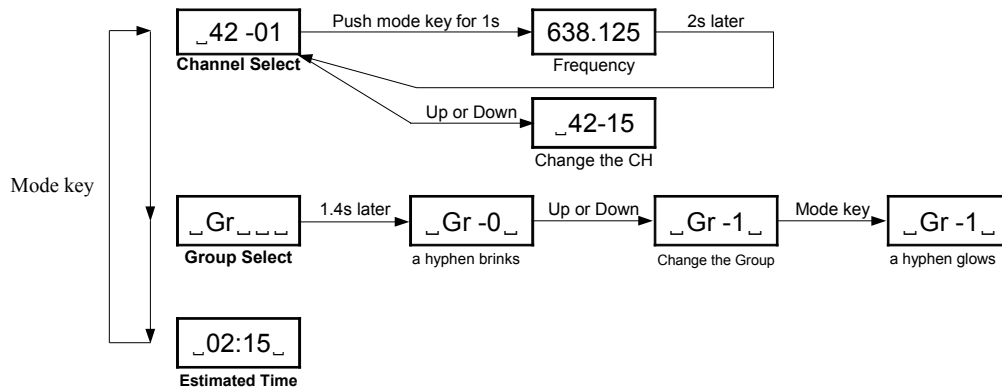


(3)Restriction of Audio modulation

In order to restrict audio modulation,diode limiter circuit(ZD101,ZD102) is put into pre-emphasis circuit.



4. Operating Menu



[Channel Select mode]

Select the channel by Up or Down key.

(The frequency will be displayed by pushing a mode key for 1s)

[Group Select mode]

1. Select the group by Up or Down key when a hyphen blinks.
2. The selected group will be enabled by pushing a mode key. (a hyphen glows)

[Estimated Time]

Displays the estimated time from the first power on.

5.List of frequency and group

[GR-0]

Frequency	Display	Frequency	Display	Frequency	Display	Frequency	Display
638.125	42 - 01	644.125	43 - 01	650.125	44 - 01	656.125	45 - 01
638.250	42 - 02	644.250	43 - 02	650.250	44 - 02	656.250	45 - 02
638.375	42 - 03	644.375	43 - 03	650.375	44 - 03	656.375	45 - 03
638.500	42 - 04	644.500	43 - 04	650.500	44 - 04	656.500	45 - 04
638.625	42 - 05	644.625	43 - 05	650.625	44 - 05	656.625	45 - 05
638.750	42 - 06	644.750	43 - 06	650.750	44 - 06	656.750	45 - 06
638.875	42 - 07	644.875	43 - 07	650.875	44 - 07	656.875	45 - 07
639.000	42 - 08	645.000	43 - 08	651.000	44 - 08	657.000	45 - 08
639.125	42 - 09	645.125	43 - 09	651.125	44 - 09	657.125	45 - 09
639.250	42 - 10	645.250	43 - 10	651.250	44 - 10	657.250	45 - 10
639.375	42 - 11	645.375	43 - 11	651.375	44 - 11	657.375	45 - 11
639.500	42 - 12	645.500	43 - 12	651.500	44 - 12	657.500	45 - 12
639.625	42 - 13	645.625	43 - 13	651.625	44 - 13	657.625	45 - 13
639.750	42 - 14	645.750	43 - 14	651.750	44 - 14	657.750	45 - 14
639.875	42 - 15	645.875	43 - 15	651.875	44 - 15	657.875	45 - 15
640.000	42 - 16	646.000	43 - 16	652.000	44 - 16	658.000	45 - 16
640.125	42 - 17	646.125	43 - 17	652.125	44 - 17	658.125	45 - 17
640.250	42 - 18	646.250	43 - 18	652.250	44 - 18	658.250	45 - 18
640.375	42 - 19	646.375	43 - 19	652.375	44 - 19	658.375	45 - 19
640.500	42 - 20	646.500	43 - 20	652.500	44 - 20	658.500	45 - 20
640.625	42 - 21	646.625	43 - 21	652.625	44 - 21	658.625	45 - 21
640.750	42 - 22	646.750	43 - 22	652.750	44 - 22	658.750	45 - 22
640.875	42 - 23	646.875	43 - 23	652.875	44 - 23	658.875	45 - 23
641.000	42 - 24	647.000	43 - 24	653.000	44 - 24	659.000	45 - 24
641.125	42 - 25	647.125	43 - 25	653.125	44 - 25	659.125	45 - 25
641.250	42 - 26	647.250	43 - 26	653.250	44 - 26	659.250	45 - 26
641.375	42 - 27	647.375	43 - 27	653.375	44 - 27	659.375	45 - 27
641.500	42 - 28	647.500	43 - 28	653.500	44 - 28	659.500	45 - 28
641.625	42 - 29	647.625	43 - 29	653.625	44 - 29	659.625	45 - 29
641.750	42 - 30	647.750	43 - 30	653.750	44 - 30	659.750	45 - 30
641.875	42 - 31	647.875	43 - 31	653.875	44 - 31	659.875	45 - 31
642.000	42 - 32	648.000	43 - 32	654.000	44 - 32	660.000	45 - 32
642.125	42 - 33	648.125	43 - 33	654.125	44 - 33	660.125	45 - 33
642.250	42 - 34	648.250	43 - 34	654.250	44 - 34	660.250	45 - 34
642.375	42 - 35	648.375	43 - 35	654.375	44 - 35	660.375	45 - 35
642.500	42 - 36	648.500	43 - 36	654.500	44 - 36	660.500	45 - 36
642.625	42 - 37	648.625	43 - 37	654.625	44 - 37	660.625	45 - 37
642.750	42 - 38	648.750	43 - 38	654.750	44 - 38	660.750	45 - 38
642.875	42 - 39	648.875	43 - 39	654.875	44 - 39	660.875	45 - 39
643.000	42 - 40	649.000	43 - 40	655.000	44 - 40	661.000	45 - 40
643.125	42 - 41	649.125	43 - 41	655.125	44 - 41	661.125	45 - 41
643.250	42 - 42	649.250	43 - 42	655.250	44 - 42	661.250	45 - 42
643.375	42 - 43	649.375	43 - 43	655.375	44 - 43	661.375	45 - 43
643.500	42 - 44	649.500	43 - 44	655.500	44 - 44	661.500	45 - 44
643.625	42 - 45	649.625	43 - 45	655.625	44 - 45	661.625	45 - 45
643.750	42 - 46	649.750	43 - 46	655.750	44 - 46	661.750	45 - 46
643.875	42 - 47	649.875	43 - 47	655.875	44 - 47	661.875	45 - 47

[GR-1 ~ 6]

Group Disp - Freq.	CH 01	CH 02	CH 03	CH 04	CH 05	CH 06	CH 07	CH 08	CH 09	CH 10	CH 11	CH 12
GR 1	638.625	639.750	641.125	643.125	643.875	645.500	646.000	647.750	648.625	649.000	649.250	
GR 2	644.125	644.625	645.375	647.125	647.500	648.500	649.125	649.375				
GR 3	638.375	639.625	640.250	641.250	642.625	643.000	643.500	643.750				
GR 4	650.625	651.750	653.125	655.125	655.875	657.500	658.000	659.750	660.625	661.000	661.250	
GR 5	656.125	656.625	657.375	659.125	659.500	660.500	661.125	661.375				
GR 6	650.375	651.625	652.250	653.250	654.625	655.000	655.500	655.750				
Group Disp - CH.	CH 01	CH 02	CH 03	CH 04	CH 05	CH 06	CH 07	CH 08	CH 09	CH 10	CH 11	CH 12
GR 1	42 - 05	42 - 14	42 - 25	42 - 41	42 - 47	43 - 12	43 - 16	43 - 30	43 - 37	43 - 40	43 - 42	
GR 2	43 - 01	43 - 05	43 - 11	43 - 25	43 - 28	43 - 36	43 - 41	43 - 43				
GR 3	42 - 03	42 - 13	42 - 18	42 - 26	42 - 37	42 - 40	42 - 44	42 - 46				
GR 4	44 - 05	44 - 14	44 - 25	44 - 41	44 - 47	45 - 12	45 - 16	45 - 30	45 - 37	45 - 40	45 - 42	
GR 5	45 - 01	45 - 05	45 - 11	45 - 25	45 - 28	45 - 36	45 - 41	45 - 43				
GR 6	44 - 03	44 - 13	44 - 18	44 - 26	44 - 37	44 - 40	44 - 44	44 - 46				