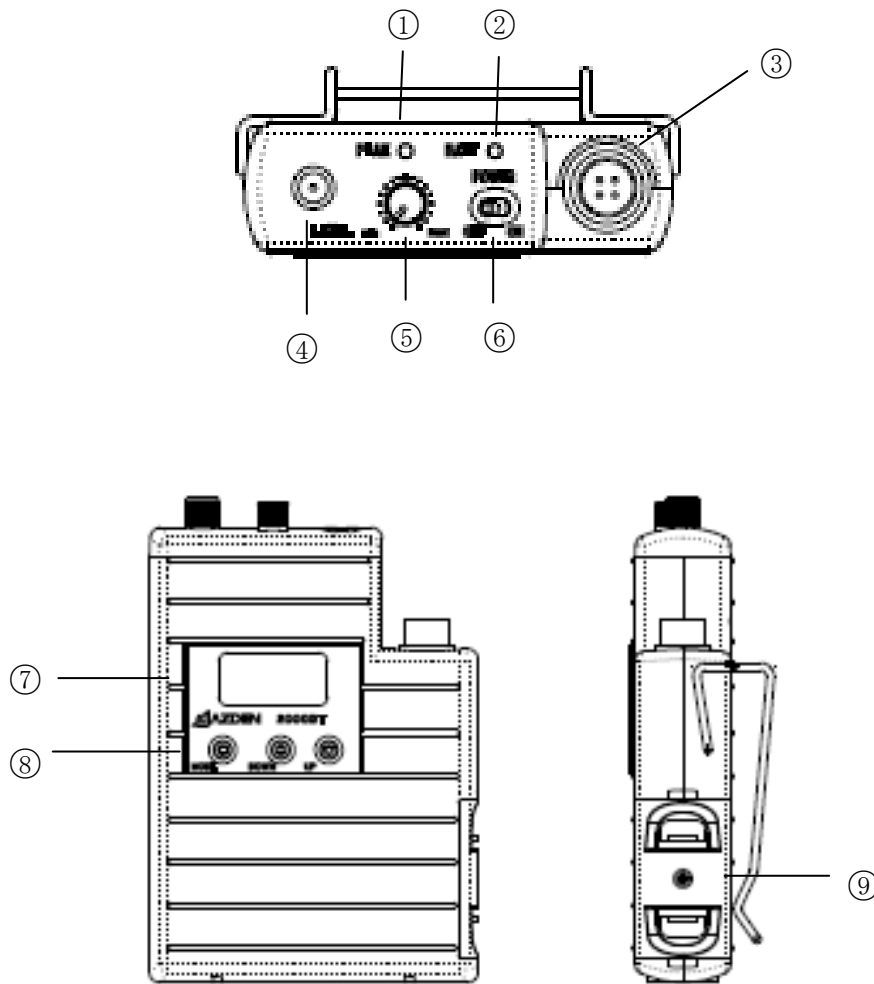


AZDEN 2000BT BODY-PACK TRANSMITTER

OPERATING MANUAL



① **Audio Frequency Peak indicator**

② **Battery Power indicator**

The indicator light will change from green to red when the batteries get weak. Replace the batteries.

③ **MIC Input Connector**

4-pin Hirose connector for microphone

④ **Antenna Connector**

⑤ **Volume Control**

⑥ **Power Switch**

⑦ **LCD Display**

Displays frequencies, channels, groups, and accumulated time.

⑧ **MODE, DOWN, and UP Switches**

Change modes, channels and groups

⑨ **Battery Compartment**

Holds 2 "AA" Alkaline batteries

SPECIFICATIONS

Frequencies:	638.125—661.875MHz (188 channels)
Type of Emission:	F3E FM
Oscillator:	Crystal-controlled PLL Synthesizer
RF Power Output:	50mW
Tone Signal:	32.768kHz
Noise Reduction:	Compander
Audio Input Level:	MIC: -60dBV
Impedance:	3.3k Ω
Power Requirement:	DC 3V (two "AA" alkaline batteries-not included)
Power Consumption:	Less that 130mA (3.0V)
Battery Life:	Approx. 8 hours with two "AA" alkaline batteries
Dimensions:	65W x 90H x 20D (mm)
Weight:	170 g (including batteries)

** Due to constant improvement of the products, the specifications may change without a notice.*



AZDEN CORPORATION

147 NEW HYDE PARK RD, FRANKLIN SQUARE, NY 11010

PHONE: 516-328-7500 FAX: 516-328-7506

EMAIL: sales@azdencorp.com WEBSITE: azdencorp.com