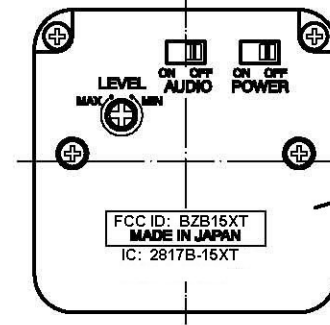
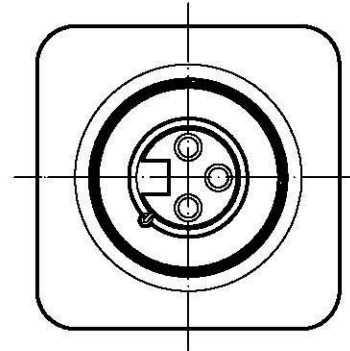
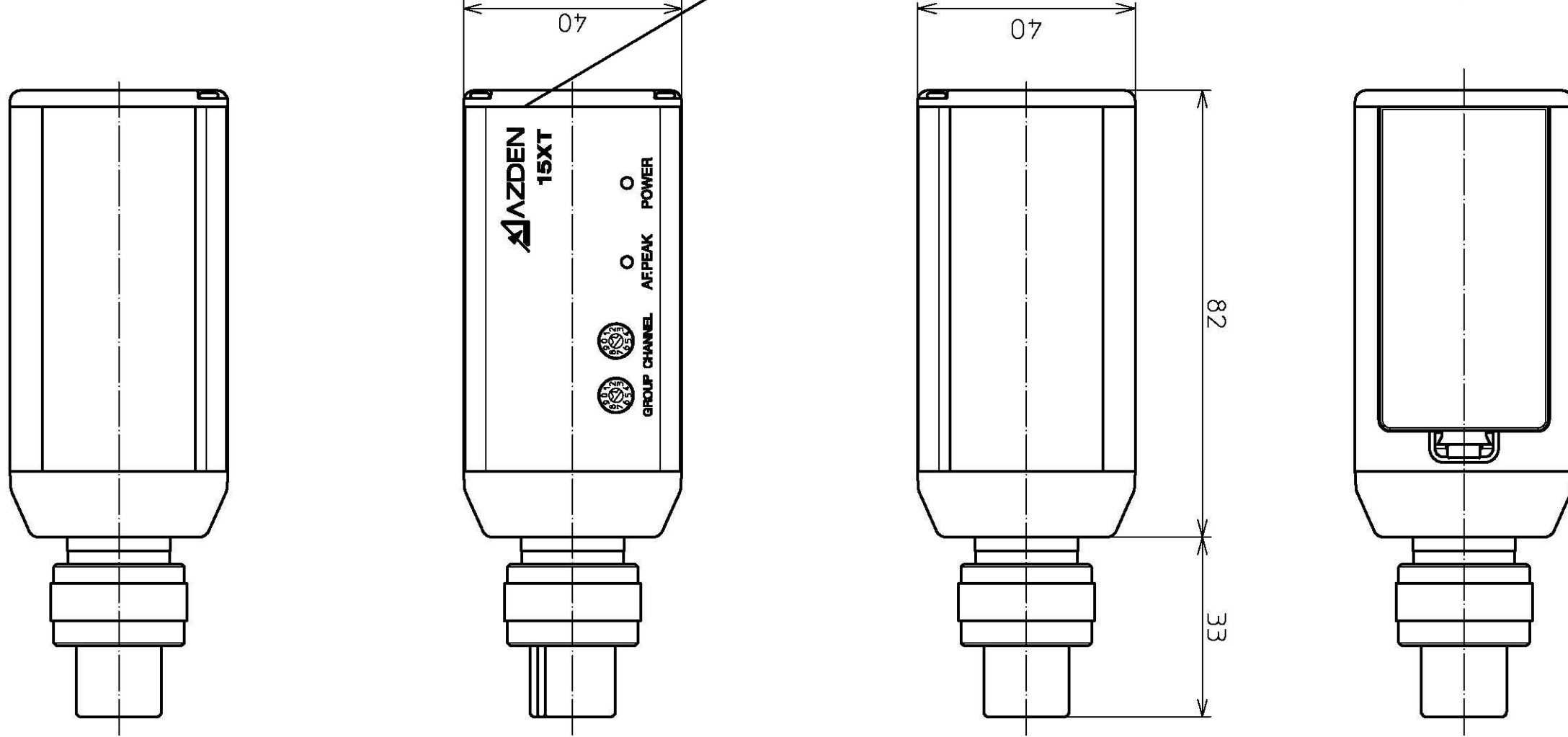


SYMBOL		REVISION RECORD		DATE	BY
MATERIAL		AZDEN CORPORATION アズデン株式会社			
FINISH		TITLE 外形図			
USED ON		DRAWING NO 060-3XXXX			
DRAWN		CHECKED	CHECKED	CHECKED	080716
ANGLE		APPROVED	CHECKED	CHECKED	池戸
UNIT		SCALE			
mm		1/1			

BRAND NAME AND MODEL NUMBER
PLACEMENT



LABEL LOCATION



060-3XXXX