

1. Voltage and current of RF part

Tr Q 301 [ 2 S C 4 2 2 7 ]

	Low (CH01 )	Mid(CH 4 7 )	High(CH 9 2 )
Vce	4 V	4 V	4 V
Ic (mA)	12 mA	12 mA	10 mA

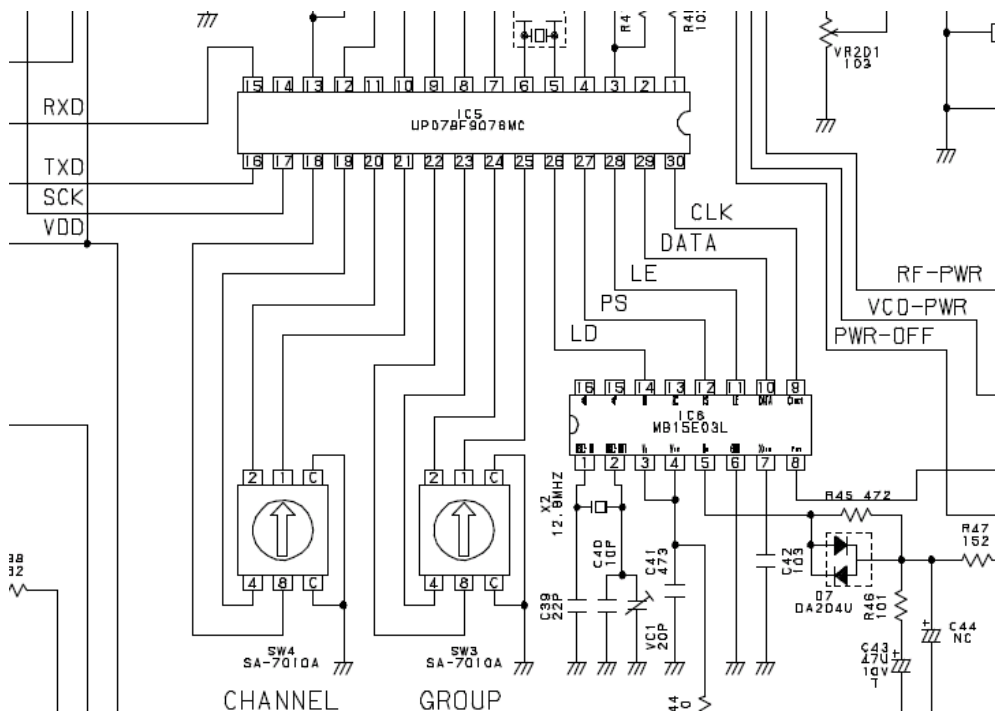
2. Description of main feature of circuit

(1) Stabilization of frequency

Oscillation method: PLL synthesized

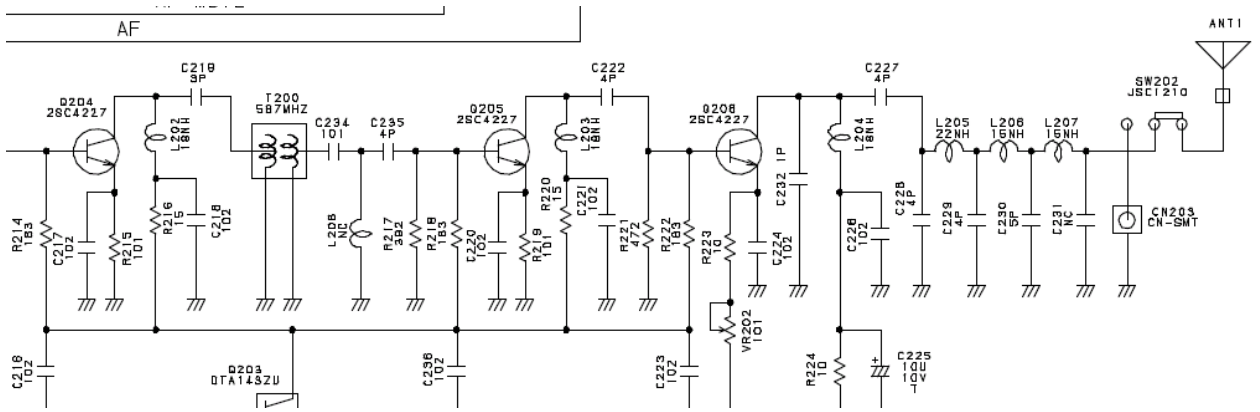
The stabilization of this oscillation method relies on crystal oscillator performance.

Its accepting range is frequency deviation plus-minus 10PPM or less, under the environment temperature 10 degree to plus 60 degree under using Tokyo Denpa made crystal oscillator.



(2) How to reduce the spurious radiation

In order for us to suppress the radiation, LC constructed filter is positioned after currency amplification part. It is low passed filter which forms π shape with third layered.



### (3)Restriction of Audio modulation

In order to restrict audio modulation, diode limiter circuit is put into the output side of AF low passed filter circuit.

