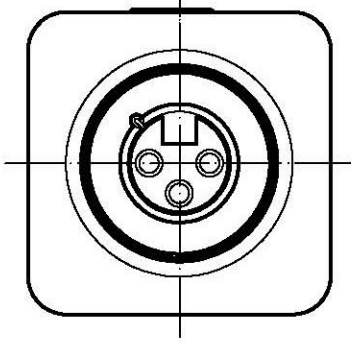
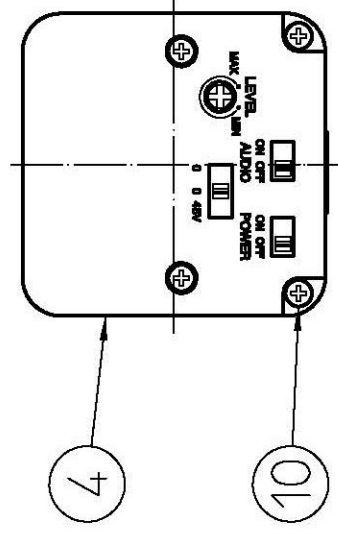
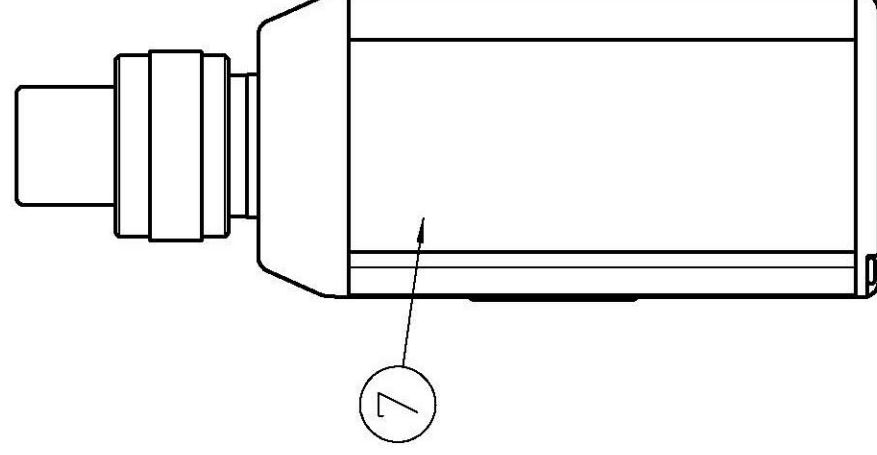
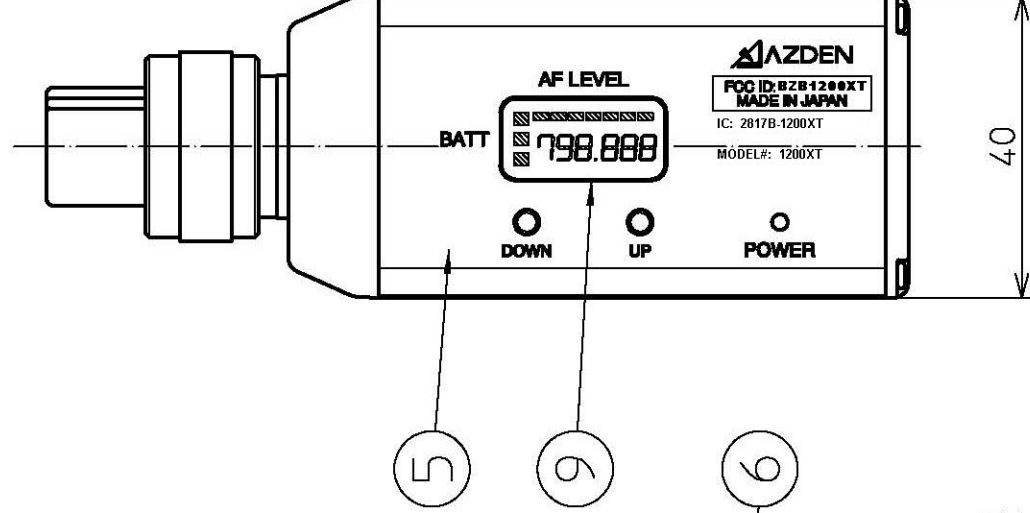
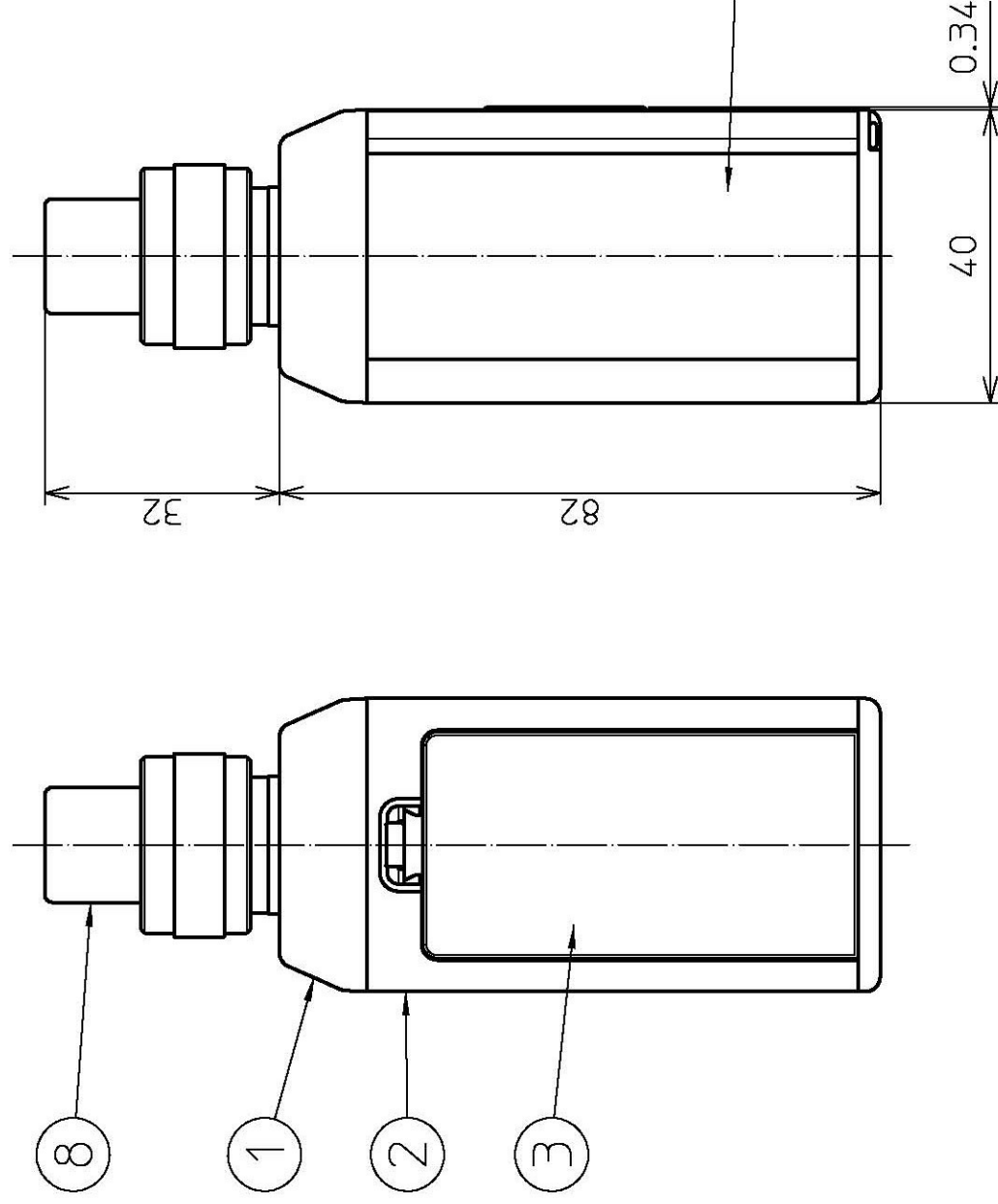


LL05E-090



No.	DISCRIPTION	PART NUMBER	Q'TY	MATERIAL	FINISH	REMARK
1	TOP MOLD	060-35079-01	1	ABS BLACK		
2	BATTERY CASE	060-25088-01	1	ABS BLACK		
3	BATTERY COVER	060-35080-01	1	ABS BLACK		
4	BOTTOM COVER	060-35081-01	1	ABS BLACK	SILK-P	
5	SIDE PANEL	060-49115-01	1	A6063S-T5	B-ALMITE SILK-P	
6	REAR NAME PLATE	060-49117-01	1	ALP 0.5T	B-ALMITE	
7	REAR NAME PLATE	060-49117-02	1	ALP 0.5T	B-ALMITE SILK-P	
8	XLR CONNECTOR	050-47517-01	1			NC3FX-SPEC
9	FRONT FILTER	060-48763-01	1			
10	M2X6 PAN SCREW	097-40079F05	4	SWR	MFZN2-B	



SYMBOL	REVISION	RECORD	DATE	BY
MATERIAL	AZDEN CORPORATION アズデン株式会社			
FINISH	外形図 APPEARANCE			
USED ON	033-536	DRAWING NO	060-35077	

DRAWN	CHECKED	CHECKED	APPROVED	SCALE	ANGLE	UNIT
池戸				1/1	3rd	mm
080424						