

1. Voltage and Currency at RF part

T r Q 206 [2 S C 4 2 2 7]

	Low (CH42-01)	Mid(CH43-47)	High(CH45-47)
Vce	3.8 V	3.5 V	3.7 V
Ic (mA)	13 mA	13 mA	11 mA

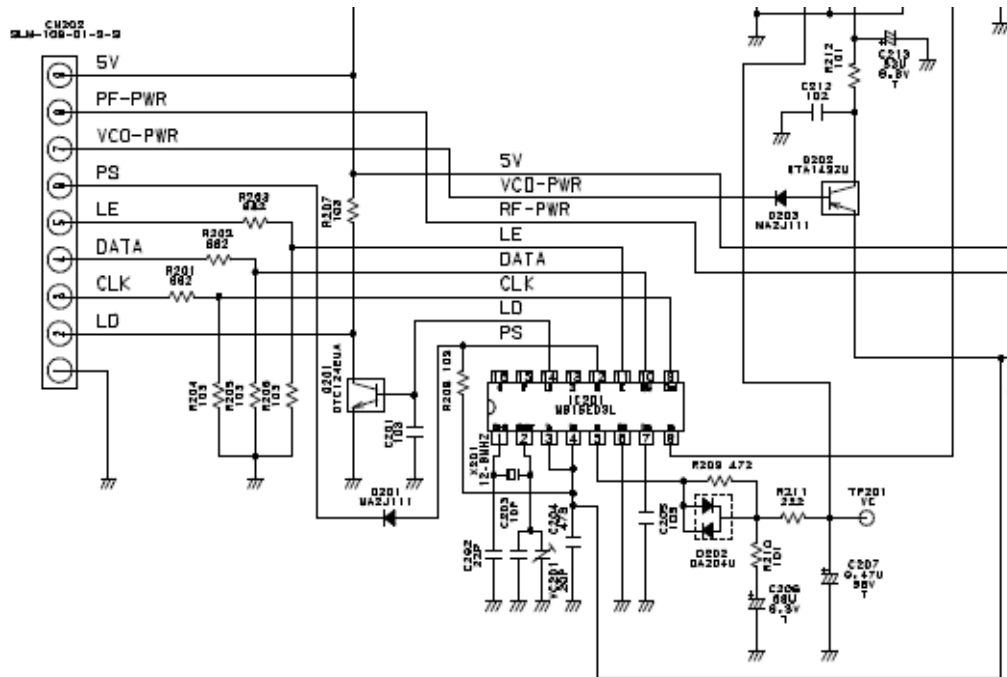
2. Description of main feature of circuit

(1) Stabilization of Frequency

Oscillating Method : PLL synthesized

The stability of this oscillating method relies on the performance of crystal oscillator.

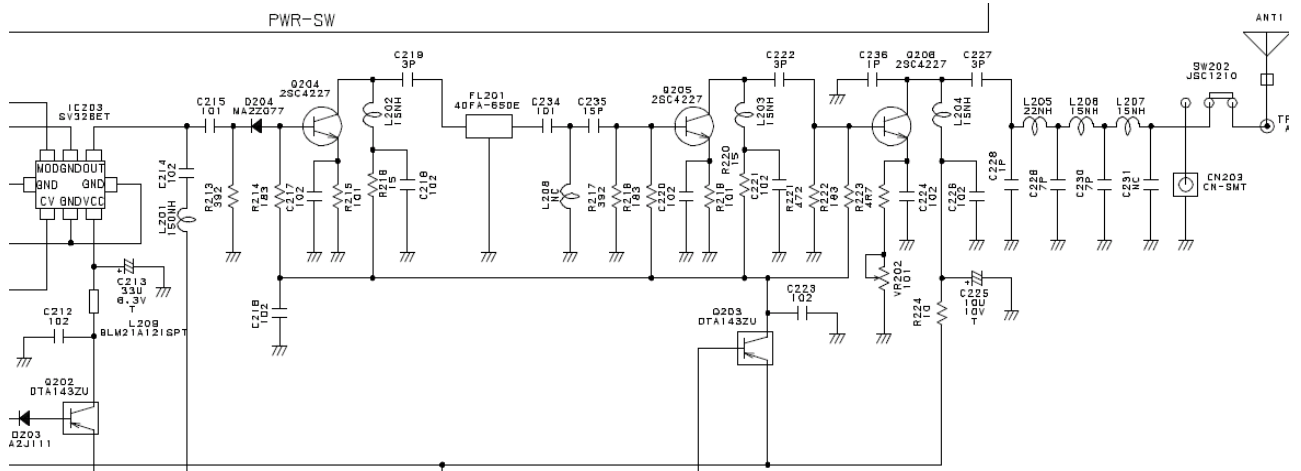
We adopted in the 1200XT Tokyo Denpa made crystal which had the frequency deviation ± 10PPM or less than that under the environmental temperature -10°C ~ +60°C.



(2) Reducing Spurious modulation

In order for us to suppress the radiation, "LC" constructed dielectric filter is positioned behind the currency amplification part.

This π type, tri-level filter works as a low passed filter.



(3) Limiting Audio Modulation

Modulation limiting circuit made of diode is positioned in the side of the output part of AF low passed filter circuit in order to restrict the audio modulation.

