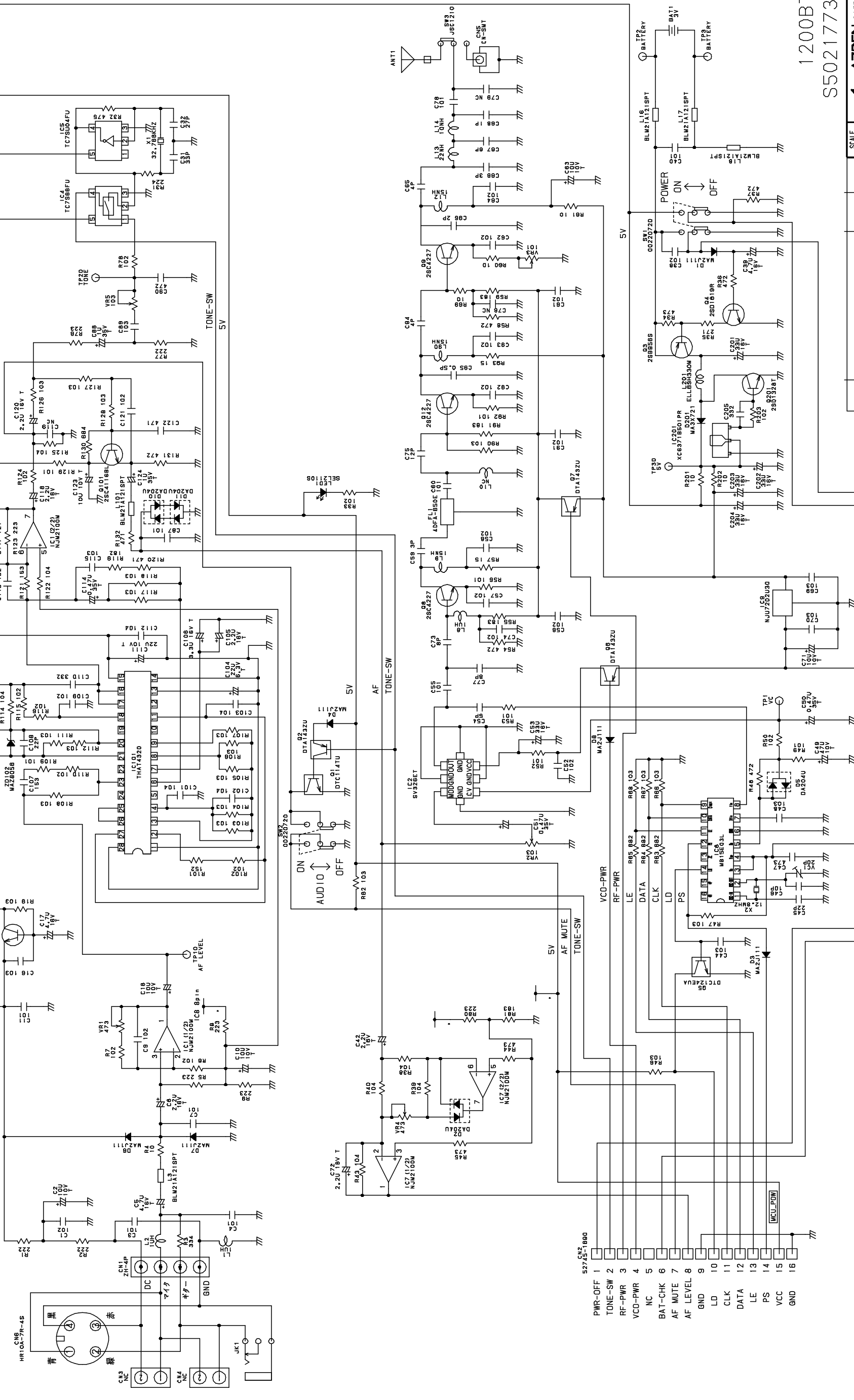


5021773-05

1 2 3 4 5 6 7 8 9 10 11



1200BT (AC)
S5021773FCC2

SCALE	FREE	DATE	BY	UNIT	MM
SYMBOL	REVISION	CHECKED	APPROVED	MATERIAL	FINISH
DRAWN	藤丸	33-533	55-711	USED ON	
TITLE			SCHEMATIC DIAGRAM		
DRAWING NO			50-21773		

52745-1800	PWR-OFF	1
	TONE-SW	2
	RF-PWR	3
	VCO-PWR	4
	NC	5
	BAT-CHK	6
	AF MUTE	7
	AF LEVEL	8
	GND	9
	LD	10
	CLK	11
	DATA	12
	LE	13
	PS	14
	VCC	15
	GND	16