

AZDEN 10HT INSTRUCTIONS

10HT Handheld microphone transmitter with 63 on-board user selectable UHF frequencies. Ideal for all vocal applications.

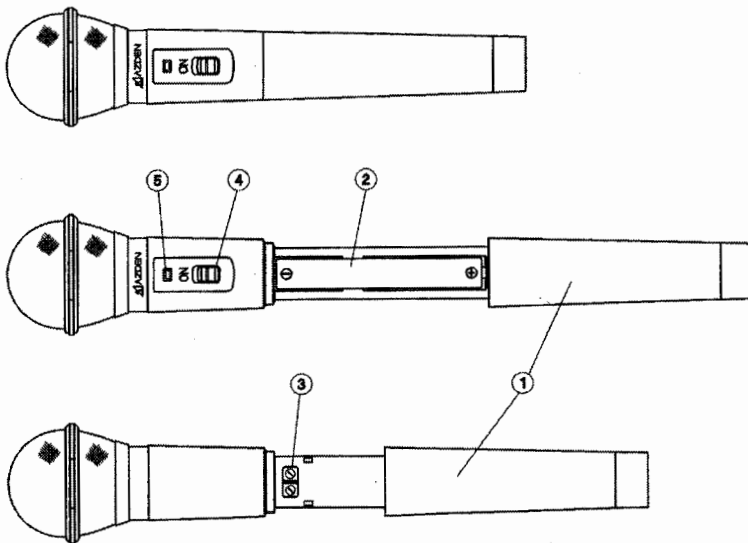
(1) To install batteries, turn the bottom half of the mic case counterclockwise until it is completely off.

(2) Insert one fresh alkaline “AA” batterie into the compartment. Make sure battery polarity is correct.

(3) Frequency select

The group knob allows you to select any of seven frequency groups (numbered from 0-6). The channel knob allows you to select any of nine frequency channels (numbered 0-8) within the selected group.

Replace bottom half of microphone case and turn clockwise until snug. **DO NOT OVER TIGHTEN.**



(4) 2 Position switch

The bottom position is “Off” and the top position is “On”. Turning the transmitter Off will cause the receiver to mute due to the tone squelch circuitry at the receiver. This allows the mic to be handled with no noise.

(5) LED Indicator turns green when turned on. This LED will also turn red to indicate that the battery level is low and the batteries must be changed.