
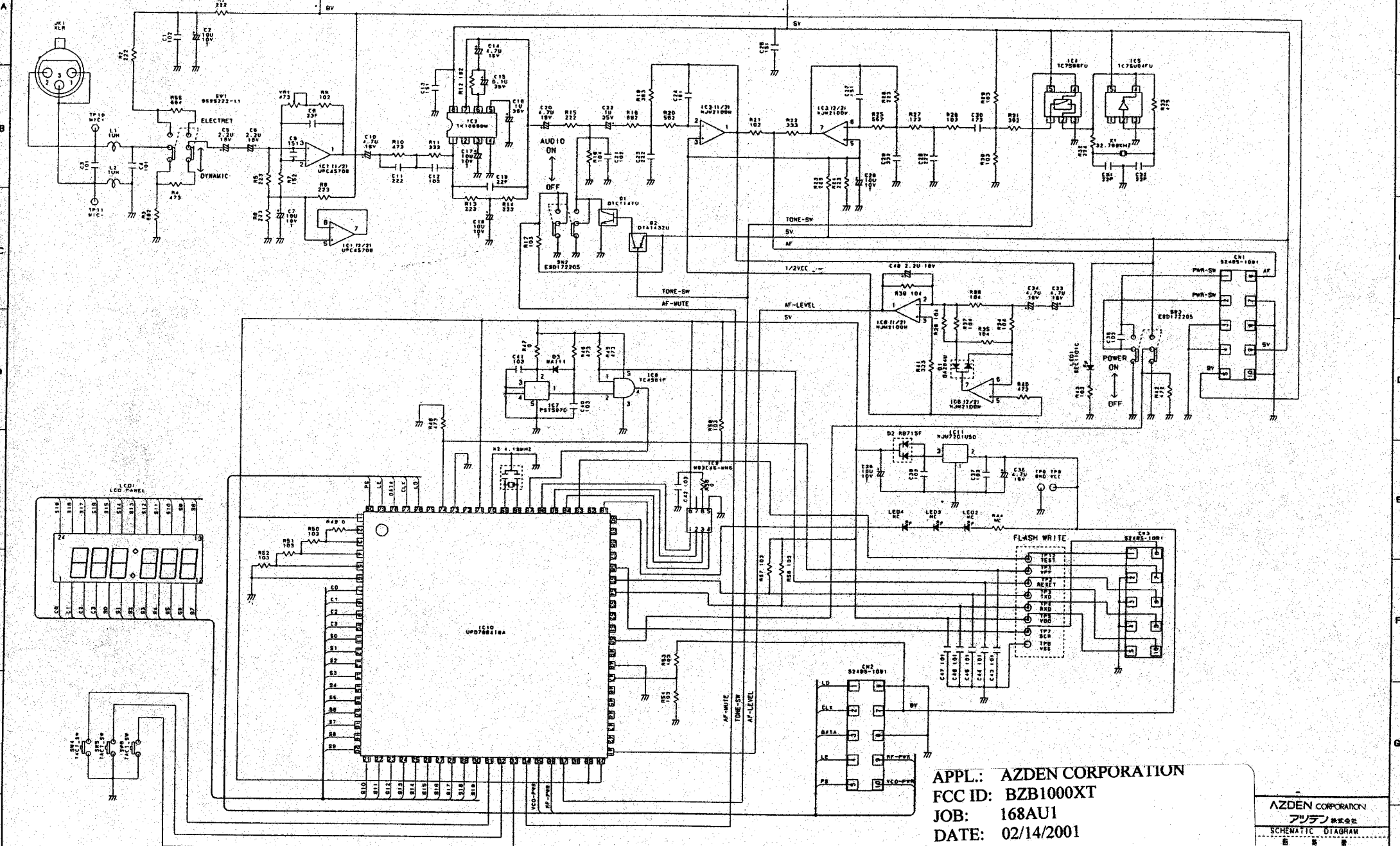


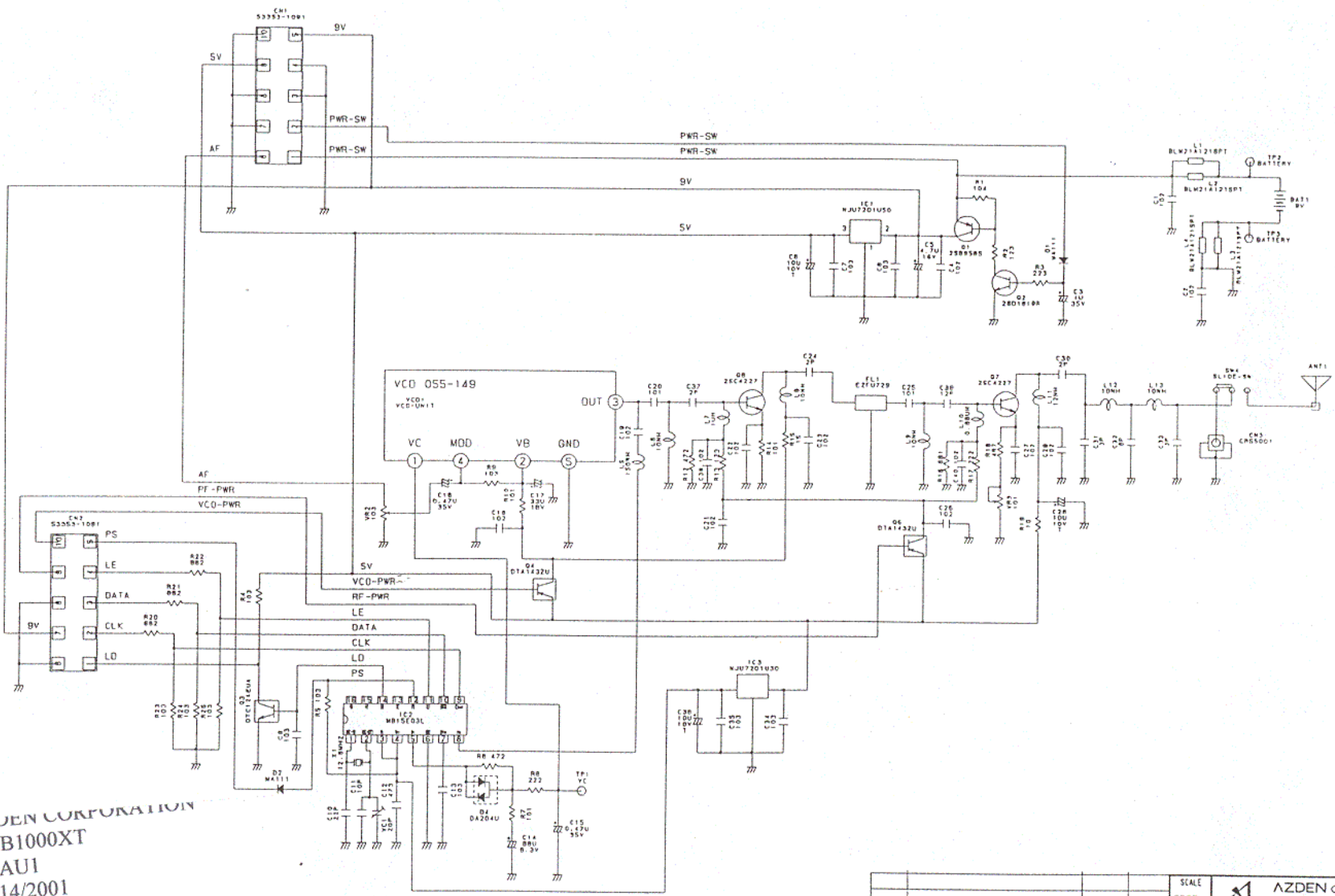
APPL.: AZDEN CORPORATION
 FCC ID: BZB1000XT
 JOB: 168AU1
 DATE: 02/14/2001
 PART: 74
 Exhibit **3A**

						SCALE	 AZDEN CORPORATION アジデン 株式会社
SYMBOL		REVISION	RECORD	DATE	BY	UNIT	
DRAWN	CHECKED	CHECKED	APPROVED	MATERIAL	ANGLE	mm	DRAWING NO
				FINISH	USED ON		



APPL.: AZDEN CORPORATION
 FCC ID: BZB1000XT
 JOB: 168AU1
 DATE: 02/14/2001
 PART: 74
 Exhibit 3B

AZDEN CORPORATION	
アズデン 株式会社	
SCHEMATIC DIAGRAM	
50-21552	
00.09.12	



APPL.: AZDEN CORPORATION
 FCC ID: BZB1000XT
 JOB: 168AU1
 DATE: 02/14/2001
 PART: 74 3C
 Exhibit
 AZDEN CORPORATION

SYMBOL				REVISION	RECORD	DATE	BY	SCALE	FREE	AZDEN CORPORATION アズデン株式会社
DRWS	CHECKED	CHECKED	APPROVED	MATERIAL	ANGLE	UNIT	TITLE	SCHEMATIC DIAGRAM	図 案 書	
DR. 08. 11				FIBER	USED ON	SS-356	33-510	50-21553		DRAWING NO.
										00.09.11