

A

B

C

A

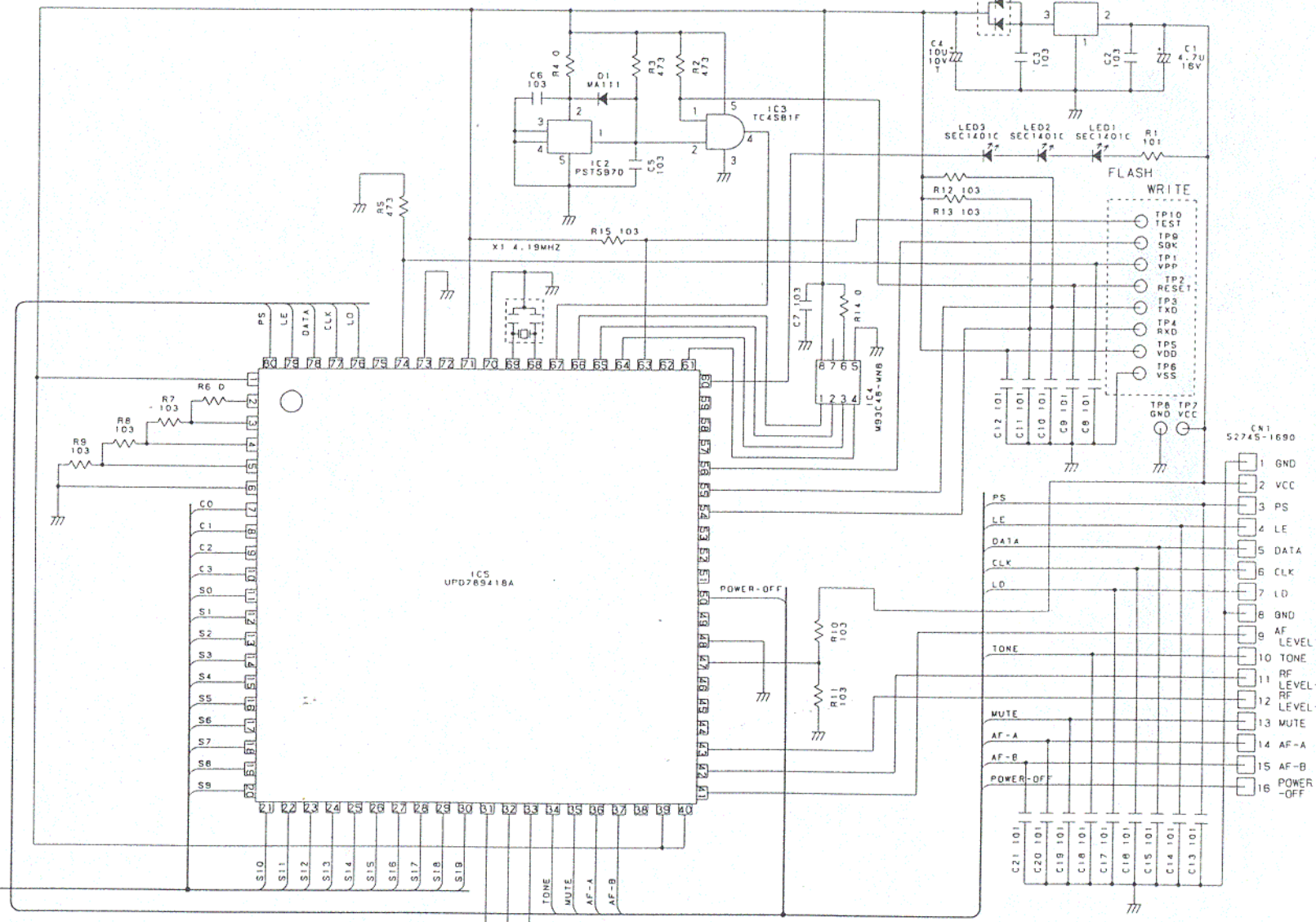
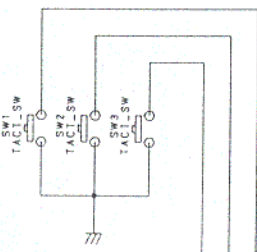
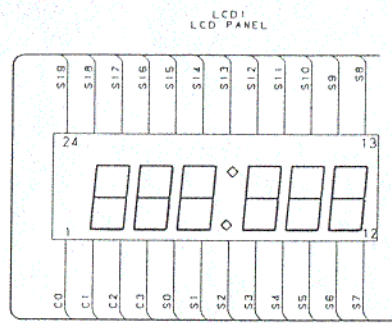
B

C

D

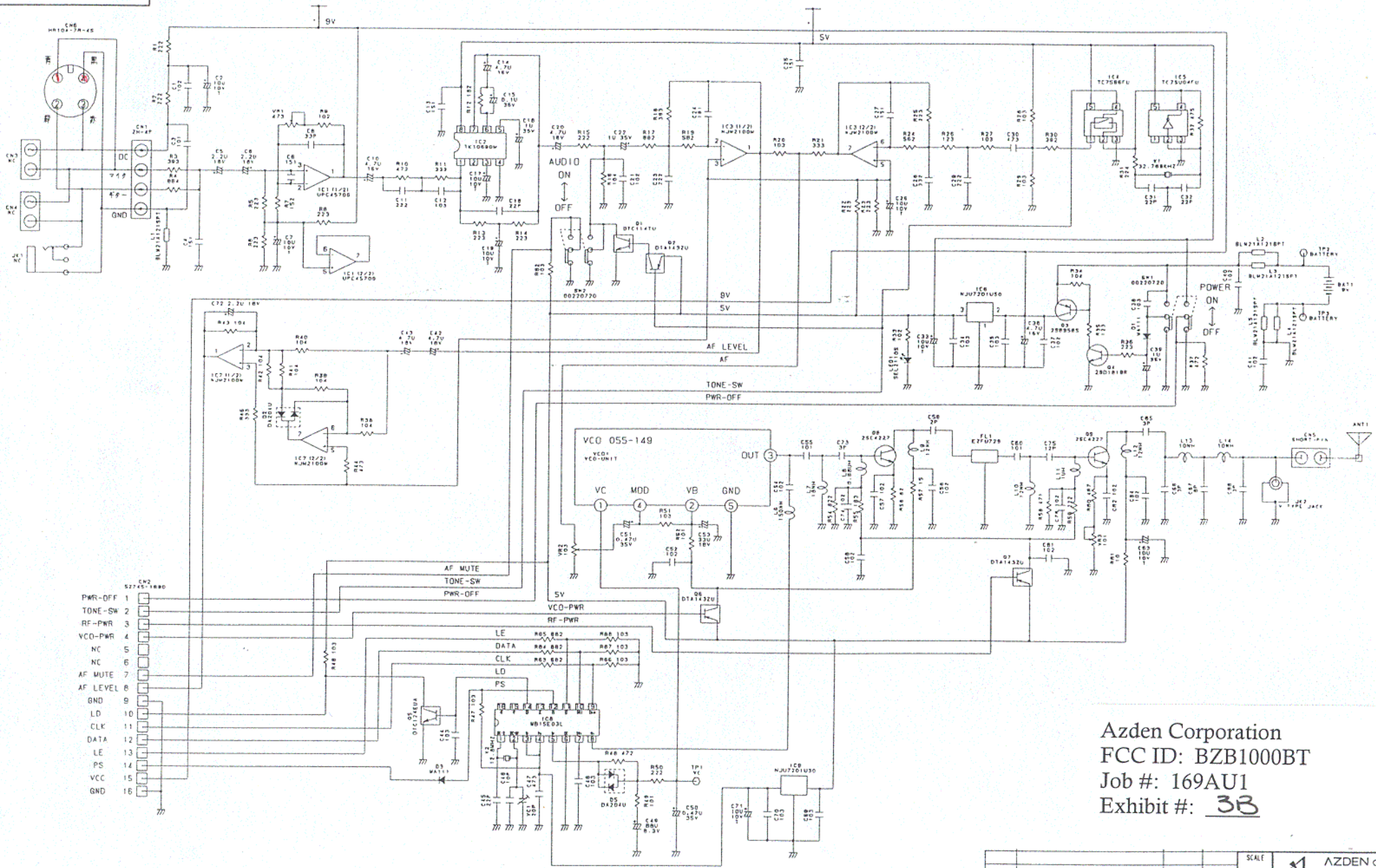
E

F



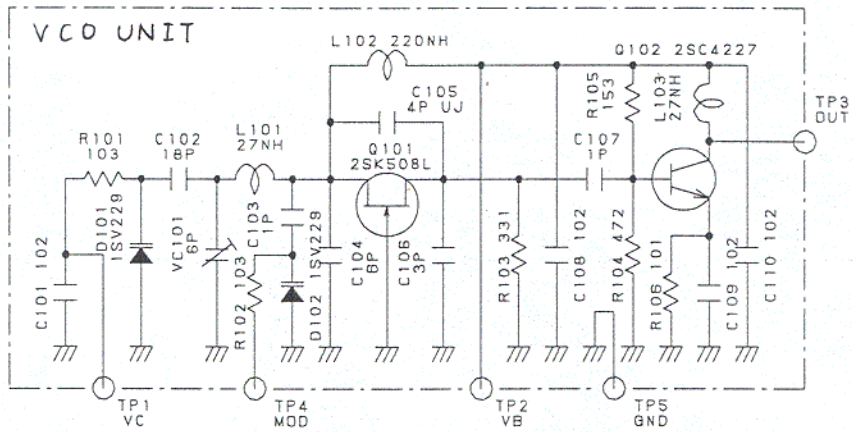
Azden Corporation
 FCC ID: BZB1000BT
 Job #: 169AU1
 Exhibit #: 3A

SYMBOL		REVISION		RECORD	DATE	BY	SCALE	AZDEN CORPORATION アズデン株式会社
DRAWN	CHECKED	CHECKED	APPROVED	MATERIAL	ANGLE	UNIT	FREE	
馬場				FINISH	3RD	MM		TITLE SCHEMATIC DIAGRAM
					USED ON	SS-3S1 66-516		DRAWING NO 50-32104




Azden Corporation
 FCC ID: BZB1000BT
 Job #: 169AU1
 Exhibit #: 33

SYMBOL		REVISION	RECORD	DATE	B1	SCALE	FREE	AZDEN CORPORATION アズデン株式会社
大野	CHECKED	CHECKED	APPROVED			ANGLE	3RD	
DC:08:21						USED BY	SS-352 33-50B	SCHEMATIC DIAGRAM
								DRAWING NO.
								50-21550



Azden Corporation
 FCC ID: BZB1000BT
 Job #: 169AU1
 Exhibit #: 3C

					SCALE	 AZDEN CORPORATION アズデン 株式会社
SYMBOL	REVISION		RECORD	DATE	BY	UNIT
DRAWN	CHECKED	CHECKED	APPROVED	MATERIAL	ANGLE	mm
				FINISH	USED ON	DRAWING NO