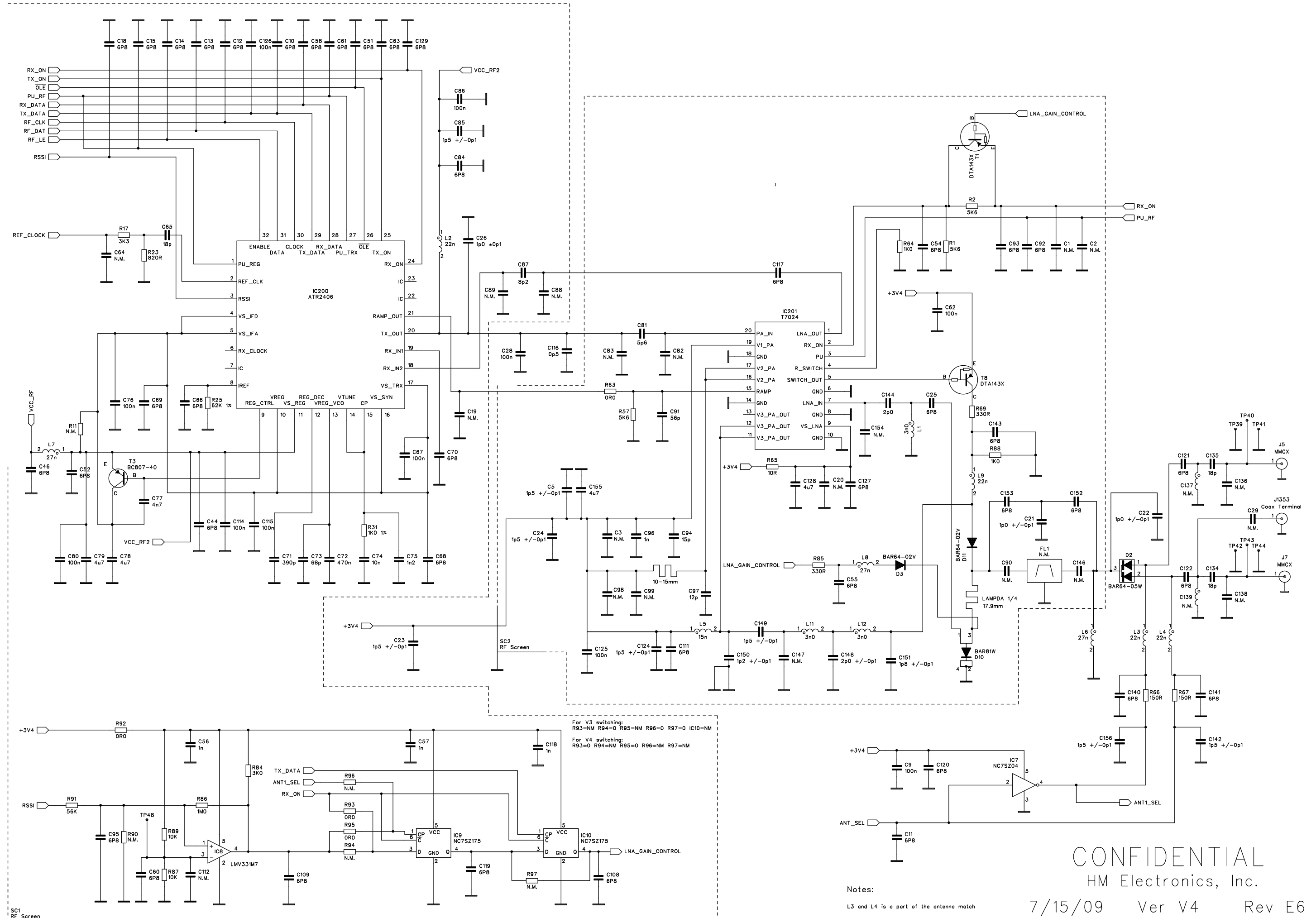
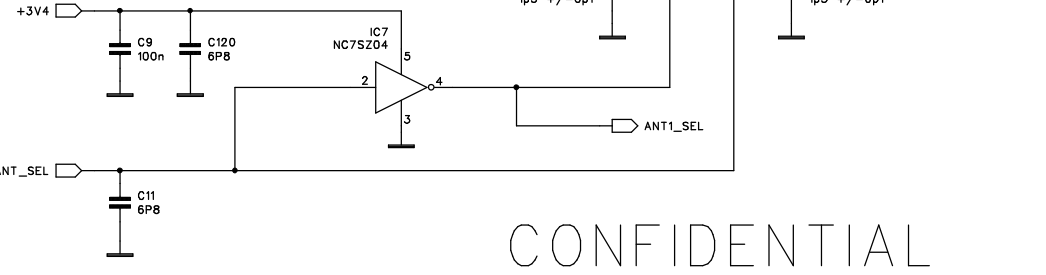


CONFIDENTIAL
HM Electronics, Inc.



For V3 switching:
R93=NM R94=0 R95=NM R96=0 R97=0 IC10=NM

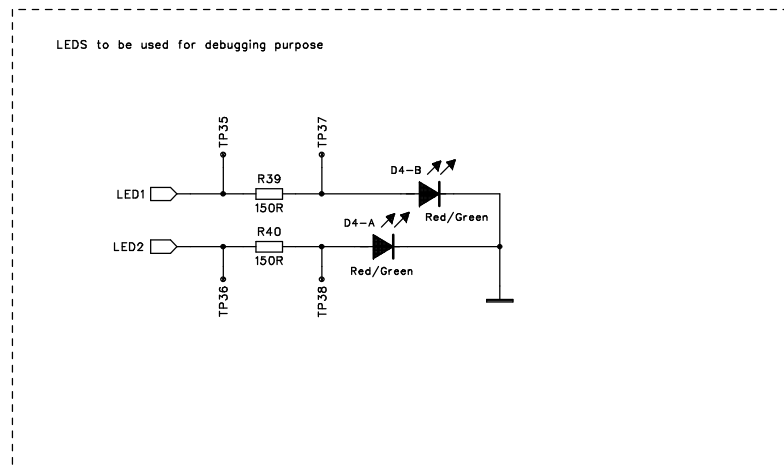
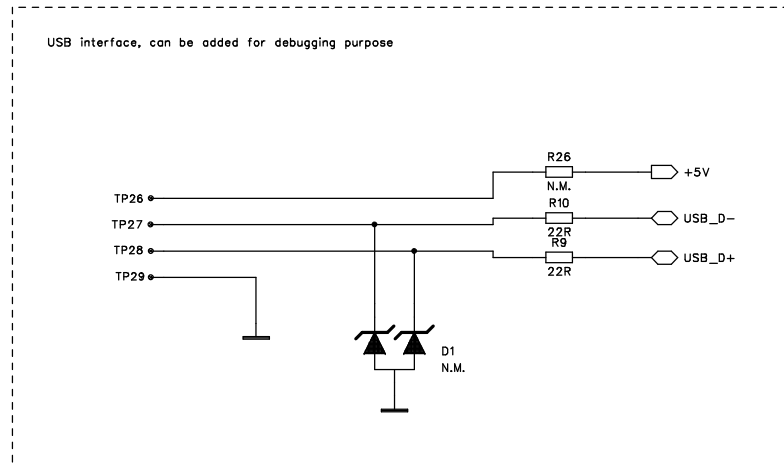
For V4 switching:
R93=0 R94=NM R95=0 R96=NM R97=NM



CONFIDENTIAL
HM Electronics, Inc.

Notes:
L3 and L4 is a part of the antenna match

MISC page



CONFIDENTIAL

HM Electronics, Inc.

7/15/09 Ver V4 Rev E6

XCVR6K1 Page 3 of 3