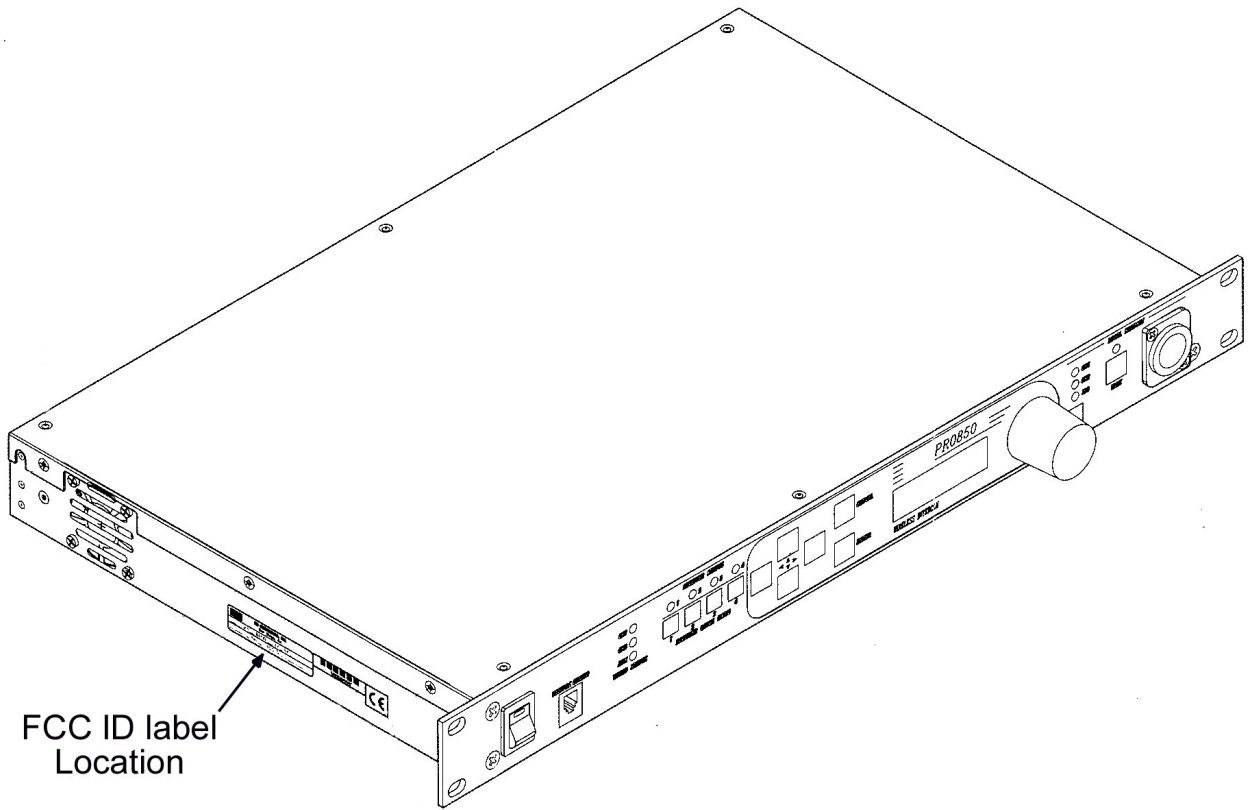


HM Electronics, Inc. PRO850 Base Station (BS850) FCC ID label:

| | | |
|------------|--|-------------|
| HME | HM ELECTRONICS, INC San Diego, Ca USA | MADE IN USA |
| BS850 | S/W_ BAND:___ TX_ RX_ | |
| K___ Rev__ | FCC ID: BYMBS850 | |



FCC ID label
Location