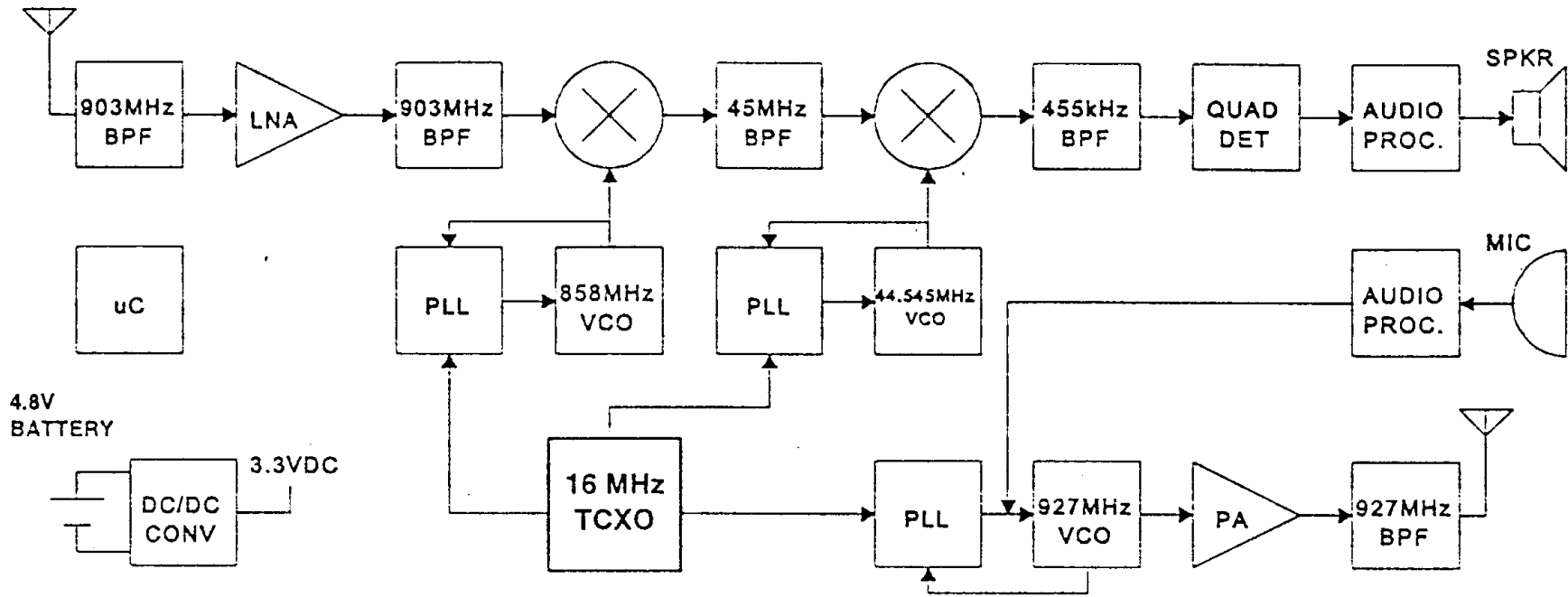


7. Block Diagram showing the frequency of all oscillators



COM900BP Block Diagram