

The AC70 Battery Charger can charge up to four BAT70 lithium-ion batteries at the same time. LEDs at the charging ports indicate battery status. Charge time is two hours. The AC70 can be used on a desktop or mounted on a wall.

TOOLS/EQUIPMENT REQUIRED (for wall mounting only)

- Drill and drill bits (~ 3/16th inch (4.76 mm))
- Screwdriver (Phillips #2)
- Safety Glasses

INSTALLATION AND SETUP

Note: The AC70 is wireless and requires close physical proximity to communicate with the Base Station/Remote Transceiver.

Desktop instructions:




1. Place the AC70 on a level desktop or shelf.
2. Connect the power adapter to a wall outlet, and the other end to the power connector on the AC70 (Fig. 1).

Wall mount instructions:

1. Drill two holes two inches apart along a vertical axis on the wall (avoid electrical or plumbing obstructions).
2. Install the provided hardware but do not tighten, leave a gap (~ 1/8th inch (3.2 mm)) between the screw heads and wall.
3. Align the AC70 mounting holes with the two screws (Fig. 2).
4. Mount the AC70 over the screw heads until flush against the wall, then slide it down onto the screws to secure it in place.

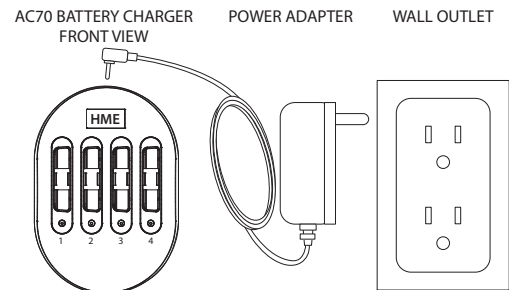
OPERATION

1. Connect the power adapter to a wall outlet, and the other end to the power connector on the AC70 (Fig. 1).
2. Position the BAT70 battery correctly for insertion into the AC70.
3. Insert the BAT70 battery into a vacant port to begin charging. LED activity indicates battery status (see table below).

Battery Charger LED Reference Table		
LED	Color	Status/Description
	Green	Flashing Green = Charging Solid Green = Fully charged
	Red	Flashing Red = Incompatible battery
	Red/Yellow	Flashing Red & Yellow (alternating) = Fault condition



* Batteries shown in image are not included



Note: Only use the HME approved Power Adapter provided with your AC70

Fig. 1

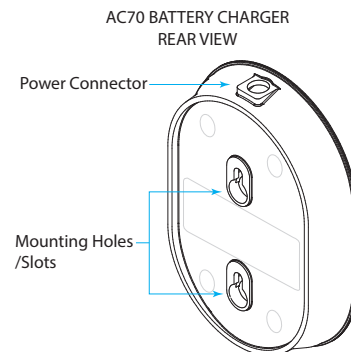


Fig. 2

CHANGING POWER SUPPLY ADAPTER

1. Replace a power adapter to match your country's outlet by using your thumb and forefinger to squeeze in on both sides of the latch (see Fig. 3).
2. Continue squeezing latch and slide the adapter out, away from the power supply to remove.
3. Release the latch and slide another adapter on until it bottoms out and the latch clicks to secure it in place.

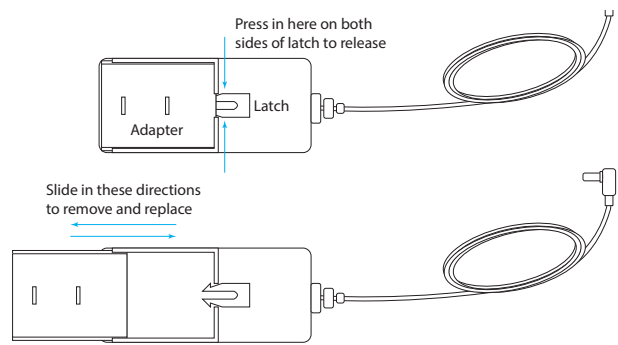


Fig. 3

TECHNICAL SPECIFICATIONS

Power Supply: Wall plug with switchable adapters

Input Voltage: 100 - 240VAC nominal

Output Voltage: 5V; 4A

MTBF (min.): 300,000 hours demonstrated

AC70 Battery Charger

Input Voltage: 5V; 4A

Charge Output: ~ 3W per port

Temperature

Operating: 32°F - +122°F (0°C - +50°C)

Storage: -40°F - +176°F (-40°C - +80°C)

Humidity: 0 - 95%, non-condensing

Dimensions

5.0in L x 3.5in W x 1.8in H
(127mm x 88.9mm x 45.72mm)

Weight

0.373lb (0.169kg)

Wireless PAN

2.4GHz Wireless Technology

REGULATORY AND SAFETY

REGULATORY COMPLIANCE

Applicant Name: HM Electronics, Inc.
Applicant Address: 2848 Whiptail Loop, Carlsbad CA 92010, United States
Manufacturer Name: HM Electronics, Inc.
Manufacturer Address: 2848 Whiptail Loop, Carlsbad CA 92010, United States
Country of Origin: USA
Brand: HME
Model: AC70

Caution: All products are compliant with regulatory requirements detailed in this document when the user follows all installation instructions and operating conditions per HME specifications.

Caution: Use of accessories and peripherals other than those recommended by HME may void the product's compliance as well as the user's authority to operate the equipment.

Caution: All products are designed for use with the standard, integral or dedicated (external) antenna(s) that are shipped together with the equipment. Any product changes or modifications will invalidate all applicable regulatory certifications and approvals.

Caution: The use of software or firmware not supported/provided by HME products may result that the equipment is no longer compliant with the regulatory requirements.

Warning: The power adapter is the equipment's disconnection device. The power outlet must be located nearby the equipment and its access must be easy.

FCC NOTICE

This device complies with Part 15 of the FCC rules. Operation is subject to the following two conditions: (1) This device may not cause harmful interference, and (2) This device must accept any interference received, including interference that may cause undesired operation.

NOTE: This equipment has been tested and found to comply with the limits for a Class A digital device, pursuant to Part 15 of the FCC rules. These limits are designed to provide reasonable protection against harmful interference when the equipment is operated in a commercial environment. This equipment generates, uses and can radiate radio frequency energy and, if not installed and used in accordance with the instruction manual, may cause harmful interference to radio communication. Operation of this equipment in a residential area is likely to cause harmful interference, in which case the user will be required to correct the interference at his own expense.

Changes or modifications not expressly approved by HME could void the user's authority to operate this equipment.

FCC/IC/EC RF EXPOSURE WARNING

This product complies with FCC/IC/EC radiation exposure limits set forth for an uncontrolled environment.

Produits HME sont conformes aux limites IC d'exposition aux rayonnements définies pour un environnement non contrôlé.

This product may not be co-located or operated in conjunction with any other antenna or transmitter.

Cet appareil et son antenne (s) ne doit pas être co-localisés ou fonctionner en association avec une autre antenne ou transmetteur.

To comply with FCC/IC/EC RF exposure requirements, this unit must be installed and operate at least 20 cm (8 inches) from any person.

Produits HME doivent être installés et utilisés avec distance minimum de 20cm entre le radiateur et votre corps.

INDUSTRY CANADA COMPLIANCE STATEMENT

Avis de conformité à la réglementation d'Industrie Canada

Cet appareil est conforme aux CNR d'Industrie Canada applicables aux appareils radio exempts de licence. L'exploitation est soumise aux deux conditions suivantes:

- (1) cet appareil ne doit pas provoquer d'interférence, et
- (2) cet appareil doit accepter toute interférence radioélectrique subie, même si l'interférence est susceptible d'en compromettre le fonctionnement.

Cet émetteur exempt de licence est équipé d'une antenne intégrée. Cet émetteur exempt de licence n'est pas autorisé à fonctionner avec une autre antenne.

Cet appareil et son antenne (s) ne doit pas être co-localisés ou fonctionner en association avec une autre antenne ou transmetteur.

Cet appareil numérique de la class[A] est conforme à la norme NMB-003 du Canada.

This Class[A] digital device complies with Canadian ICES-003.