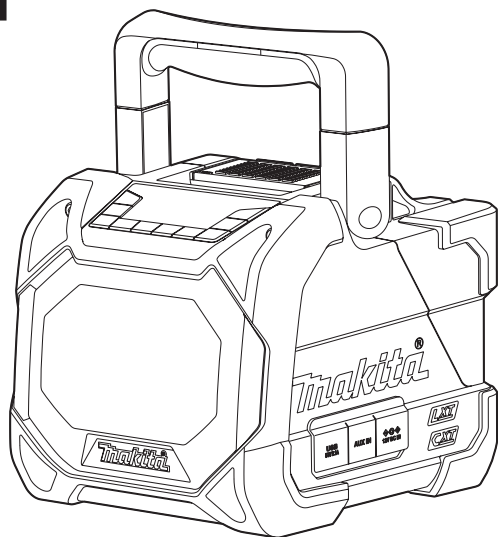
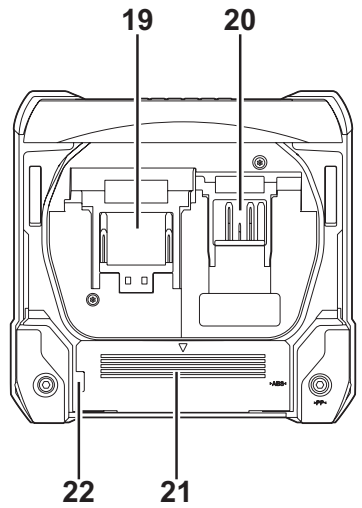
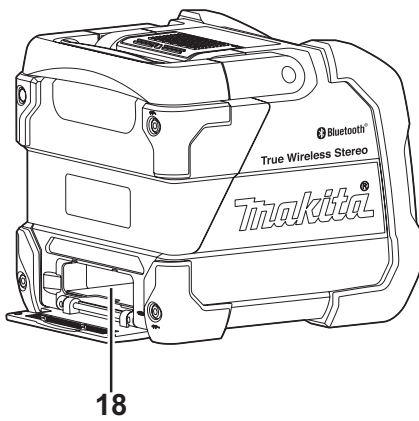
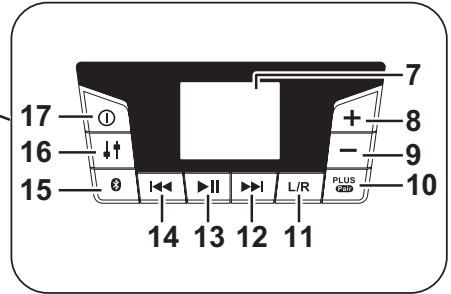
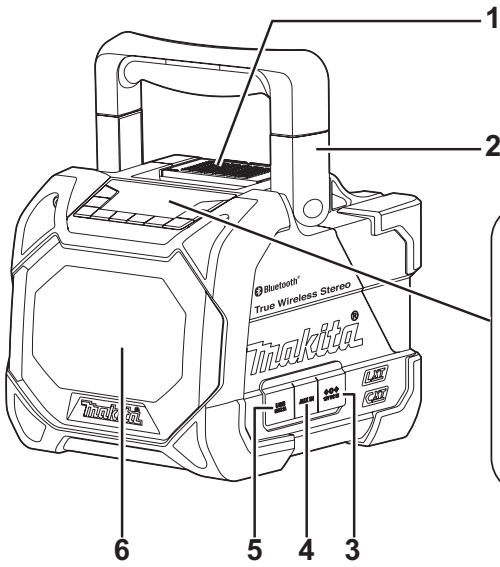


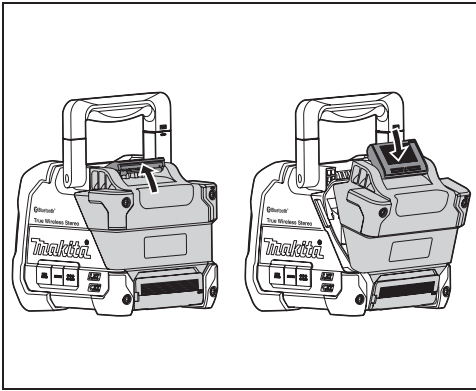


EN	Cordless Job Site Speaker	Instruction manual	4
ESMX	Altavoz para obra inalámbrico	Manual de instrucciones	12

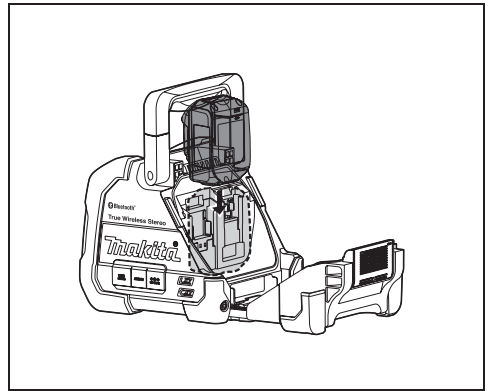
## XRM11



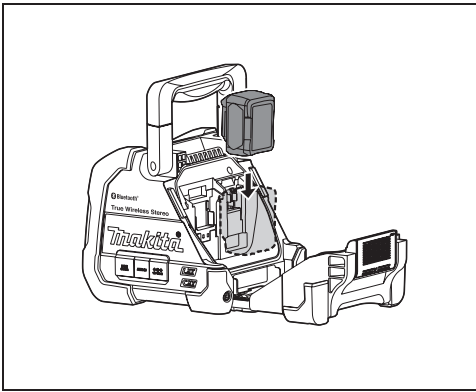




2



3

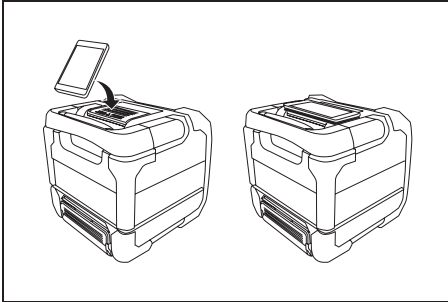


4

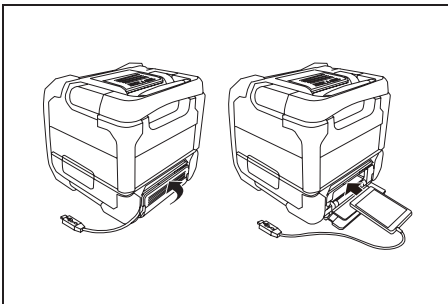
## ENGLISH (Original instructions)

### EXPLANATION OF GENERAL VIEW (Fig. 1)

1. Battery compartment locker/Mobile (Cell phone) placing panel



2. Handle
3. DC in socket
4. Auxiliary input socket
5. USB charging socket
6. Speaker
7. LCD display
8. Volume up button
9. Volume down button
10. Plus button (Plus pair button)
11. L/R button
12. Next track/Fast-forward button
13. Play/Pause button
14. Previous track/Rewind button
15. Bluetooth pairing button
16. EQ control button
17. Power button
18. Mobile (Cell phone) storage cabinet



19. 14.4V/18V battery terminal
20. 10.8V-12V max battery terminal
21. Mobile storage cabinet cover
22. Cable hole

## IMPORTANT SAFETY INSTRUCTIONS

### ⚠ WARNING:

When using electric tools, basic safety precautions should always be followed to reduce the risk of fire, electric shock, and personal injury, including the following:

1. Read this instruction manual and the charger instruction manual carefully before use.
2. Clean only with dry cloth.
3. Do not install near any heat sources such as radiators, heat registers, stoves, or other apparatus (including amplifiers) that produce heat.
4. Only use attachments/accessories specified by the manufacturer.
5. Unplug this apparatus during lightning storms or when unused for long periods of time.
6. A battery operated speaker with integral batteries or a separate battery pack must be recharged only with the specified charger for the battery. A charger that may be suitable for one type of battery may create a risk of fire when used with another battery.
7. Use battery operated speaker only with specifically designated battery packs. Use of any other batteries may create a risk of fire.
8. When battery pack is not in use, keep it away from other metal objects like: paper clips, coins, keys, nails, screws, or other small metal objects that can make a connection from one terminal to another. Shorting the battery terminals together may cause sparks, burns, or a fire.
9. Avoid body contact with grounded surfaces such as pipes, radiators, ranges and refrigerators. There is an increased risk of electric shock if your body is grounded.
10. Under abusive conditions, liquid may be ejected from the battery; avoid contact. If contact accidentally occurs, flush with water. If liquid contacts eyes, additionally seek medical help. Liquid ejected from the battery may cause irritation or burns.
11. Do not use a battery pack or tool that is damaged or modified. Damaged or modified batteries may exhibit unpredictable behavior resulting in fire, explosion or risk of injury.
12. Do not expose a battery pack or tool to fire or excessive temperature. Exposure to fire or temperature above 130°C(266°F) may cause explosion.
13. Follow all charging instructions and do not charge the battery pack or tool outside the temperature range specified in the instructions. Charging improperly or at temperatures outside the specified range may damage the battery and increase the risk of fire.
14. The MAINS plug is used as the disconnect device,

and it shall remain readily operable.

15. Do not use the product at a high volume for any extended period. To avoid hearing damage, use the product at moderate volume level.
  16. (For products with LCD display only) LCD displays include liquid which may cause irritation and poisoning. If the liquid enters the eyes, mouth or skin, rinse it with water and call a doctor.
  17. Do not expose the product to rain or wet conditions. Water entering the product will increase the risk of electric shock.
  18. This product is not intended for use by persons (including children) with reduced physical, sensory or mental capabilities, or lack of experience and knowledge, unless they have been given supervision or instruction concerning use of the product by a person responsible for their safety. Children should be supervised to ensure that they do not play with the product. Store the product out of the reach of children.
  19. Do not heat or expose the speaker to fire or leave it in a hot location such as near a heat source, exposed to direct sunlight, or inside a vehicle under the blazing sun. Doing so may cause a fire or explosion and result in personal injury.
8. Be careful not to drop or strike battery.
  9. Do not use a damaged battery.
  10. To avoid risk, the manual of replaceable the battery should be read before use. And the max discharging current of the battery should be greater than or equal to 8A.
  11. The contained lithium-ion-batteries are subject to the Dangerous Goods Legislation requirements. For commercial transports e.g. by third parties, forwarding agents, special requirement on packaging and labeling must be observed.  
For preparation of the item being shipped, consulting an expert for hazardous material is required. Please also observe possibly more detailed national regulations.  
Tape or mask off open contacts and pack up the battery in such a manner that it cannot move around in the packaging.
  12. When disposing the battery cartridge, remove it from the tool and dispose of it in a safe place. Follow your local regulations relating to disposal of battery.
  13. Use the batteries only with the products specified by Makita. Installing the batteries to non-compliant products may result in a fire, excessive heat, explosion, or leak of electrolyte.
  14. If the tool is not used for a long period of time, the battery must be removed from the tool.

## SAVE THESE INSTRUCTIONS

### SPECIFIC SAFETY RULES FOR BATTERY CARTRIDGE

1. Before using battery cartridge, read all instructions and cautionary markings on (1) battery charger, (2) battery, and (3) product using battery.
2. Do not disassemble battery cartridge.
3. If operating time has become excessively shorter, stop operating immediately. It may result in a risk of overheating, possible burns and even an explosion.
4. If electrolyte gets into your eyes, rinse them out with clear water and seek medical attention right away. It may result in loss of your eyesight.
5. Do not short the battery cartridge:
  - (1) Do not touch the terminals with any conductive material.
  - (2) Avoid storing battery cartridge in a container with other metal objects such as nails, coins, etc.
  - (3) Do not expose battery cartridge to water or rain. A battery short can cause a large current flow, overheating, possible burns and even a breakdown.
6. Do not store the tool and battery cartridge in locations where the temperature may reach or exceed 50°C (122°F).
7. Do not incinerate the battery cartridge even if it is

#### CAUTION:

- **Danger of explosion if battery is incorrectly replaced.**
- **Replace only with the same or equivalent type.**
- **Only use genuine Makita batteries. Use of non-genuine Makita batteries, or batteries that have been altered, may result in the battery bursting causing fires, personal injury and damage. It will also void the Makita warranty for the Makita tool and charger.**

#### Tips for maintaining maximum battery life

1. Charge the battery cartridge before completely discharged. Always stop operation and charge the battery cartridge when you notice less power.
2. Never recharge a fully charged battery cartridge. Overcharging shortens the battery service life.
3. Charge the battery cartridge with room temperature at 10°C - 40°C (50°F - 104°F). Let a hot battery cartridge cool down before charging it.
4. Charge the battery cartridge if you do not use it for a long period (more than six months).

For United States:

## **FC** Cautions to the user

The changes or modifications not expressly approved by the party responsible for compliance could void the user's authority to operate the equipment.

### **RF exposure statements**

#### **IMPORTANT NOTE:**

To comply with the FCC RF exposure compliance requirements, the antenna(s) used for this transmitter must be installed to provide a separation distance of at least 20 cm from all persons and must not be co-located or operating in conjunction with any other antenna or transmitter. No change to the antenna or the device is permitted. Any change to the antenna or the device could result in the device exceeding the RF exposure requirements and void user's authority to operate the device.

#### **Note:**

This equipment has been tested and found to comply with the limits for a Class B digital device, pursuant to

part 15 of the FCC Rules. These limits are designed to provide reasonable protection against harmful interference in a residential installation. This equipment generates, uses and can radiate radio frequency energy and, if not installed and used in accordance with the instructions, may cause harmful interference to radio communications. However, there is no guarantee that interference will not occur in a particular installation. If this equipment does cause harmful interference to radio or television reception, which can be determined by turning the equipment off and on, the user is encouraged to try to correct the interference by one or more of the following measures:

- Reorient or relocate the receiving antenna.
- Increase the separation between the equipment and receiver.
- Connect the equipment into an outlet on a circuit different from that to which the receiver is connected.
- Consult the dealer or an experienced radio/TV technician for help.

## **OPERATING TIME**

\* The suitable battery packs for this radio listed as the following table.

\* The following table indicates the operating time on a single charge.

Battery capacity	Battery cartridge voltage		AT SPEAKER OUTPUT = 100mW Unit: Hour (Approximately)	
	10.8V – 12Vmax	18V	Bluetooth	AUX IN
1.5 Ah	BL1016		8.5	9.5
		BL1815N	7.5	8.5
2.0 Ah	BL1021B		11	12
		BL1820B	10	11
3.0 Ah		BL1830 BL1830B	14	16
	4.0 Ah	BL1041B		22
		BL1840B	20	22
5.0 Ah		BL1850B	26	29
6.0 Ah		BL1860B	32	35

#### **⚠ WARNING:**

**Only use the battery cartridges listed above. Use of any other battery cartridges may cause injury and/or fire.**

#### **NOTE:**

- Table regarding to the battery operating time above is for reference.
- The actual operating time may differ with the type of the battery, charging condition, or usage environment.

# INSTALLATION AND POWER SUPPLY

## ⚠ CAUTION:

- Be careful not to pinch your fingers when opening and closing the battery cover.
- Return the battery compartment locker to the original position, after installing or removing battery cartridge. If not, battery cartridge may accidentally fall out of the speaker, causing injury to you or someone around you.
- Always close and lock the battery compartment locker before moving the speaker.
- Always switch off the speaker before installing or removing the battery cartridge.
- Be careful not to drop or strike the speaker. Broken shell may slash your finger or stab your body. Damaged speaker may exhibit unpredictable behavior resulting in fire, explosion or risk of injury.
- Hold the speaker and the battery cartridge firmly when installing or removing battery cartridge. Failure to hold the speaker and the battery cartridge firmly may cause them to slip off your hands and result in damage to the speaker and battery cartridge and a personal injury.

## IMPORTANT:

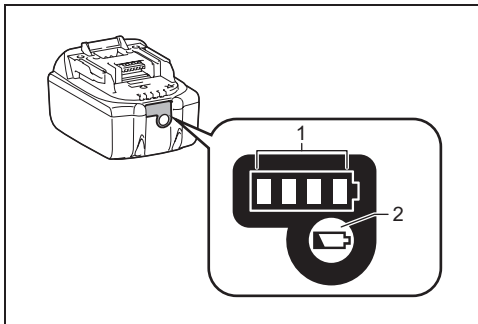
- Reduced power, distortion, "stuttering sound" or "low battery" appear on the display are all the signs that the main battery pack needs to be replaced.
- The battery cartridge can't be charged via the supplied AC power adaptor.
- The battery cartridge is not included as standard accessories.

## Installing or removing slide battery cartridge (Fig. 3 and 4)

- To install the battery cartridge, align the tongue on the battery cartridge with the groove in the housing and slide it into place. Always insert it all the way until it locks in place with a little click.
- If you can see the red indicator on the upper side of the button, it is not locked completely. Install it fully until the red indicator cannot be seen. If not, it may accidentally fall out of the speaker, causing injury to you or someone around you.
- Do not use force when inserting the battery cartridge. If the cartridge does not slide in easily, it is not being inserted correctly.
- To remove the battery cartridge, sliding it from the speaker while pressing the button on the front of the cartridge.

## Indicating the remaining battery capacity

\* Only for battery cartridges with "B" at the end of the model number



### ➤ 1. Indicator lamps 2. Check button

Press the check button on the battery cartridge to indicate the remaining battery capacity. The indicator lamps light up for few seconds.

#### • 14.4V/18V batteries

Indicator or lamps			Remaining Capacity
Lighted	Off	Blinking	
■	□	▧	75% ~ 100%
■ ■ ■ ■			50% ~ 75%
■ ■ □ □			25% ~ 50%
■ □ □ □			0% ~ 25%
▧ □ □ □			Charge the battery
■ ■ □ □	↑ ↓	■ ■	The battery may have malfunctioned

#### • 10.8V-12V max batteries

Indicator or lamps			Remaining Capacity
Lighted	Off	Blinking	
■	□	▧	75% ~ 100%
■ ■ ■ ■			50% ~ 75%
■ ■ □ □			25% ~ 50%
■ □ □ □			0% ~ 25%

**NOTE:**

Depending on the conditions of use and the ambient temperature, the indication may differ slightly from the actual capacity.

### Using supplied AC power adaptor

Remove the rubber protector and insert the adaptor plug into the DC socket on the right hand side of the speaker. Plug the adaptor into a standard mains socket outlet. Whenever the adaptor is used, the battery pack is automatically disconnected.

**⚠ CAUTION:**

- Always disconnect the AC power adaptor completely before moving the speaker. If the AC adaptor is not removed, it may cause an electric shock.
- Never pull and/or drag the cord of the adaptor. If not, the speaker may accidentally fall down, causing injury to you or someone around you.

**IMPORTANT:**

- The mains adaptor is used as the means of connecting the speaker to the mains supply. The mains socket used for the speaker must remain accessible during normal use.
- In order to disconnect the speaker, the mains adaptor should be removed from the mains outlet completely.
- Use the AC power adaptor supplied with the product or specified by Makita only.
- Do not hold the power supply cable and plug by your mouth. Doing so might cause an electric shock.
- Do not touch the power plug with wet or greasy hands.
- Damaged or entangled cords increase the risk of electric shock. If the cord is damaged, have it replaced by our authorized service center in order to avoid a safety hazard. Do not use it before repair.
- After use, always store AC power adaptor out of the reach of children. If Children play with the cord, they may suffer injury.

### USB power supply socket

This jack can be used to charge a mobile phone or any other device that uses less than 2.1A of DC current. Charging will only occur when the speaker is switched on.

**NOTE:**

Ensure the specification of your external device such as mobile phone or player is compatible with the speaker. Please read instruction manual of your external device before charging.

**IMPORTANT:**

- Before connecting USB device to the charger, always backup your data of USB device. Otherwise your data may lose by any possibility.
- The charger may not supply power to some USB devices.

- When not using or after charging, remove the USB cable and close the cover.
- Do not connect power source to USB port. Otherwise there is risk of fire. The USB port is only intended for charging lower voltage device. Always place the cover onto the USB port when not charging the lower voltage device.
- Do not insert a nail, wire, etc. into USB power supply port. Otherwise a circuit short may cause smoke and fire.
- Do not connect this USB socket with your PC USB port, as it is highly possible that it may cause breakdown of the units.

## LISTENING TO MUSIC VIA BLUETOOTH STREAMING

You need to pair your Bluetooth device with the speaker before you can auto-link to play/stream Bluetooth music through the speaker. Pairing creates a 'bond' so two devices can recognize each other.

**Note:**

To have the better sound quality, we recommend setting the volume to more than two-thirds level on your Bluetooth device and then adjust the volume on the speaker as required.

### Pairing your Bluetooth device for the first time

1. Press the Power button to turn on the speaker. "Pairing" will appear on the display to show the speaker is discoverable.
2. Activate Bluetooth on your device according to the device's user manual to link to the speaker. Locate the Bluetooth device list and select the device named "XRM11" (With some mobiles which are equipped with earlier versions than BT2.1 Bluetooth device, you may need to input the pass code "0000").
3. Once connected, there will be a confirmation tone sound. "Paired" will appear on the display. You can simply select and play any music from your source device. Volume control can be adjusted from your source device, or directly from the speaker.
4. Use the controls on your Bluetooth-enabled device or on the speaker to play/pause and navigate tracks.

**Note:**

- If 2 Bluetooth devices, pairing for the first time, both search for the speaker, it will show its availability on both devices. However, if one device links with this unit first, then the other Bluetooth device won't find it on the list.
- If your Bluetooth device is temporarily disconnected to the speaker, then you need to manually reconnect your device again to the speaker.



- If “XRM11” shows in your Bluetooth device list but your device cannot connect with it, please delete the item from your list and pair the device with the speaker again following the steps described previously.
- Optimum Bluetooth streaming range is roughly 10 meters (30 feet) (line of sight) to the speaker but distance up to 30 meters (100 feet) are possible.
- If Bluetooth connection is lost due to exceeding time of separation, exceeding the optimum distance, obstacles or otherwise, reconnecting your device with the speaker may be necessary.
- Physical obstacles, other wireless devices or electromagnetic devices may affect the connection quality.
- Bluetooth connectivity performance may vary depending on the connected Bluetooth devices. Please refer to the Bluetooth capabilities of your device before connecting to the speaker. All features may not be supported on some paired Bluetooth devices.

### Playing audio files in Bluetooth mode

When you have successfully connected the speaker with the chosen Bluetooth device you can start to play your music using the controls on your connected Bluetooth device.

1. Once playing has started adjust the volume to the required setting using the Volume buttons on the speaker or on your enabled Bluetooth device.
2. Use the controls on your Bluetooth device to play/pause and navigate tracks. Alternatively, control the playback using Play/Pause, Next track and Previous track buttons on your speaker.
3. Press and hold the Fast-forward button or Rewind button to move through the current track. Release the button when the desired point is reached.

#### Note:

- Not all player applications or devices may respond to all of these controls.
- Some mobile phones may temporarily disconnect from the speaker when you make or receive calls. Some devices may temporarily mute their Bluetooth audio streaming when they receive text messages, emails or for other reasons unrelated to audio streaming. Such behavior is a function of the connected device and does not indicate a fault with the speaker.
- The display will show the track information such as title, artist, album, etc., when playing in Bluetooth mode.

### Playing a previously-paired Bluetooth source device

The speaker can memorize up to 8 sets of paired device, when the memory exceed this amount, the oldest pairing history will be over written. If your Bluetooth device already paired with the speaker previously, the unit will memorize your Bluetooth device and it attempts

to reconnect with a device in memory which is last connected. If the last connected device is not available, the speaker will be discoverable.

### Disconnecting your Bluetooth device

Press and hold the Bluetooth pairing button for 2-3 seconds until “Pairing” is shown on the display to disconnect with your Bluetooth device or turn off Bluetooth on your Bluetooth device to disable the connection.

### Deleting Bluetooth paired device memory

To clear the memory of all paired devices, press and hold the Bluetooth pairing button for more than 5 seconds until you hear two beeps.

## TRUE WIRELESS STEREO (TWS) FUNCTION

True wireless stereo (TWS) is a feature that allows one device to wirelessly connect with another device. You can use the TWS function to connect it to a second XRM11 and play your music through two speakers.

### Set up the first speaker

1. Make sure the first speaker is in Bluetooth mode and connect to a Bluetooth device.
2. Press the Plus button, the display will show **[ST] • [MULTI]**. **[ST]** will flash on the display. Press the Plus button to enter the “ST Pair” mode. If no buttons are pressed for 10 seconds, the speaker will also enter the “ST Pair” mode. The display will show “ST Pair” and “Pair” will flash 1 minute.

### Set up the second speaker

1. Make sure a second speaker is in Bluetooth mode.
2. Press the Plus button, the display will show **[ST] • [MULTI]**. **[ST]** will flash on the display. Press the Plus button to enter the “ST Pair” mode. If no buttons are pressed for 10 seconds, the speaker will also enter the “ST Pair” mode. When the connection is successful, **[L - ST] - R** will be shown on both displays at the same time. The EQ setting will revert to Flat mode (initial setting).

#### Note:

Set up the second speaker within 1 minute. If you do not set it up within 1 minute, the setting of the first speaker will be canceled.

### Start playback

1. Start playback on the connected Bluetooth device and adjust the volume on the Bluetooth device or one of the speakers for comfortable listening.

#### Note:

Volume or EQ (not including Bass/Middle/Treble) adjustment of one speaker is reflected on the other.

- Use the controls on your Bluetooth device to play/pause and navigate tracks. Alternatively, control the playback using Play/Pause, Next track and Previous track buttons on the one of the speakers. The display on the first speaker will show the track information such as title, artist, album, etc.
- Press and hold the Fast-forward button or Rewind button on the one of the speakers to move through the current track. Release the button when the desired point is reached.

## Switching the audio mode

- Using two speakers, you can switch between **L - [ST] - R**, **R - [ST] - R** and **L - [ST] - L** mode.
- Press the L/R button on either of the speakers to change the audio mode.
- L - [ST] - R** mode: Both speakers play the same sound. It is the initial setting.
- R - [ST] - R** and **L - [ST] - L** mode: One speaker plays the sound on the right channel, while the other speaker plays the sound on the left channel for stereo playback between the speakers.

## Disconnecting the TWS Function

Press and hold the Plus button to disconnect the TWS function.

# ENJOYING WIRELESS PLAYBACK USING MULTIPLE SPEAKERS

You can enjoy music at the same time by combining up to 10 devices which are compatible with this function.

## Set up the first speaker

- Make sure the first speaker is in Bluetooth mode and connect to a Bluetooth device.
- Press the Plus button, the display will show **[ST] · [MULTI]**.
- Select **[MULTI]** by pressing the L/R button. **[MULTI]** will flash on the display. Press the Plus button to enter "MULTI Pair" mode. If no buttons are pressed for 10 seconds, the speaker will also enter the "MULTI Pair" mode. The display will show "MULTI Pair" and "Pair" will flash 1 minute.

## Connect the second and more speakers

- Make sure the multiple speakers are all in Bluetooth mode.
- Press the Plus button, the display will show **[ST] · [MULTI]**.
- Select **[MULTI]** by pressing the L/R button. **[MULTI]** will flash on the display. Press the Plus button to enter the "MULTI Pair" mode. If no buttons are pressed for 10 seconds, the speaker will also enter the "MULTI Pair" mode. When the connection is successful, the display will be

shown "MASTER" on the first speaker and the other displays are all shown "SLAVE". The EQ setting will revert to Flat mode (initial setting).

### Note:

When connecting the second and more speakers, connect it within 1 minute after setting the first speaker. After 1 minute, the speaker cannot be connected.

## Add a new slave speaker

If you want to add another speaker after connecting, operate below steps:

- Make sure the new speaker is in Bluetooth mode.
- Press the Plus button on the master speaker, the display will show "MULTI ADD" and "ADD" will flash on the display.
- Press the Plus button on the new speaker, the display will show **[ST] · [MULTI]**.
- Select **[MULTI]** by pressing the L/R button. **[MULTI]** will flash on the display. Press the Plus button to enter the "MULTI Pair" mode. If no buttons are pressed for 10 seconds, the speaker will also enter the "MULTI Pair" mode. When the connection is successful, "SLAVE" will be displayed on the new speaker. The EQ setting will revert to Flat mode (initial setting).

## Start playback

- Start playback on the connected Bluetooth device and adjust the volume on the Bluetooth device or on the speakers for comfortable listening. The same music is played from all speakers.

### Note:

Only for the master speaker, the volume or EQ (not including Bass/Middle/Treble) adjustment will be synchronized with the other speakers. For other speakers, adjust the volume or EQ individually with each speaker.

- Use the controls on your Bluetooth device to play/pause and navigate tracks. Alternatively, control the playback using Play/Pause, Next track and Previous track buttons on the master speaker. The display on the master speaker will show the track information such as title, artist, album, etc.
- Press and hold the Fast-forward button or Rewind button on the master speaker to move through the current track. Release the button when the desired point is reached.

## Disconnecting the multiple speakers

- To disconnect only one slave speaker, press and hold the Plus button of the slave speaker you want to disconnect.
- To disconnect all connections and exit the multiple speakers group, press and hold the Plus button of the master speaker.

## Equalizer function

1. Press the Power button to switch on your speaker.
2. Press the EQ control button to select your required mode (FLAT/JAZZ/ROCK/CLASSIC/POP/NEWS).
3. To set up the bass, middle and treble, press the EQ control button until "Bass" flashes on the display.
4. Press the Volume up/down button to select your required bass level. Press the EQ control button to confirm the setting and enter the "Mid." (Middle) setting.
5. Press the Volume up/down button to select your required middle level. Press the EQ control button to confirm the setting and enter the "Tre." (Treble) setting.
6. Press the Volume up/down button to select your required treble level. Press the EQ control button to confirm the setting.

## Playing music via auxiliary input socket

A 3.5mm Auxiliary input socket is provided on the right side of the unit to permit an audio signal to be fed into the unit from any devices that features a headphone or audio output, such as MP3 or CD player.

1. Connect a stereo or mono audio source (for example, MP3 or CD player) to the Auxiliary input socket (marked 'AUX IN'), the speaker will be switched from Bluetooth to auxiliary input mode.
2. Adjust the Volume control on your MP3 or CD player to ensure an adequate signal and then adjust the volume on the speaker for comfortable listening.

### Note:

To have the better sound quality, we recommend setting the volume to more than two-thirds level on your audio device and then adjust the volume on the speaker as required.

The display does not show the information such as title, artist, album, etc., when playing via auxiliary input socket.

## MAINTENANCE

### ⚠ CAUTION:

- Never use gasoline, benzine, thinner, alcohol or the like. Discoloration, deformation or cracks may result.
- Do not wash the speaker with water.

## SPECIFICATIONS

<b>Amplifier</b>	
Output power	10.8V-12Vmax: 3.5W 14.4V: 6W 18V: 10W
Frequency response	50Hz~20kHz
<b>Aux In</b>	
Input sensitivity	250mVrms @100Hz
<b>Speaker</b>	
Main speaker	101.6mm 8ohm 10W
Tweeter speaker	36mm 8ohm 10W

<b>Bluetooth®</b> (The Bluetooth® word mark and logos are registered trademarks owned by Bluetooth SIG, Inc.)	
Bluetooth version	5.0 Certified
Bluetooth Profiles	A2DP/SCMS-T/AVRCP
Transmission Power	Power Class2
Transmission Range	Optimum: Max.10 meters (33 feet) Possible: Max.30 meters (100 feet) (varies according to usage conditions)
Supported codec	SBC
Compatible Bluetooth profile	A2DP/AVRCP
Maximum speaker-frequency power	BT EDR: 3.08dBm BT LE: 3.88dBm
Operating Frequency	2402MHz~2480MHz

<b>USB charging socket</b>	
Maximum supplying power of USB socket	5V, 2.1A

<b>General</b>	
AC power adaptor	DC in 12V 1.5A, center pin positive
Battery	Slide battery: 10.8 V-12Vmax 14.4 V 18 V
Dimensions(W x H x D)	206mm x 199mm x 217mm
Weight	2.7KG (without battery)

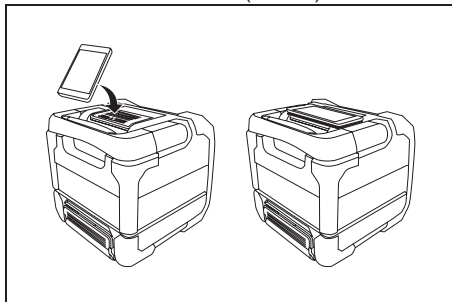
The company reserves the rights to amend the specification without notice.

# ESPAÑOL

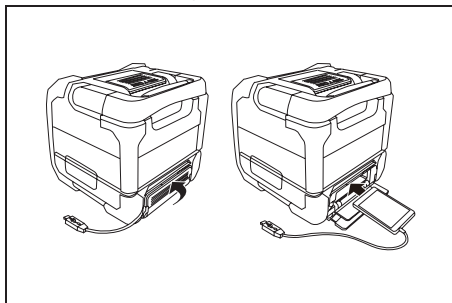
## (Instrucciones originales)

### EXPLICACIÓN DE LA VISTA GENERAL (Fig. 1)

1. Compartimiento de la batería/Panel para colocar el teléfono móvil (celular)



2. Asa
3. Toma de entrada de CC
4. Toma de entrada auxiliar
5. Toma de carga USB
6. Altavoz
7. Pantalla LCD
8. Botón de subir volumen
9. Botón de bajar volumen
10. Botón Plus (botón de vinculación Plus)
11. Botón L/R (izquierda/derecha)
12. Botón de siguiente pista/avance rápido
13. Botón de reproducir/pausar
14. Botón de pista anterior/rebobinar
15. Botón de vinculación Bluetooth
16. Botón de control del ecualizador
17. Botón de encendido
18. Compartimiento para guardar el teléfono móvil



19. Terminal de la batería 14,4V/18V
20. Terminal de la batería 10,8V-12V máx.
21. Cubierta del compartimiento para guardar el teléfono móvil
22. Agujero para el cable

# INSTRUCCIONES IMPORTANTES DE SEGURIDAD

## ⚠ ADVERTENCIA:

Cuando utilice herramientas eléctricas, para reducir el riesgo de incendio, descarga eléctrica y lesiones personales, siga siempre las precauciones básicas de seguridad, incluyendo lo siguiente:

1. Lea el manual de instrucciones y el manual de instrucciones del cargador detenidamente antes de usarlos.
2. Limpie el equipo solo con un paño seco.
3. No instale cerca de fuentes de calor, como radiadores, estufas, fuegos de cocina u otros aparatos (incluyendo amplificadores) que produzcan calor.
4. Utilice únicamente accesorios especificados por el fabricante.
5. Desenchufe este aparato durante las tormentas o cuando no vaya a usarlo por un periodo prolongado.
6. Un altavoz que funcione por medio de baterías bien integradas o bien independientes, solo debe cargarse con el cargador específico para la batería. Un cargador adecuado para un tipo de batería, puede crear riesgo de incendio cuando se usa con otra batería.
7. Use un altavoz que funcione por medio de baterías solo con baterías específicamente diseñadas. El uso de otras baterías podría crear riesgo de incendio.
8. Cuando la batería no esté en uso, manténgala alejada de otros objetos metálicos como: clips, monedas, llaves, clavos, tornillos u otros objetos metálicos pequeños que pudieran crear conexiones de un terminal a otro. El contacto entre sí de los terminales de las baterías puede provocar chispas, quemaduras o fuego.
9. Evite contacto corporal con superficies conectadas a tierra como tuberías, radiadores, estufas y refrigeradores. Hay un incremento del riesgo de descarga eléctrica si su cuerpo está conectado a tierra.
10. En condiciones abusivas, puede que de la batería se expulse líquido, evite el contacto. Si de forma accidental entra en contacto con el líquido, enjuague con agua. Si el líquido entrase en contacto con los ojos, busque ayuda médica. El líquido expulsado de la batería puede causar irritación o quemaduras.
11. No use una batería o una herramienta dañada o modificada. Las baterías dañadas o modificadas puede presentar un comportamiento impredecible causando incendios, explosiones y riesgos de lesiones.
12. No exponga la batería o herramienta al fuego o a temperaturas excesivas. La exposición al fuego o a temperaturas mayores que 130°C (266°F) podrían causar una explosión.
13. Siga todas las instrucciones de carga y no cargue la batería o la herramienta fuera del rango de temperatura especificado en las instrucciones. Cargar

- incorrectamente o a temperaturas fuera del rango especificado podrían dañar la batería e incrementar el riesgo de fuego.
14. El enchufe principal de la red eléctrica se utiliza como dispositivo de desconexión, y debe estar siempre disponible.
  15. No use este producto a volumen alto durante un periodo prolongado. Para evitar daños auditivos, use este producto a un nivel de volumen moderado.
  16. (Solo para productos con pantalla LCD) Las pantallas LCD incluyen líquidos que pueden causar irritación y envenenamiento. Si el líquido entrase en contacto con los ojos, boca o piel, enjuague con agua y llame a un médico.
  17. No exponga el producto a condiciones de lluvia o humedad. El agua que entre al producto incrementará el riesgo de descarga eléctrica.
  18. Este aparato no es apto para su uso por personas (niños incluidos) con las capacidades físicas, sensoriales o mentales disminuidas, o por personas que carezcan de experiencia y conocimiento, a no ser que alguien que sea responsable de su seguridad, les esté supervisando o les explique cómo deben usar el aparato. Los niños deben ser supervisados para asegurarse de que no jueguen con el producto. Guarde el producto lejos del alcance de los niños.
  19. No caliente ni exponga el altavoz al fuego o lo deje en un lugar caliente como cerca de una fuente de calor, expuesto a la luz solar directa o dentro de un vehículo bajo un sol abrasador. Hacer esto puede causar un incendio o explosión y provocar lesiones personales.
- (2) Evite almacenar el cartucho de batería en recipientes con otros objetos metálicos como clavos, monedas, etc.
  - (3) No exponga la batería al agua o lluvia. Un cortocircuito en la batería puede producir un gran flujo, sobrecalentamiento, posibles quemaduras e incluso una avería.
  6. No guarde la herramienta ni el cartucho de batería en lugares donde la temperatura pueda llegar a o superar los 50°C (122°F).
  7. No incinere el cartucho de batería incluso si está muy dañado o completamente desgastado. El cartucho de batería podría explotar en el fuego.
  8. Tenga cuidado de no dejar caer o golpear la batería.
  9. No use una batería dañada.
  10. Para evitar riesgos, lea antes de su uso el manual de la batería reemplazable. Y la corriente máxima de descarga de la batería debe ser igual o mayor a 8 A..
  11. Las baterías de iones de litio están sujetas a los requisitos de la Legislación de mercancías peligrosas. Para su transporte comercial, como por ejemplo por terceros o transportistas, deben respetarse los requisitos especiales del embalaje y etiquetado. Para la preparación del artículo para su envío, se requiere consultar a un experto en materiales peligrosos. Acate también las, posiblemente más detalladas, regulaciones nacionales. Cubra los contactos abiertos y empaquete la batería de tal manera que no se pueda mover en el embalaje.
  12. Al tirar la batería, retírela de la herramienta y deshágase de ella en un lugar seguro. Siga las regulaciones locales sobre la eliminación de baterías.
  13. Use las baterías solo con los productos especificados por Makita. La instalación de las baterías con productos no conformes podría resultar en un incendio, calor excesivo, explosión o fuga de electrolitos.
  14. Si la herramienta no va a ser usada durante un periodo prolongado de tiempo, debe retirar la batería de ella.

## GUARDE ESTAS INSTRUCCIONES

### REGLAS ESPECÍFICAS DE SEGURIDAD PARA EL CARTUCHO DE BATERÍA

1. Antes de utilizar el cartucho de batería, lea todas las instrucciones y advertencias en (1) el cargador de la batería, (2) la baterías, (3) el producto que usa la batería.
2. No desmonte el cartucho de batería.
3. Si el tiempo de funcionamiento se ha vuelto excesivamente corto, pare inmediatamente. Puede haber riesgo de sobrecalentamiento, posibles quemaduras o incluso una explosión.
4. Si el electrolito entra en contacto con los ojos, lávelos con agua limpia y busque atención médica de inmediato. Podría dar como resultado la pérdida de visión.
5. No haga un cortocircuito con el cartucho de batería.
  - (1) No toque los terminales con un material conductor.

#### **⚠ PRECAUCIÓN:**

- **Peligro de explosión si la batería se coloca incorrectamente.**
- **Reemplace solo con una del mismo tipo o uno equivalente.**
- **Use solo baterías originales Makita. El uso de baterías Makita no originales o de baterías que hayan sido alteradas podría provocar la explosión de la batería causando incendios, lesiones personales y daños. También anulará la garantía de Makita para la herramienta de Makita y el cargador.**

#### **Consejos para mantener al máximo la vida útil de la batería**

1. Cargue el cartucho de batería antes de que se

- descargue completamente. Deje de usar la herramienta y cargue la batería cuando note que la batería tiene menos potencia.
2. Nunca cargue un cartucho de batería que esté totalmente cargado. La sobrecarga reduce la vida útil de la batería.

3. Cargue el cartucho de batería con una temperatura ambiente de entre 10 y 40 grados centígrados (50°F-104°F). Antes de cargarla, deje que una batería que esté caliente se enfríe.
4. Cargue el cartucho de batería si no lo usa durante un largo periodo de tiempo (más de seis meses).

Para Estados Unidos:



### Precauciones para el usuario

Los cambios o modificaciones que no hayan sido expresamente autorizados por la entidad responsable por el cumplimiento de las regulaciones podrían anular la autoridad del usuario de utilizar este equipo.

### Declaraciones sobre la exposición de radiofrecuencia (RF)

#### NOTA IMPORTANTE:

Para cumplir con los requisitos de exposición humana a los campos de radiofrecuencia (RF) de la FCC, la o las antenas usadas para este transmisor deben instalarse a una distancia mínima de 20 centímetros de cualquier persona y no deben ser colocadas ni funcionar junto a otras antenas o transmisores. No se permite ningún cambio en la antena o dispositivo podría resultar en el dispositivo excediendo los requisitos de exposición humana a los campos de radiofrecuencia y anular la autoridad del usuario para operar el dispositivo.

#### NOTA:

Este equipo ha sido probado y cumple con los límites

correspondientes a un equipo digital de Clase B, según lo señalado en la Parte 15 de las Normas FCC (la Comisión Federal de Comunicaciones de EE. UU.). Estos límites están diseñados para proporcionar protección razonable contra interferencias perjudiciales en una instalación residencial. Este equipo genera, utiliza y puede emitir energía de frecuencias de radio y, si no es instalado y usado de acuerdo a las instrucciones, puede causar interferencias perjudiciales en las comunicaciones de radio. Sin embargo, no hay garantía de que no ocurrirán las interferencias en una instalación determinada. Si este equipo causa interferencias perjudiciales en la recepción de radio o televisión, que se pueden identificar encendiendo y apagando el equipo, recomendamos al usuario que intente solucionar las interferencias tomando una o más de las siguientes medidas:

- Cambiar la orientación o posición de la antena receptora.
- Aumentar la separación entre el equipo y el receptor.
- Conectar el equipo a una toma de un circuito diferente del conectado con el receptor.
- Consultar al proveedor o a un técnico de radio/TV con experiencia para recibir ayuda.

## TIEMPO DE FUNCIONAMIENTO

\* Las baterías adecuadas para este altavoz se enumeran en la siguiente tabla.

\* La siguiente tabla indica el tiempo de uso con una sola carga.

Capacidad de la batería	Voltaje de la batería		CON LA SALIDA DEL ALTAVOZ = 100 mW Unidad: hora (aproximadamente)	
	10.8V-12V máx.	18V	Bluetooth	AUX IN
1.5 Ah	BL1016		8.5	9.5
		BL1815N	7.5	8.5
2.0 Ah	BL1021B		11	12
		BL1820B	10	11
3.0 Ah		BL1830 BL1830B	14	16
	BL1041B		22	25
4.0 Ah		BL1840B	20	22
		BL1850B	26	29
6.0 Ah		BL1860B	32	35

### ⚠ ADVERTENCIA:

Solo use las baterías indicadas anteriormente. El uso de cualquier otra batería podría causar lesiones o fuego.

#### Nota:

- La tabla sobre el tiempo de funcionamiento de la batería es para referencia.
- El tiempo de funcionamiento real puede diferir según el tipo de batería, condiciones de carga o entorno de uso.

# INSTALACIÓN Y ALIMENTACIÓN

## ⚠ PRECAUCIÓN:

- Tenga cuidado de no pellizcarse los dedos al abrir y cerrar la tapa de la batería.
- Tras instalar o retirar la batería, devuelva el compartimento de la batería a su posición inicial. De lo contrario la batería podría caerse accidentalmente de el altavoz y causar lesiones a usted o a gente a su alrededor.
- Antes de mover el altavoz cierre y boquee siempre el compartimento de la batería.
- Antes de instalar o retirar la batería, apague siempre el altavoz.
- Tenga cuidado de no dejar caer o golpear el altavoz. Una carcasa rota podría cortarle los dedos o clavarse en su cuerpo. Un altavoz dañado puede tener un comportamiento impredecible que podría resultar en fuego, explosiones o riesgo de lesiones.
- Al colocar o retirar la batería, sujete el altavoz y la batería firmemente. Si no sostiene el altavoz y la batería con firmeza, es posible que se le salgan de las manos y provoque daños en el altavoz y en la batería, además de lesiones personales.

## IMPORTANTE:

- Potencia reducida, distorsión, un sonido con cierta "tartamudez" o que en pantalla aparezca "low battery" (batería baja), son señales de que las baterías deben reemplazarse.
- La batería no puede cargarse mediante el adaptador de alimentación de CA suministrado.

La batería no se incluye como accesorio estándar.

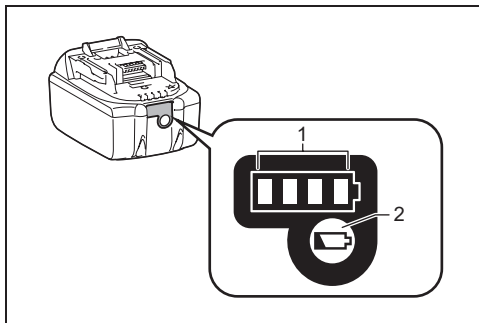
## Instalación o retirada del cartucho de batería (fig. 3 y 4)

- Para instalar el cartucho de batería, alinee la lengüeta en el cartucho de batería con la ranura en la carcasa y deslícela a su lugar. Siempre insértela hasta que encaje en su sitio con un pequeño clic.
- Si puede ver el indicador rojo de la zona superior del botón, significa que el cartucho no está encajado completamente. Instáelo completamente hasta que el indicador rojo no esté visible. De lo contrario, el cartucho puede desprenderse accidentalmente del altavoz y causar lesiones al operario o a alguna persona que se encuentre cerca.
- No use la fuerza al insertar el cartucho de batería. Si el cartucho no se desliza fácilmente es que no se está insertando correctamente.
- Para retirar la batería, deslícela del altavoz mientras presiona el botón en la parte frontal de la misma.

## Indicaciones de la batería restante

\* Solo para cartuchos de batería que tengan una "B"

al final del número de modelo.



➤ 1. Luces indicadoras 2. Botón de comprobación  
Presione el botón en el cartucho de batería para mostrar la batería restante. Las luces indicadoras se encenderán por unos segundos.

### • Baterías 14,4 V/18 V

Luces indicadoras			Capacidad restante
Iluminado	Apagado	Parpadeando	
■	□	▧	75% ~ 100%
■	■	■	
■	■	□	50% ~ 75%
■	□	□	25% ~ 50%
■	□	□	0% ~ 25%
▧	□	□	Cargue la batería
■	■	□	La batería puede haber funcionado mal
□	□	■	

### • Baterías 10,8 V-12 V máx.

Luces indicadoras			Capacidad restante
Iluminado	Apagado	Parpadeando	
■	□	▧	75% ~ 100%
■	■	■	
■	■	□	50% ~ 75%
■	□	□	25% ~ 50%
■	□	□	0% ~ 25%

## NOTA:

Dependiendo de las condiciones de uso y de la



temperatura ambiente, la indicación puede diferir ligeramente de la capacidad real.

## Usando el adaptador de CA suministrado

Retire el protector de goma e inserte la clavija del adaptador en la toma de CC en la parte derecha del altavoz. Enchufe el adaptador a una toma de corriente estándar. Cuando el adaptador se usa, la batería se desconecta automáticamente.

### ⚠ PRECAUCIÓN:

- **Desconecte siempre completamente el adaptador de alimentación de CA antes de mover el altavoz. Si no se retira el adaptador de CA, podría causar una descarga eléctrica.**
- **Nunca tire o arrastre el cable del adaptador. De lo contrario, el altavoz podría caerse de forma accidental causándole lesiones a usted o a gente a su alrededor.**

### IMPORTANTE:

- El adaptador de corriente se emplea como medio de desconexión de el altavoz de la toma de alimentación. La toma de alimentación usada con el altavoz deberá permanecer accesible durante su uso.
- Para desconectar el altavoz, el adaptador de la red eléctrica debe retirarse por completo de la toma de corriente.
- Use solo el adaptador de alimentación de CA suministrado con el producto o especificado por Makita.
- No sujete el cable de alimentación y enchufe con la boca. Hacerlo podría causar una descarga eléctrica.
- No toque el enchufe de corriente con las manos mojadas o grasosas.
- Unos cables dañados o enredados incrementan el riesgo de descarga eléctrica. Si el cable está dañado, haga que su centro de servicio autorizado lo reemplace para evitar riesgos para la seguridad. No lo use antes de la reparación.
- Tras el uso, guarde siempre el adaptador de alimentación de CA fuera del alcance de los niños. Si los niños jugasen con el cable, podrían sufrir lesiones.

## Toma de corriente USB

Esta toma puede usarse para cargar un teléfono móvil o cualquier otro dispositivo que use menos de 2.1 A de CC. Solo se cargará cuando el altavoz esté encendido.

### Nota:

Asegúrese de que la especificación de su dispositivo externo, como teléfono móvil o reproductor, sea compatible con el altavoz. Lea el manual de instrucciones de su dispositivo externo antes de cargarlo.

### IMPORTANTE:

- Antes de conectar el dispositivo USB al cargador, haga siempre una copia de seguridad de los datos del

dispositivo USB. De lo contrario, su información podría perderse.

- El cargador puede que no suministre energía a algunos dispositivos USB.
- Cuando no lo use, o tras cargar, retire el cable USB y cierre la cubierta.
- No conecte la fuente de alimentación al puerto USB. De lo contrario puede haber riesgo de fuego. El puerto USB es solo para cargar dispositivos de bajo voltaje. Cuando no esté cargando el dispositivo de bajo voltaje, coloque siempre la cubierta en el puerto USB.
- No inserte un clavo, cable, etc. en el puerto de alimentación USB. De lo contrario, un cortocircuito podría causar humo y fuego.
- No conecte esta toma USB al puerto USB del PC, ya que es muy probable que esto pueda causar daños en las unidades.

## ESCUCHAR MÚSICA A TRAVÉS DE TRANSMISIÓN BLUETOOTH

Antes de poder enlazarse automáticamente para reproducir/transmitir música Bluetooth a través del altavoz, necesita vincular su dispositivo Bluetooth con el altavoz. La vinculación crea un "vínculo" para que dos dispositivos se reconozcan mutuamente.

### Nota:

Para tener una mejor calidad de sonido, recomendamos que ajuste el volumen en su dispositivo Bluetooth a más de dos tercios y a continuación, ajuste el volumen en el altavoz como necesite.

## Vincular su dispositivo Bluetooth por vez primera

1. Presione el botón de encendido para encender el altavoz. En pantalla se mostrará "Pairing" (vinculando) para indicar que el altavoz es visible.
2. Active el Bluetooth de su dispositivo según su manual del usuario para enlazar con el altavoz. Localice la lista de dispositivos Bluetooth y seleccione el que lleve por nombre "XRM11". (Algunos dispositivos móviles equipados con versiones de Bluetooth anteriores a la BT2.1, puede que sea necesario introducir las contraseña "0000").
3. Una vez conectado, habrá un tono de confirmación. En pantalla se mostrará "Paired" (vinculado). Ahora puede simplemente seleccionar y reproducir cualquier música desde el dispositivo fuente. El control de volumen puede ajustarse desde su dispositivo fuente o directamente desde el altavoz.
4. Use los controles de su dispositivo con función de Bluetooth o los del altavoz para reproducir/dejar en pausa y navegar por las pistas.



#### Nota:

- Si dos dispositivos Bluetooth, vinculándose por primera vez, buscan el altavoz, este se mostrará disponible para ambos dispositivos. Sin embargo, si un dispositivo se enlaza con esta unidad primero, entonces el otro dispositivo Bluetooth no lo encontrará en la lista.
- Si su dispositivo Bluetooth se desconecta temporalmente de su altavoz, entonces, deberá reconectar su dispositivo al altavoz de forma manual.
- Si "XRM11" aparece en la lista de su dispositivo Bluetooth, pero no puede conectarse a él, borre el elemento de la lista y vincule de nuevo el dispositivo con el altavoz, siguiendo los pasos descritos anteriormente.
- El rango óptimo de transmisión Bluetooth es de aproximadamente 10 metros (30 pies) (campo visual) a el altavoz, pero una distancia de hasta 30 metros (100 pies) es posible.
- Si se pierde la conexión Bluetooth debido a un exceso del tiempo de separación, de la distancia óptima, obstáculos u otros motivos, puede que sea necesario volver a conectar el dispositivo con el altavoz.
- Objetos físicos, otros dispositivos inalámbricos o dispositivos electromagnéticos pueden afectar la calidad de la conexión.
- La capacidad de la conectividad Bluetooth podría variar dependiendo del dispositivo Bluetooth que se haya conectado. Por favor, consulte las especificaciones Bluetooth de su dispositivo antes de conectarlo a su altavoz. Puede que no todas las funciones estuvieran disponibles en algunos dispositivos Bluetooth.

### Reproducción de archivos de audio en el modo Bluetooth

Cuando haya conectado su altavoz con el dispositivo Bluetooth que haya elegido, ya podrá comenzar a reproducir su música usando los controles del dispositivo Bluetooth al que se haya conectado.

1. Una vez que la reproducción haya comenzado, ajuste el volumen al nivel deseado usando los botones de volumen en su altavoz o en su dispositivo Bluetooth.
2. Use los controles en su dispositivo Bluetooth para reproducir/pausar y navegar por las pistas. Alternativamente, controle la reproducción usando los botones de reproducir/pausar, siguiente pista y pista anterior en su altavoz.
3. Mantenga presionado el botón de avance rápido o rebobinado para moverse por la pista actual. Suelte el botón cuando llegue al punto deseado.

#### Nota:

- Que puede que no todos los reproductores o dispositivos respondan a todos los controles.
- Algunos teléfonos móviles puede que se desconecten temporalmente de su altavoz al realizar o recibir

llamadas. Algunos dispositivos puede que silencien temporalmente su transmisión de audio por Bluetooth cuando reciben mensajes de texto, correos electrónicos o por otros motivos ajenos a la transmisión de audio. Ese comportamiento es una función del dispositivo conectado y no indica un fallo en su altavoz.

- Cuando se reproduce en modo Bluetooth, la pantalla mostrará información de la pista como el título, artista, álbum etc.

### Reproducir un dispositivo fuente Bluetooth previamente vinculado

XRM11 puede memorizar hasta 8 dispositivos emparejados. Cuando la memoria exceda esta cantidad, el primero de los dispositivos emparejados será sobrescrito. Si su dispositivo Bluetooth hubiera sido emparejado con el altavoz anteriormente, la unidad memorizará su dispositivo Bluetooth e intentará reconectarse con el dispositivo de la memoria con el que se conectó por última vez. Si el último dispositivo con el que se conectó no estuviera disponible, el altavoz será reconocible.

### Desconexión de su dispositivo Bluetooth

Mantenga presionado el botón de vinculación Bluetooth durante 2-3 segundos hasta que "Pairing" (vinculando) se muestre en pantalla para desconectarse de su dispositivo Bluetooth, o desactive el Bluetooth en su dispositivo Bluetooth para deshabilitar la conexión.




### Borrar la memoria de dispositivos Bluetooth vinculados

Para borrar la memoria de todos los dispositivos vinculados, mantenga presionado el botón de vinculación Bluetooth durante más de 5 segundos hasta que escuche dos pitidos.

## FUNCIÓN TRUE WIRELESS STEREO (TWS)

La función True wireless stereo (TWS - estéreo inalámbrico auténtico) es una característica que permite que un dispositivo se conecte de forma inalámbrica con otro dispositivo. Puede usar la función TWS para conectar un segundo XRM11 y reproducir su música a través de dos altavoces.

### Configuración del primer altavoz

1. Asegúrese de que el primer altavoz esté en modo Bluetooth y conéctelo a un dispositivo Bluetooth.
2. Presione el botón Plus, en pantalla se mostrará  .  parpadeará en la pantalla. Presione el botón Plus para entrar al modo de "ST Pair"

(vinculación ST). Si no se presiona ningún botón durante 10 segundos, el altavoz también se pondrá en modo “ST Pair” (vinculación ST). La pantalla mostrará “ST Pair” (vinculación ST) y “Pair” (vincular) parpadeará durante 1 minuto.

## Configuración del segundo altavoz

1. Asegúrese de que el segundo altavoz esté en modo Bluetooth.
2. Presione el botón Plus, en pantalla se mostrará **[ST] • [MULTI]** . **[ST]** parpadeará en la pantalla. Presione el botón Plus para entrar al modo de “ST Pair” (vinculación ST). Si no se presiona ningún botón durante 10 segundos, el altavoz también se pondrá en modo “ST Pair” (vinculación ST). Cuando la conexión sea exitosa **L • [ST] • R** se mostrará en ambas pantallas al mismo tiempo. Los ajustes del ecualizador volverán al modo plano (configuración inicial).

### Nota:

Configure el segundo altavoz en 1 minuto. Si no lo configura en menos de 1 minuto, la configuración del primer altavoz se cancelará.

## Comenzar la reproducción

1. Inicie la reproducción en el dispositivo Bluetooth conectado y ajuste el volumen en el dispositivo Bluetooth o en uno de los altavoces para una escucha agradable.

### Nota:

El ajuste del volumen o del ecualizador (sin incluir graves/medios/agudos) de un altavoz se refleja en el otro.

2. Use los controles en su dispositivo Bluetooth para reproducir/pausar y navegar por las pistas. Alternativamente, controle la reproducción usando los botones de reproducir/pausar, siguiente pista y pista anterior en uno de los altavoces. La pantalla del primer altavoz mostrará información de la pista como el título, artista, álbum, etc.
3. Mantenga presionado el botón de avance rápido o rebobinado en uno de los altavoces para moverse por la pista actual. Suelte el botón cuando llegue al punto deseado.

## Cambiar el modo de audio

1. Al usar dos altavoces, puede cambiar entre los modos **L • [ST] • R** , **R • [ST] • L** y **L • [ST] • L** .
2. Presione el botón L/R en cualquiera de los altavoces para cambiar el modo de audio.
3. Modo **L • [ST] • R** : Ambos altavoces reproducen el mismo sonido. Es la configuración inicial.
4. Modo **R • [ST] • L** y **L • [ST] • L** : Un altavoz reproduce el sonido en el canal derecho mientras que el otro altavoz reproduce el sonido en el canal izquierdo, para un

reproducción estéreo entre los altavoces.

## Desconectar la función TWS

Mantenga presionado el botón Plus para desconectar la función TWS.

## DISFRUTE DE LA REPRODUCCIÓN INALÁMBRICA USANDO MÚLTIPLES ALTAVOCES

Puede disfrutar de la música al mismo tiempo combinando hasta 10 dispositivos que sean compatibles con esta función.

## Configuración del primer altavoz

1. Asegúrese de que el primer altavoz esté en modo Bluetooth y conéctelo al dispositivo Bluetooth.
2. Presione el botón Plus, en pantalla se mostrará **[ST] • [MULTI]** .
3. Seleccione **[MULTI]** presionando el botón L/R. **[MULTI]** parpadeará en la pantalla. Presione el botón Plus para entrar al modo de “MULTI Pair” (vinculación múltiple). Si no se presiona ningún botón durante 10 segundos, el altavoz también se pondrá en modo “MULTI Pair” (vinculación múltiple). La pantalla mostrará “MULTI Pair” (vinculación múltiple) y “Pair” (vincular) parpadeará durante 1 minuto.

## Conexión de los demás altavoces

1. Asegúrese de que todos los altavoces estén en modo Bluetooth.
2. Presione el botón Plus, en pantalla se mostrará **[ST] • [MULTI]** .
3. Seleccione **[MULTI]** presionando el botón L/R. **[MULTI]** parpadeará en la pantalla. Presione el botón Plus para entrar al modo de “MULTI Pair” (vinculación múltiple). Si no se presiona ningún botón durante 10 segundos, el altavoz también se pondrá en modo “MULTI Pair” (vinculación múltiple). Cuando la conexión sea exitosa, en la pantalla del primer altavoz se mostrará “MASTER” (maestro) y en la de los otros altavoces se mostrará “SLAVE” (esclavo). Los ajustes del ecualizador volverán al modo plano (configuración inicial).

### Nota:

Cuando conecte los demás altavoces, hágalo en menos de 1 minuto. Transcurrido 1 minuto, el altavoz no puede conectarse.

## Añadir un nuevo altavoz esclavo

Si tras la conexión desea añadir otro altavoz, siga los siguientes pasos:

1. Asegúrese de que el altavoz nuevo esté en modo Bluetooth.

2. Presione el botón Plus en el altavoz maestro. En pantalla se mostrará "MULTI ADD" y "ADD" (añadir) parpadeará en la pantalla.
3. Presione el botón Plus en el altavoz nuevo, en pantalla se mostrará **EST** + **MULTI**.
4. Seleccione **MULTI** presionando el botón L/R. **MULTI** parpadeará en la pantalla. Presione el botón Plus para entrar al modo de "MULTI Pair" (vinculación múltiple). Si no se presiona ningún botón durante 10 segundos, el altavoz también se pondrá en modo "MULTI Pair" (vinculación múltiple). Cuando la conexión sea exitosa, en la pantalla del altavoz nuevo se mostrará "SLAVE" (esclavo). Los ajustes del ecualizador volverán al modo plano (configuración inicial).

## Comenzar la reproducción

1. Comience la reproducción en el dispositivo Bluetooth conectado y ajuste el volumen en el dispositivo Bluetooth o en los altavoces para una escucha agradable. La misma música se reproducirá desde todos los altavoces.  
**Nota:**  
Solo para el altavoz maestro. El ajuste del volumen o del ecualizador (sin incluir graves/medios/agudos) se sincronizará con el resto de altavoces. Para otros altavoces, ajuste el volumen o ecualizador individualmente con cada altavoz.
2. Use los controles en su dispositivo Bluetooth para reproducir/pausar o navegar por las pistas. Alternativamente, controle la reproducción usando los botones de reproducir/pausar, siguiente pista y pista anterior en el altavoz maestro. La pantalla del altavoz maestro mostrará información de la pista como el título, artista, álbum, etc.
3. Mantenga presionado el botón de avance rápido o rebobinado en el altavoz maestro para moverse por la pista actual. Suelte el botón cuando llegue al punto deseado.

## Desconectar los múltiples altavoces

- Para desconectar solo un altavoz esclavo, mantenga presionado el botón Plus del altavoz esclavo que desea desconectar.
- Para desconectar todas las conexiones y salir del grupo de múltiples altavoces, mantenga presionado el botón Plus en el altavoz maestro.

## Función de ecualizador

1. Presione el botón de encendido para encender el altavoz.
2. Presione el botón de control del ecualizador para seleccionar el modo deseado (PLANO/JAZZ/ROCK/CLÁSICA/POP/NOTICIAS).
3. Para configurar los graves, medios y agudos, presione

el botón de control del ecualizador hasta que "Bass" (graves) parpadee en la pantalla.

4. Presione el botón de subir/bajar volumen para seleccionar el nivel de graves deseado. Presione el botón de control del ecualizador para confirmar los ajustes y entrar a la configuración de medios.
5. Presione el botón de subir/bajar volumen para seleccionar el nivel de medios deseado. Presione el botón de control del ecualizador para confirmar los ajustes y entrar a la configuración de agudos.
6. Presione el botón de subir/bajar volumen para seleccionar el nivel de agudos deseado. Presione el botón de control del ecualizador para confirmar los ajustes.

## Reproducir música a través de la toma de entrada auxiliar

Se proporciona una toma de entrada auxiliar de 3,5 mm en el lado derecho de la unidad para permitir que la unidad reciba una señal de audio desde cualquier dispositivo que cuente con una salida de auriculares o de audio, como un reproductor de MP3 o CD.

1. Conecte una fuente de audio estéreo o mono (como un reproductor de MP3 o CD) a la toma de entrada auxiliar (marcada como "AUX IN"). El altavoz cambiará del modo Bluetooth al modo de entrada auxiliar.
2. Ajuste el control del volumen en su reproductor MP3 o CD para garantizar una señal adecuada y a continuación, ajuste el volumen en el altavoz para una escucha agradable.

### Nota:

Para tener una mejor calidad de sonido, recomendamos establecer el volumen a más de dos tercios en su dispositivo de audio y a continuación, ajustar el volumen en el altavoz según necesite.

Al reproducir a través de la toma de entrada auxiliar, la pantalla no muestra información como el título, artista, álbum, etc.

## MANTENIMIENTO

### ⚠ PRECAUCIÓN:

- Nunca use gasolina, bencina, diluyentes, alcohol o similares. Podría dar como resultado decoloración, deformaciones o roturas.
- No lave el altavoz con agua.

# Especificaciones

<b>Amplificador</b>	
Potencia de salida	10.8V-12V máx.: 3.5W 14.4V: 6W 18V: 10W
Frecuencia de respuesta	50Hz~20kHz
<b>Aux In</b>	
Sensibilidad de entrada	250mVrms @100Hz
<b>Altavoz</b>	
Altavoz principal	101.6mm 8ohm 10W
Tweeter	36mm 8ohm 10W

<b>Bluetooth®</b>	
(La palabra Bluetooth® y los logotipos son marcas comerciales registradas propiedad de Bluetooth SIG, Inc.)	
Versión Bluetooth	5.0 certificado
Perfil Bluetooth	A2DP/SCMS-T/AVRCP
Potencia de transmisión	Potencia de clase 2
Alcance de transmisión	Óptima: 10 metros máximo (33 pies) Posible: 30 metros máximo (100 pies) (varía en función de las condiciones de uso)
Códec compatible	SBC
Perfil Bluetooth compatible	A2DP/AVRCP
Potencia máxima de altavoz frecuencia	BT EDR: 3.08dBm BT LE: 3.88dBm
Frecuencia de funcionamiento	2402MHz~2480MHz

<b>Toma de carga USB</b>	
Potencia máxima de alimentación de la toma USB	5V, 2,1A

<b>General</b>	
Adaptador de alimentación de CA	Entrada CC 12 V 1,5 A, pin central positivo
Batería	Batería deslizable: 10.8 V-12V máx. 14.4 V 18 V
Dimensiones (ancho x alto x largo)	206mm × 199mm × 217mm
Peso	2,7 kg (sin la batería)

La compañía se reserva el derecho para modificar las especificaciones sin previo aviso.

**Makita Europe N.V.** Jan-Baptist Vinkstraat 2,  
3070 Kortenberg, Belgium

**Makita Corporation** 3-11-8, Sumiyoshi-cho,  
Anjo, Aichi 446-8502 Japan

XRM11-NA2-1909  
3A81dF5Z20000

[www.makita.com](http://www.makita.com)

SJN