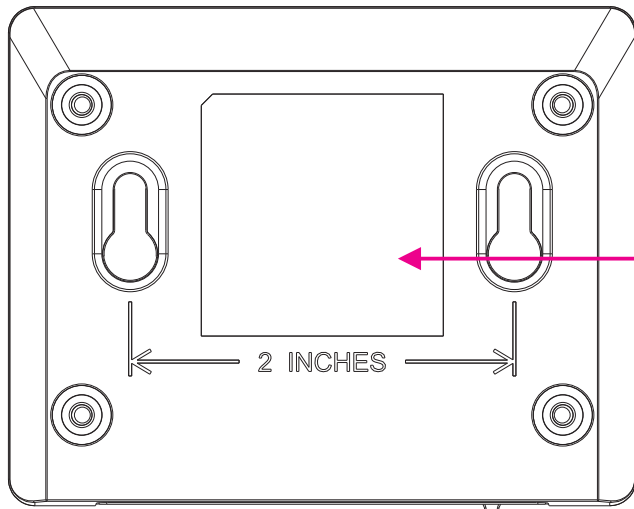


RF-BTR319

Q10917G



1:1



size:31.2*31.2mm
ground:black
word:white

