

E892

ATTENTION PARENTS:

IT IS RECOMMENDED THAT THIS TOY AND ALL ACCESSORIES BE PERIODICALLY EXAMINED FOR POTENTIAL HAZARDS AND THAT ANY POTENTIALLY HAZARDOUS PARTS BE REPAIRED OR REPLACED

CAUTION- ELECTRIC TOY

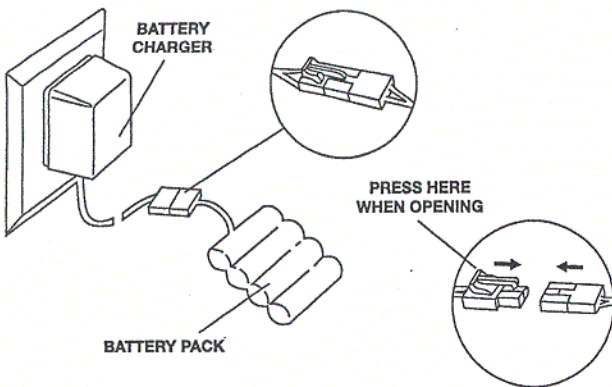
Not recommended for children under 6 years of age. As with all electric products, precautions should be observed during handling and use to prevent electric shock. Input: 120VAC, 60HZ 4.5W Only. Output: 6VDC, 0.2A

INSTRUCTIONS

BATTERY INSTALLATION:

(THE RECHARGEABLE NI-Cd BATTERY PACK IS NOT CHARGED. PLEASE CHARGE IT FOR 4 HOURS PRIOR TO USE)

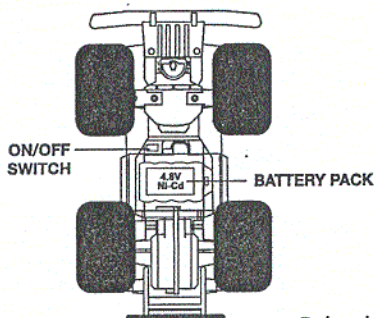
1. Plug the Battery Charger into wall outlet.
2. Connect the cables leading from the Battery Pack and the Charger together by snapping the jack and socket tightly (See Diagram 1).
3. To disconnect cables, press down on the clip and pull apart (See Diagram 1).
4. After charging for 4 hours, the Battery Pack will be warm. This condition is normal for fully charged batteries.
5. If the speed of the car slows down suddenly, it is time to recharge.
6. After use, the Battery Pack will be hot. Wait at least 20 minutes until it cools before recharging. Recharging a warm or hot Battery Pack will shorten the life of the battery.



(DIAGRAM 1)

VEHICLE:

1. Push the ON/OFF switch to "OFF" position (See Diagram 2).
2. Plug the jack of the battery pack into the socket of the battery compartment.
3. Insert the battery pack into the battery compartment (See Diagram 2).
4. Replace the battery cover.

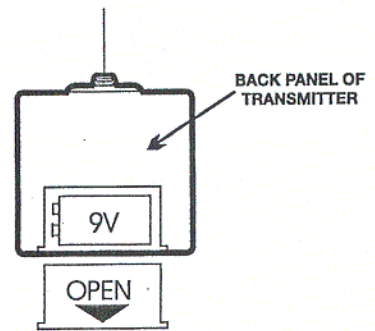


(DIAGRAM 2)

Scientific Toys Ltd.
FCC ID: BY3E892
Exhibit #: 4A

TRANSMITTER:

1. Slide open the battery cover at the back of the transmitter. Place the 9V battery inside, following the engraved + and - signs (See Diagram 3).
2. Replace the battery cover.

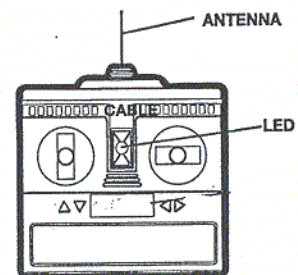


(DIAGRAM 3)

VEHICLE OPERATION:

START TO PLAY:

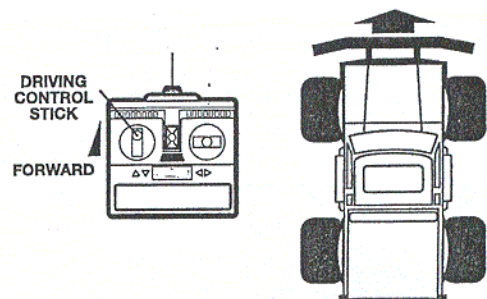
1. Push the transmitter ON/OFF switch to the "ON" position. The LED will light up (See Diagram 4).
2. Push the vehicle ON/OFF switch to the "ON" position (See Diagram 2).



(DIAGRAM 4)

FORWARD RUNNING:

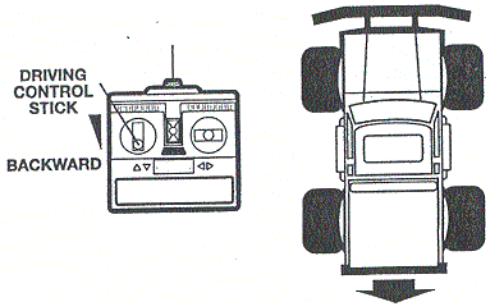
Push the Driving Control Stick forward (See Diagram 5).



(DIAGRAM 5)

REVERSE RUNNING:

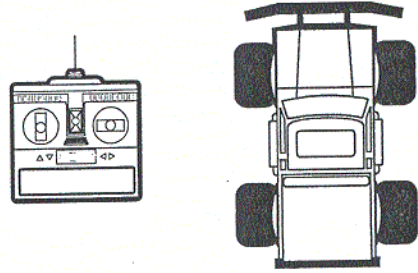
Pull the Driving Control Stick backward (See Diagram 6).



(DIAGRAM 6)

STOPPING:

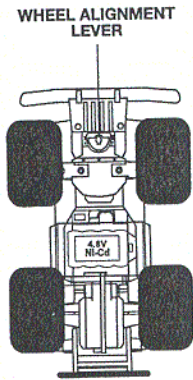
Release both Control Sticks to stop the vehicle (See Diagram 10).



(DIAGRAM 10)

FRONT WHEELS STEERING ADJUSTMENT:

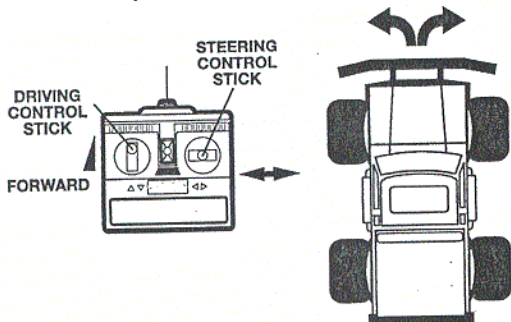
If the vehicle does not run straight, adjust the lever for satisfactory alignment on the underside of the vehicle (See Diagram 7)



(DIAGRAM 7)

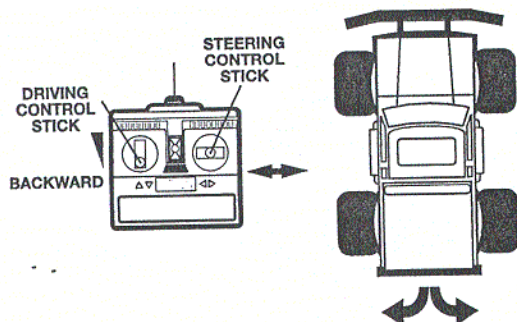
STEERING:

1. Turn the Steering Control Stick to the left or right while pushing the Driving Stick forward at the same time, the vehicle will turn left or right and run forward (See Diagram 8).



(DIAGRAM 8)

2. Turn the Steering Control Stick to the left or right while pulling the Driving Stick backward at the same time, the vehicle will turn left or right and run backward (See Diagram 9).



(DIAGRAM 9)

PERFORMANCE TIPS:

- Do not drive in grass, sand, carpet or through water
- Be sure to rest your vehicle for at least 30 minutes after every 15 minutes of operation.
- Make sure the ON/OFF switch on your vehicle is on "OFF" when not in use.
- Do not bend the antenna.
- Electrical, CB interference, mobile phones, air conditioning, elevators and steel girders in the building will affect the operation of your vehicle.
- Do not leave the vehicle or transmitter near sources of heat or under direct sunlight for long periods of time.
- Remove the batteries from the vehicle and transmitter when not in use.

CAUTION: ELECTRIC TOY

Not recommended for children under 6 years of age. As with all electric products, precautions should be observed during handling and use to prevent electric shock.

INPUT : 120VAC-60Hz-4.5W ONLY
OUTPUT : 6VDC-0.2A

FCC NOTE : THE MANUFACTURER IS NOT RESPONSIBLE FOR ANY RADIO OR TV INTERFERENCE CAUSED BY UNAUTHORIZED MODIFICATIONS TO THIS EQUIPMENT. SUCH MODIFICATIONS COULD VOID THE USER'S AUTHORITY TO OPERATE THE EQUIPMENT.

Scientific Toys Ltd.
FCC ID: BY3E892
Exhibit #: 4B