

# INTERACTIVE 3-D DINOSAURS

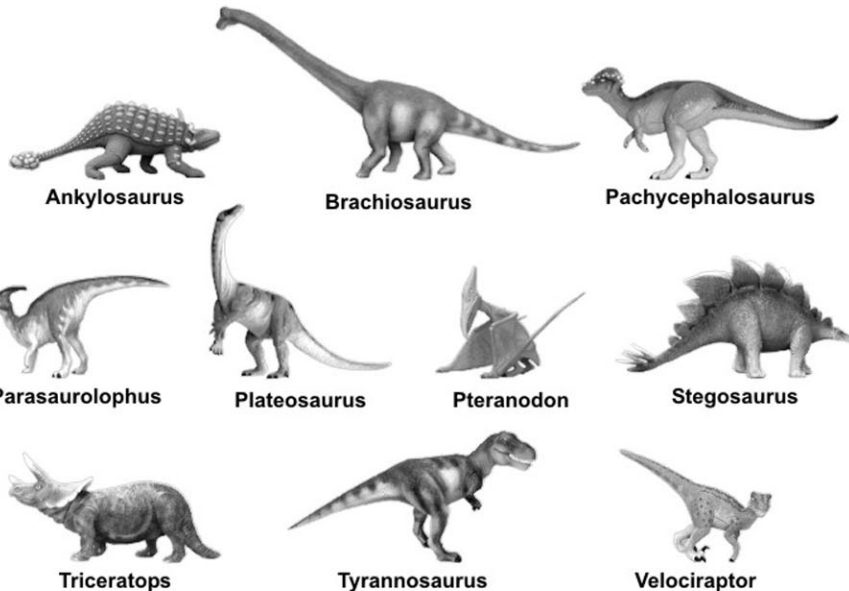
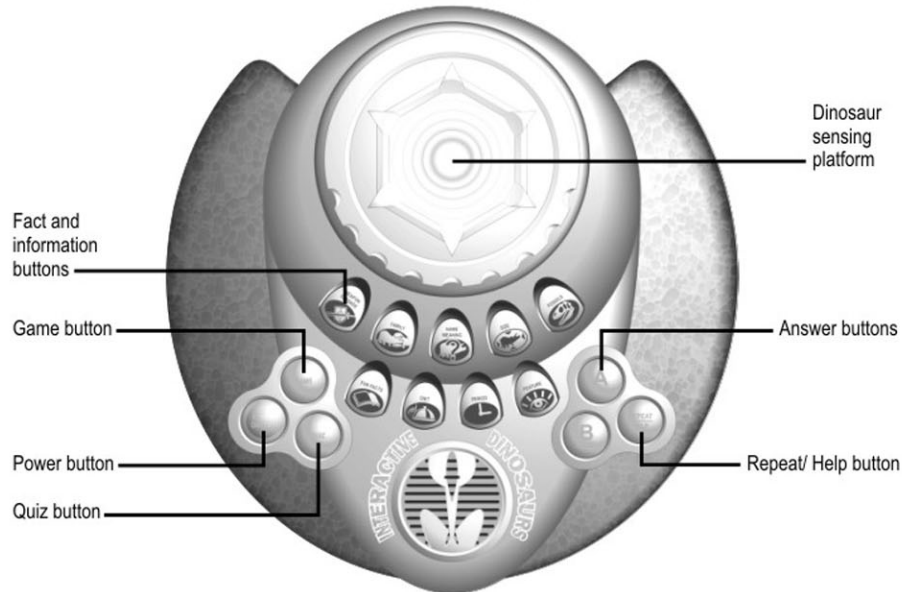
Operating Instructions

## Introduction

The INTERACTIVE 3D DINOSAURS from SCIENTIFIC TOYS brings you closer than ever to the pre-historic era, a time when the dinosaurs ruled the Earth. With ten realistic dinosaur models, this interactive learning center teaches fascinating facts and information about some of the most famous dinosaurs. Find out about their appearance, diet, special survival skills and much more! Challenge your knowledge through a series of questions and answers designed to reinforce your learning experience. Have fun with two exciting games. Travel back in time now and let the adventure begin!



DIAGRAM 1



## Included in this Package

1. One "Interactive 3D Dinosaurs" unit
2. Ten Dinosaur figures.
3. One instruction manual.

**WARNING:** All packing materials, such as wrapping tapes, plastic sheets, wire ties and tags are not part of this toy. For your child's safety, they should be discarded before use.

## Battery Requirement

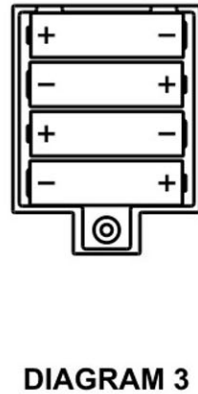
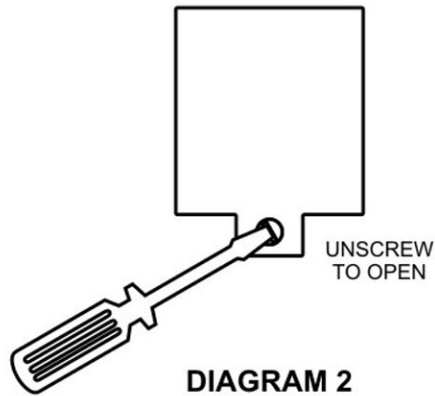
The "Interactive 3D Dinosaurs" operates on DC 6V four "AA" size batteries.

### Battery Installation

1. Locate the battery case cover at the back of the "Interactive 3D Dinosaurs".
2. Make sure the unit is OFF. Unscrew to open the battery compartment lid. (See Diagram 2)
3. Load the new batteries. Make sure that the polarities, as indicated by the batteries' plus (+) and minus (-) signs, correspond with the diagram of the battery compartment. (See Diagram 3)
4. Close the battery compartment door and screw to lock.

### Tips for maximum performance

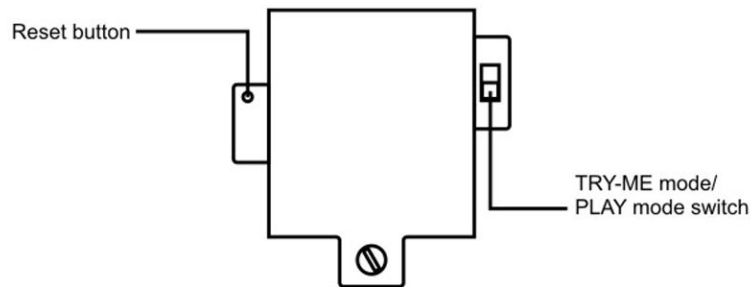
1. Use alkaline batteries.
2. Do not mix new and used batteries.
3. Do not mix alkaline, standard, carbon-zinc, or rechargeable (Nickel-cadmium) batteries.
4. To avoid battery drainage, take out all batteries if the unit will not be used for more than 30 days.
5. If the unit malfunctions, turn it off for a moment and then turn it on again. If the problem persists, please install a new set of batteries.



## To Switch to PLAY mode

The TRY-ME mode is only used for store display. Switch the unit to the PLAY mode before playing.

1. Make sure the unit is OFF.
2. Locate the mode switch at the back of the “Interactive 3D Dinosaurs” next to the battery compartment.
3. Slide the mode switch from TRY-ME to PLAY.



**DIAGRAM 4**

## To Begin Play

1. Press the POWER button to turn on the “Interactive 3D Dinosaurs”. The unit plays an opening greeting with music.
2. To select a dinosaur, put a dinosaur figure on the DINOSAUR SENSING PLATFORM. The unit will identify the name of the dinosaur. For example, “This is a Tyrannosaurus”
3. Press an INFORMATION button to learn about various characteristics of the selected dinosaur.
4. Press the QUIZ button to test your knowledge on the dinosaurs.
5. Press the GAME button to learn more through two fun and exciting games.
6. The lights beneath the platform will light up when a dinosaur is detected.

## Dinosaur Features

The “Interactive 3D Dinosaurs” introduces ten dinosaurs. They are Ankylosaurus, Brachiosaurus, Pachycephalosaurus, Plateosaurus, Parasaurolophus, Pteranodon, Stegosaurus, Triceratops, Tyrannosaurus, and Velociraptor. Nine different characteristics of each dinosaur are covered in detail.

## Quiz

1. The “Interactive 3D Dinosaurs” randomly asks a question when the QUIZ button is pressed. There are three types of questions: “True or False”, “Multiple choice” and “Which dinosaur...” questions.
2. For “True or False” and “Multiple choice” questions, press the ANSWER button to answer the question.
3. For the “Which dinosaur...” questions, put a dinosaur on the DINOSAUR SENSING PLATFORM to answer the question.
4. You have one minute to answer the question. The “Interactive 3D Dinosaurs” automatically plays the answer if there is no input answer after one minute.

## Game

There are two games installed in the "Interactive 3D Dinosaurs". Press the GAME button to alternate between the two games.

### ***Dinosaur Hunt***

The "Interactive 3D Dinosaurs" plays a clue for you to find the mystery dinosaur. Choose the correct dinosaur and put it on the platform. If you cannot find the right dinosaur, the unit plays another clue. Three chances are given for each trial.

### ***Dinosaur Adventure Game***

You are the dinosaur in this game! You will face food problems, natural disasters, predators, and much more. Make wise choice to overcome all the obstacles and survive! You can choose to be any one of the dinosaurs by putting the dinosaur figure on the DINOSAUR SENSING PLATFORM. The unit plays the situation and offers choices. Press the ANSWER button to make your choice.

## Playing tips

1. Put only one dinosaur at a time on the DINOSAUR SENSING PLATFORM.
2. If dinosaurs are not consistently detected and recognized, insert new batteries.
3. The INFORMATION buttons respond only when a dinosaur is on the platform.

## To End Play

Press the POWER button again to turn off the "Interactive 3D Dinosaurs".

## Auto Power Off

If there is no input for one minute, the "Interactive 3D Dinosaurs" plays a reminder ("Press a button"). If there is no further input for another minute, the reminder repeats. The "Interactive 3D Dinosaurs" will automatically turn off if there is no input for 3 minutes. To resume play, press the POWER button to turn ON the unit.

## Repeat/Help button

Press the Repeat/Help button at any time, the unit will give you a hint or repeat the last sentence played.

## Reset button

If the unit stops operating, press the RESET button located at the back of the unit next to the battery compartment.

## Care and Maintenance

1. Keep the unit clean by wiping it with a slightly damp cloth.
2. Keep the unit out of direct sunlight and away from direct sources of heat.
3. Remove the batteries when the unit will not be in use for an extended period of time.
4. Do not drop the unit on hard surfaces or try to dismantle it in any way.
5. Do not dampen the unit or expose it to moisture.

FCC NOTE: THE MANUFACTURER IS NOT RESPONSIBLE FOR ANY RADIO OR TV INTERFERENCE CAUSED BY UNAUTHORIZED MODIFICATIONS TO THIS EQUIPMENT. SUCH MODIFICATIONS COULD VOID THE USER'S AUTHORITY TO OPERATE THE EQUIPMENT.