



**FLX RACER**

**OPERATING INSTRUCTIONS:**

**ATTENTION PARENTS:**

IT IS RECOMMENDED THAT THIS TOY AND ALL ACCESSORIES BE PERIODICALLY EXAMINED FOR POTENTIAL HAZARDS AND THAT ANY POTENTIALLY HAZARDOUS PARTS BE REPAIRED OR REPLACED.

**BATTERY LOADING:**

(FOR MAXIMUM PERFORMANCE, USE ALKALINE BATTERIES)

Remember to take out all batteries from the vehicle and transmitter after playing.

1. Do not mix old and new batteries.
2. Do not mix alkaline, standard (Carbon-Zinc), or rechargeable (nickel metal hydride) batteries.

**HOW TO INSTALL BATTERIES IN VEHICLE**

1. Turn over the vehicle and push the ON/OFF to "OFF" position. (See Diagram 1)
2. Open the battery cover. (See Diagram 1)
3. Insert 3 x "AAA" alkaline batteries by matching the (+) and (-) signs as indicated in the battery compartment (See Diagram 2)
4. Replace the battery cover.

NOTE: USE ONLY ALKALINE AAA BATTERIES

**HOW TO INSTALL BATTERY IN TRANSMITTER**

1. Unscrew to open the battery lid. Insert 2 x AA batteries. (See Diagram 3)
2. Replace the battery cover.

NOTE: REMOVE BATTERY AFTER YOU HAVE FINISHED USING YOUR VEHICLE.

**HOW TO PLAY**

**PAIRING TRANSMITTER WITH VEHICLE**

1. Turn ON the vehicle (See Diagram 5).
2. Install 2 x AA battery in the transmitter, the pairing LED light on the transmitter will flash (See Diagram 3 & 4).
3. If pairing success, the pairing LED light will turn OFF.
4. You must pairing the transmitter with the vehicle within 45 seconds, after 45 seconds you must push the control on the transmitter to pair again.
5. You must repeat pairing again when the transmitter needs to replace new batteries.

**Notes:**

1. If pairing failed, reinstall the battery of transmitter, move closer and then try again.
2. If more then one vehicle are pairing at the same time, pair each vehicle one by one.

Vehicle has memory to store the paired data, no need to pair each time play until replace the battery in transmitter

**OPERATION**

1. Operate the vehicle with the transmitter (See Diagram 6).
2. Turn OFF the vehicle after playing and remove all batteries from the transmitter and the car.
3. To adjust steering alignment, adjust the "Steering Alignment Lever" on the underside of the vehicle when the vehicle does not run straight forward (See Diagram 7).

**PERFORMANCE TIPS:**

- Don't go through water.
- Use fresh alkaline batteries.
- Be sure to rest your vehicle for at least 30 minutes after every 15 minutes of operation.
- Make sure ON/OFF switch on your vehicle is OFF when not in use.
- Don't bend antenna.
- Electrical, CB interference, mobile phones, air conditioning, elevators and steel girders in building will affect the operation of your vehicle.
- Don't leave the vehicle or transmitter near sources of heat or under direct sunlight for long periods of time.
- Remove the batteries from the vehicle and transmitter when not in use.

This device complies with Part 15 of the FCC Rules.

Operation is subject to the following two conditions:

- (1) this device may not cause harmful interference, and
- (2) this device must accept any interference received, including interference that may cause undesired operation.

Warning: Changes or modifications to this unit not expressly approved by the party responsible for compliance could void the user's authority to operate the equipment.  
NOTE: This equipment has been tested and found to comply with the limits for a Class B digital device, pursuant to Part 15 of the FCC Rules. These limits are designed to provide reasonable protection against harmful interference in a residential installation. This equipment generates, uses and can radiate radio frequency energy and, if not installed and used in accordance with the instructions, may cause harmful interference to radio communications.

However, there is no guarantee that interference will not occur in a particular installation. If this equipment does cause harmful interference to radio or television reception, which can be determined by turning the equipment off and on, the user is encouraged to try to correct the interference by one or more of the following measures:

- Reorient or relocate the receiving antenna.
- Increase the separation between the equipment and receiver.
- Connect the equipment into an outlet on a circuit different from that to which the receiver is connected.
- Consult the dealer or an experienced radio/TV technician for help.

**IMPORTANT**

If you experience any problems or issues with this item do not take it back to the store where you purchased. Please email [service@scientific.com.hk](mailto:service@scientific.com.hk) and we will be happy to assist you in resolving any issues you may have. We thank you for your purchase.



**6+**

CONFORMS TO THE SAFETY REQUIREMENTS OF ASTM F963.

**3x3**

NOT INCLUDED

**2x2**

NOT INCLUDED

Contents and colors may vary.

Batteries are demonstration purposes only. They should be replaced upon purchase for optimal performance.

Do not mix old and new batteries. Do not mix alkaline, standard (carbon-zinc), or rechargeable batteries.

FAST LANE IS A MARK OF (EST UNE MARQUE DE/ ES UNA MARCA DE) GEOFFREY, LLC, A SUBSIDIARY OF (UNE FILIALE DE/UNA SUBSIDIARIA DE) TOYS "R" US, INC. © 2016 GEOFFREY, LLC  
MADE IN CHINA (FABRIQUÉE EN CHINE/FABRICADO EN CHINA)

DISTRIBUTED IN THE UNITED STATES BY (DISTRIBUÉE AUX ÉTATS-UNIS PAR/DISTRIBUIDO EN LOS ESTADOS UNIDOS POR)

TOYS "R" US, INC., WAYNE, NJ 07470  
IMPORTED BY (IMPORTÉ PAR/IMPORTADO EM) TOYS "R" US (CANADA) LTD. (LTÉE), 2777 LANGSTAFF ROAD, CONCORD, ON L4K 4M5  
DISTRIBUTED IN AUSTRALIA BY (DISTRIBUÉE EN AUSTRALIE PAR/ DISTRIBUIDO EN AUSTRALIA POR) TOYS "R" US (AUSTRALIA (AUSTRALIE)) PTY LTD. (LTÉE), REGENTS PARK NSW 2143

[www.toysrus.com](http://www.toysrus.com)

[www.toysrus.ca](http://www.toysrus.ca)

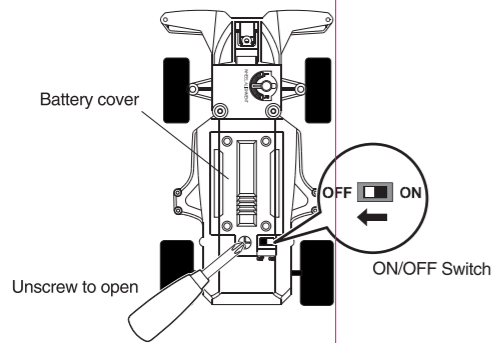


DIAGRAM 1

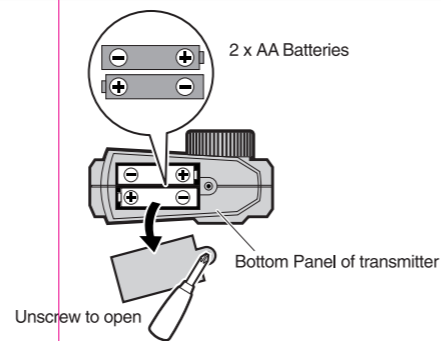


DIAGRAM 3

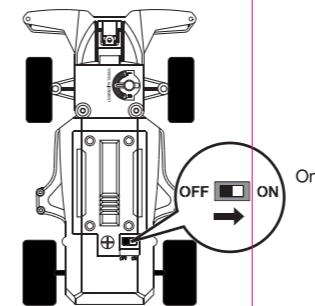


DIAGRAM 5

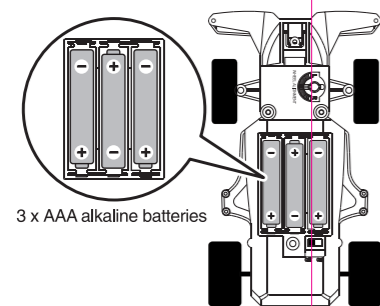


DIAGRAM 2

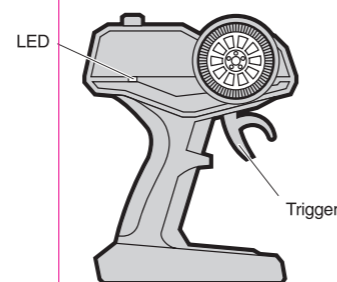


DIAGRAM 4

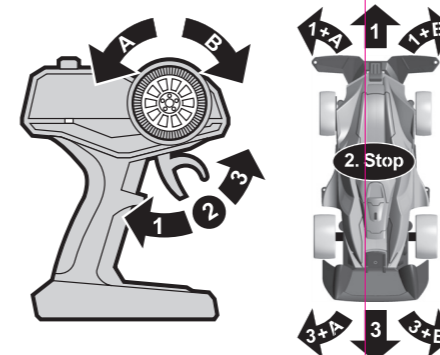


DIAGRAM 6

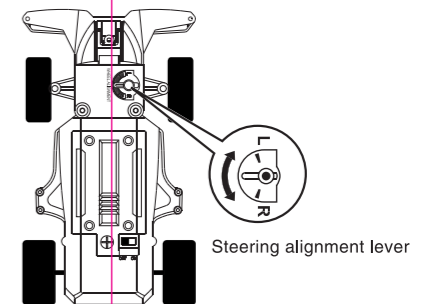


DIAGRAM 7