

CAUTION-ELECTRIC TOY:

Not recommended for children under 6 years of age. As with all electric products, precautions should be observed during handling and use to prevent electric shock.

CAUTION-SUPERVISION REQUIRED-ELECTRIC TOY - UNPLUG WHEN NOT IN USE. INPUT: 120V AC, 60HZ, 10W OUTPUT: 12V DC, 350mA

INSTRUCTION MANUAL

ATTENTION PARENTS

It is recommended that this toy and all accessories be periodically examined for potential hazards and that any potentially hazardous parts be repaired or replaced.

IMPORTANT:

Please note the vehicle uses a 9.6V Rechargeable Battery Pack and the Battery Pack is charged by a Charger .

BATTERY LOADING

(The rechargeable battery pack is not charged, please charge it for 2 hours prior to use)

1. Plug the wall pack battery charger into wall outlet. (See Diagram 1)
2. Click the battery pack into the charger. Make certain the battery pack is secure in charger.
3. To disconnect, push the button of the charger (See Diagram 1) and simultaneously slide battery pack out.
4. You should charge the battery pack for 2 hours.
5. If the speed of the car slows down suddenly, it is time to recharge.
6. After use, the battery pack will be hot! Wait at least 20 minutes until it cools before recharging. Recharging a warm or hot battery pack will greatly shorten the battery life.
7. The toy must be used with the recommended transformer.
8. The transformer is not a toy.

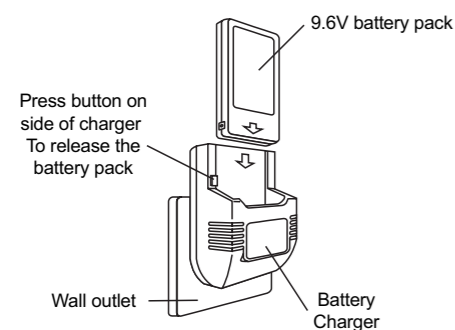


DIAGRAM #1

BATTERY INSTALLATION

HOW TO INSTALL BATTERY IN VEHICLE

1. Make sure the "ON/OFF" switch at the underside of the vehicle is at the "OFF" position. (See Diagram #2)
2. Unscrew to open battery cover.(See Diagram #2)
3. Place the 9.6V battery pack inside securely and replace the battery cover. (See Diagram #3)
4. Replace the battery cover and tighten the screw to secure the battery cover.

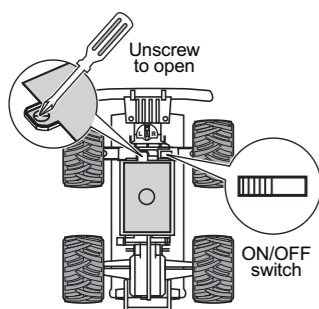


DIAGRAM #2

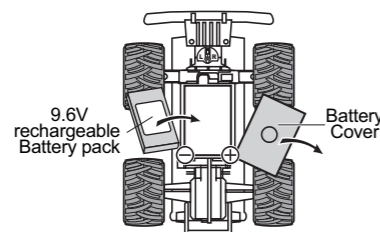


DIAGRAM #3

HOW TO INSTALL BATTERY IN TRANSMITTER

1. Unscrew to open the battery lid. Insert a new 2 x AA batteries. (See diagram #4).
2. Replace battery cover.

Note: Remove battery after you have finished using your vehicle.

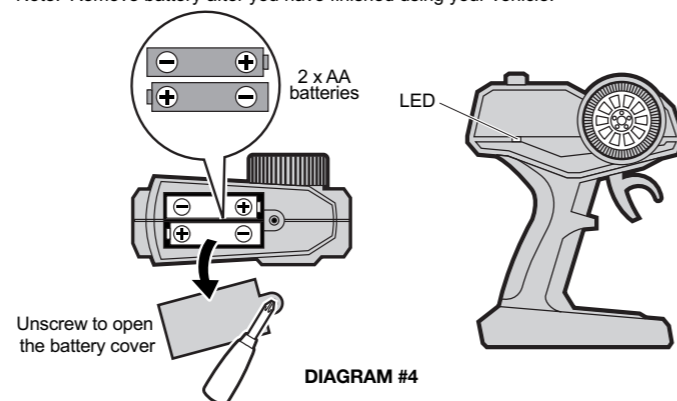


DIAGRAM #4

HOW TO PLAY

START TO PLAY

PAIRING TRANSMITTER WITH VEHICLE

1. Turn ON the vehicle (See diagram #5).
2. Install 2 x AA battery in the transmitter, the pairing LED light on the transmitter will flash (See diagram #4).
3. If pairing success, the pairing LED light will turn OFF
4. You must pairing the transmitter with the vehicle within 45 seconds, after 45 seconds you must push the control on the transmitter to pair again.
5. You must repeat pairing again when the transmitter needs to replace new batteries.

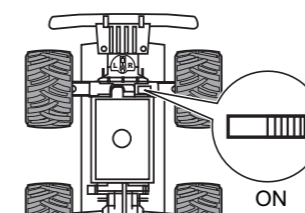


DIAGRAM #5

6. Operate the vehicle with the transmitter. (See Diagram #6)
7. After playing, slide the ON/OFF switch to the "OFF" position of the vehicle.

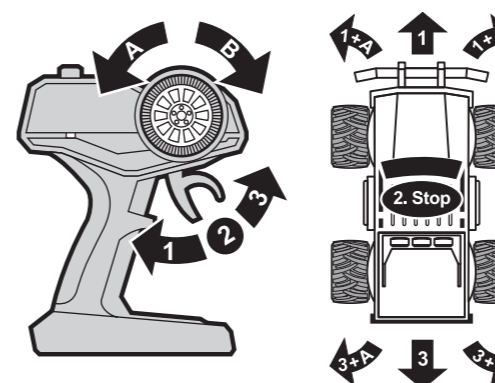


DIAGRAM #6

FRONT WHEELS STEERING ADJUSTMENT

8. If the vehicle does not run straight forward, adjust the Steering Alignment Lever on the underside of the vehicle. (See Diagram #7)
9. If the vehicle runs towards left, turn Steering Alignment Lever towards "R".
10. If the vehicle runs towards right, turn Steering Alignment Lever towards "L".

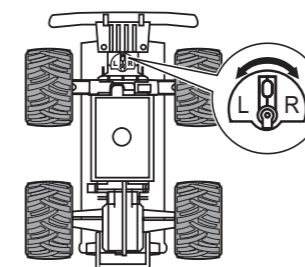


DIAGRAM #7

BATTERY CAUTIONS

1. Do not charge non-rechargeable batteries.
2. Remove rechargeable batteries from the toy before recharging.
3. Rechargeable batteries are to be recharged under adult supervision.
4. Different types of batteries, new and used batteries are not to be mixed.
5. Only batteries of the same or equivalent type as recommended are to be used.
6. Batteries are to be inserted with the correct polarity.
7. Exhausted batteries are to be removed from the toy.
8. The supply terminals are not to be short-circuited.
9. The transformer is not a toy.
10. The toy must be used with the recommended transformer.
11. This toy is not intended for children under 3 years old.
12. Do not charge battery pack that is hot, wet or shows leakage or corrosion.
13. The battery pack may explode if disposed of in fire.
14. Do not disassemble the battery pack.
15. If the battery pack and connectors are wet, thoroughly dry before charging.
16. Overcharging can damage the battery pack. Charge according to recommended time.
17. This toy and all accessories must be periodically examined for potential hazards, and that potentially hazardous parts must be repaired and replaced before use.

WARNING: CHOKING HAZARD - SMALL PARTS, NOT FOR CHILDREN UNDER 3 YEARS.

FCC INFORMATION

This equipment has been tested and found to comply with the limits for a Class B digital device, pursuant to Part 15 of the FCC Rules. These limits are designed to provide reasonable protection against harmful interference in a residential installation. This equipment generates, uses, and can radiate radio frequency energy and, if not installed and used in accordance with the instructions, may cause harmful interference to radio communications. However, there is no guarantee that interference will not occur in a particular installation. If this equipment does cause harmful interference to radio or television reception, which can be determined by turning the equipment off and on, the user is encouraged to try to correct the interference by one or more of the following measures:

- Reorient or relocate the receiving antenna.
- Increase the separation between the equipment and receiver.
- Connect the equipment into an outlet on a circuit different from that to which the receiver is connected.
- Consult your local RadioShack store or an experienced radio/TV technician for help.

If you cannot eliminate the interference, the FCC requires that you stop using your equipment. Changes or modifications not expressly approved by the party responsible for compliance could void the user's authority to operate the equipment. This device complies with Part 15 of the FCC rules. Operation is subject to the following two conditions: (1) this device may not cause harmful interference, and (2) this device must accept any interference received, including interference that may cause undesired operation.



EZTEC[®]
www.eztec.com

EZ-TEC[®] IS A REGISTERED TRADEMARK OWNED BY SCIENTIFIC TOYS, LTD.

© 2015 SCIENTIFIC TOYS LTD. 1108, TOWER B,
14 SCIENCE MUSEUM ROAD, TSIMSHATSUI, HONG KONG.
PRINTED IN CHINA
O.I. NO.5874



WARNING:
CHOKING HAZARD-
Small parts, Not for children under 3 years

SIZE: 210 X 297MM

PN#65-5874-000-0100