

Exhibit C

FCC ID: Bxzu981

*PC	PC-BOARD VERSION	40331 C				10378
.	ANTENNA FOR U981RX & U910E					450511
C104	CAP.CHIP X7R	2N2	0805	25V	10	40434
C105	CAP.CHIP X7R	U10	0805	25V	10	40692
C106	CAP.CHIP X7R	U10	0805	25V	10	40692
C107	CAP.CHIP NPO	N10	0805	25V	5%	40492
C108	CAP.CHIP NPO	N56	0805	25V	5%	40501
C109	CAP.CHIP NPO	N27	0805	25V	5%	40497
C110	CAP.CHIP NPO	N10	0805	25V	5%	40492
C112	CAP.AL-LYT CHIP	33U		10V	20	40630
C113	CAP.CHIP X7R	4N7	0805	25V	10	40438
C114	CAP.CHIP NPO	N56	0805	25V	5%	40501
C115	CAP.CHIP NPO	2P2	0805	25V	P2	40473
C116	CAP.CHIP X7R	10N	0805	50V	10	40442
C121	CAP.CHIP NPO	N10	0805	25V	5%	40492
C129	CAP.CHIP X7R	10N	0805	50V	10	40442
C130	CAP.TANTAL CHIP	1U0	A	16V	20	40519
C131	CAP.CHIP NPO	22P	0805	25V	5%	40484
C132	CAP.CHIP NPO	33E	0805	25V	5%	40486
C133	CAP.CHIP X7R	4N7	0805	25V	10	40438
C134	CAP.CHIP NPO	22P	0805	25V	5%	40484
C135	CAP.CHIP NPO	22P	0805	25V	5%	40484
C136	CAP.CHIP X7R	10N	0805	50V	10	40442
C137	CAP.TANTAL CHIP	1U0	A	16V	20	40519
C138	CAP.CHIP X7R	10N	0805	50V	10	40442
C139	CAP.CHIP X7R	47N	0805	25V	10	40691
C140	CAP.CHIP X7R	10N	0805	50V	10	40442
C141	CAP.CHIP NPO	N10	0805	25V	5%	40492
C300	TRIMCAP.CHIP	6P	3*4,5MM	ALT/M	URA	50021
C301	CAP.CHIP NPO	N10	0805	25V	5%	40492
C302	TRIMCAP.CHIP	6P	3*4,5MM	ALT/M	URA	50021
C303	CAP.CHIP X7R	2N2	0805	25V	10	40434
C304	CAP.CHIP X7R	2N2	0805	25V	10	40434
C305	TRIMCAP.CHIP	6P	3*4,5MM	ALT/M	URA	50021
C306	CAP.CHIP NPO	N56	0805	25V	5%	40501
C307	CAP.CHIP NPO	1P8	0805	25V	P2	40472
C308	CAP.CHIP NPO	33P	0805	25V	5%	40486
C309	CAP.CHIP NPO	15P	0805	25V	5%	40482
C310	CAP.CHIP NPO	15P	0805	25V	5%	40482
C311	CAP.CHIP X7R	10N	0805	50V	10	40442
C312	CAP.CHIP X7R	5N6	0805	25V	10	40439
C313	CAP.CHIP NPO	2P2	0805	25V	P2	40473
C314	CAP.CHIP X7R	47N	0805	25V	10	40691
C315	TRIMCAP.CHIP	10P	3*4,5MM	ALT/M	URA	50020
C316	CAP.CHIP NPO	8P2	0805	25V	5%	40506
C317	CAP.CHIP X7R	2N2	0805	25V	10	40434
C318	CAP.CHIP X7R	2N2	0805	25V	10	40434
C319	CAP.CHIP NPO	3P9	0805	25V	P2	40476
C320	TRIMCAP.CHIP	6P	3*4,5MM	ALT/M	URA	50021
C321	CAP.CHIP X7R	2N2	0805	25V	10	40434
C322	CAP.CHIP NPO	4P7	0805	25V	P2	40477
C323	CAP.CHIP X7R	2N2	0805	25V	10	40434
C324	CAP.CHIP X7R	10N	0805	50V	10	40442
C326	CAP.CHIP NPO	1P8	0805	25V	P2	40472
C327	CAP.CHIP X7R	47N	0805	25V	10	40691
C328	CAP.CHIP NPO	1P8	0805	25V	P2	40472
C329	CAP.CHIP NPO	6P8	0805	25V	P5	40479
C331	CAP.CHIP X7R	U10	0805	25V	10	40692
C332	CAP.CHIP X7R	U10	0805	25V	10	40692
C333	CAP.CHIP NPO	N10	0805	25V	5%	40492

FCC ID: BXZU98J

C334	CAP.CHIP NPO	N56	0805	25V	5%	40501
C336	CAP.CHIP NPO	N56	0805	25V	5%	40501
C338	CAP.CHIP NPO	N56	0805	25V	5%	40501
C339	CAP.CHIP X7R	10N	0805	50V	10	40442
C340	CAP.TANTAL CHIP	1U0	A	16V	20	40519
C341	CAP.CHIP X7R	2N2	0805	25V	10	40434
C342	CAP.CHIP NPO	1P8	0805	25V	P2	40472
C343	CAP.CHIP X7R	2N2	0805	25V	10	40434
C344	CAP.CHIP NPO	1P8	0805	25V	P2	40472
C345	CAP.CHIP X7R	47N	0805	25V	10	40691
C346	CAP.CHIP NPO	N10	0805	25V	5%	40492
D100	DIODE	SOT143	BA528	OR EQ V		70160
D300	DIODE, TUNING	SOD323	BB535	OR EQ V		70214
FL301	FILTER CER.	KBF-455R-15A				120040
IC100	IC RADIOCIRCUIT		539-B106			80307
IC101	MICROPROCESSOR	"..."	UPD75008			80541
IC102	EE-PROM 1K	S0-8	XL93LC46			80560
L102	COIL M0 SMD					60166
L301	COIL CHIP	15NH	0805CS		20	60170
L302	COIL CHIP	U47H	1008CS		10	60133
L303	COIL U1 SMD					60167
L304	COIL CHIP	56NH	0805CS		10	60171
L305	COIL CHIP	15NH	0803CS		20	60170
L306	COIL CHIP	U22H	0805CS		10	60178
L307	COIL CHIP	U22H	0805CS		10	60178
L308	COIL CHIP	U22H	0805CS		10	60178
L309	COIL CHIP	15NH	0803CS		20	60170
L311	COIL CHIP	U22H	0805CS		10	60178
LED100	LIGHT EMITT, DIODE SMD	RED	CL-170			90062
P100	TRIMPOT.CHIP	M47	RH03A3A	0W1	25	30080
R103	RESISTOR CHIP	1K5	0805	0W1	5%	20404
R104	RESISTOR CHIP	47K	0805	0W1	5%	20422
R105	RESISTOR CHIP	10K	0805	0W1	5%	20414
R106	RESISTOR CHIP	2M2	0805	0W1	5%	20442
R107	RESISTOR CHIP	1M5	0805	0W1	5%	20440
R108	RESISTOR CHIP	2M2	0805	0W1	5%	20442
R109	RESISTOR CHIP	M47	0805	0W1	5%	20434
R110	RESISTOR CHIP	M47	0805	0W1	5%	20434
R111	RESISTOR CHIP	M47	0805	0W1	5%	20434
R113	RESISTOR CHIP	10M	1206	0W1	10	20510
R115	RESISTOR CHIP	M10	0805	0W1	5%	20426
R121	RESISTOR CHIP	M10	0805	0W1	5%	20426
R123	RESISTOR CHIP	M10	0805	0W1	5%	20426
R141	RESISTOR CHIP	2M2	0805	0W1	5%	20442
R142	RESISTOR CHIP	1M2	0805	0W1	5%	20439
R157	RESISTOR CHIP	N56	0805	0W1	5%	20435
R158	RESISTOR CHIP	K68	0805	0W1	5%	20400
R159	RESISTOR CHIP	M10	0805	0W1	5%	20426
R160	RESISTOR CHIP	M33	0805	0W1	5%	20432
R161	RESISTOR CHIP	1M0	0805	0W1	5%	20438
R162	RESISTOR CHIP	1M0	0805	0W1	5%	20438
R163	RESISTOR CHIP	M10	0805	0W1	5%	20426
R164	RESISTOR CHIP	M10	0805	0W1	5%	20426
R165	RESISTOR CHIP	10K	0805	0W1	5%	20414
R166	RESISTOR CHIP	10K	0805	0W1	5%	20414
R167	RESISTOR CHIP	M47	0805	0W1	5%	20434
R168	RESISTOR CHIP	1K0	0805	0W1	5%	20402
R169	RESISTOR CHIP	1K0	0805	0W1	5%	20402
R170	RESISTOR CHIP	M15	0805	0W1	5%	20428
R171	RESISTOR CHIP	M10	0805	0W1	5%	20426

FCC ID: BxZu981

R300	RESISTOR CHIP	M10	0805	0W1	5%	20426
R301	RESISTOR CHIP	M12	0805	0W1	5%	20427
R302	RESISTOR CHIP	15K	0805	0W1	5%	20416
R303	RESISTOR CHIP	M56	0805	0W1	5%	20435
R304	RESISTOR CHIP	47K	0805	0W1	5%	20422
R305	RESISTOR CHIP	2M2	0805	0W1	5%	20442
R306	RESISTOR CHIP	2M2	0805	0W1	5%	20442
R307	RESISTOR CHIP	2M0	0805	0W1	2%	20509
R308	RESISTOR CHIP	2K7	0805	0W1	5%	20407
R309	RESISTOR CHIP	M33	0805	0W1	5%	20432
R310	RESISTOR CHIP	K68	0805	0W1	5%	20400
R311	RESISTOR CHIP	10K	0805	0W1	5%	20414
R312	RESISTOR CHIP	1K5	0805	0W1	5%	20404
R313	RESISTOR CHIP	2K7	0805	0W1	5%	20407
R314	RESISTOR CHIP	M10	0805	0W1	5%	20426
R316	RESISTOR CHIP	1M0	0805	0W1	5%	20438
R317	RESISTOR CHIP	1K5	0805	0W1	5%	20404
R318	RESISTOR CHIP	4K7	0805	0W1	5%	20410
R319	RESISTOR CHIP	M56	0805	0W1	5%	20435
R320	RESISTOR CHIP	1K5	0805	0W1	5%	20404
R321	RESISTOR CHIP	M33	0805	0W1	5%	20432
R322	RESISTOR CHIP	M56	0805	0W1	5%	20435
R323	RESISTOR CHIP	1K5	0805	0W1	5%	20404
R324	RESISTOR CHIP	1K0	0805	0W1	5%	20402
R325	RESISTOR CHIP	1K0	0805	0W1	5%	20402
R327	RESISTOR CHIP	2K7	0805	0W1	5%	20407
R328	RESISTOR CHIP	K22	0805	0W1	5%	20394
R329	RESISTOR CHIP	K56	0805	0W1	5%	20399
R330	RESISTOR CHIP	K22	0805	0W1	5%	20394
R331	RESISTOR CHIP	K33	0805	0W1	5%	20396
R332	RESISTOR CHIP	M56	0805	0W1	5%	20435
R333	RESISTOR CHIP	K22	0805	0W1	5%	20394
R334	RESISTOR CHIP	K68	0805	0W1	5%	20400
R335	RESISTOR CHIP	K68	0805	0W1	5%	20400
TR100	TRANSISTOR CHIP	SOT23	BC858B		PN	70197
TR101	TRANSISTOR PNP	SOT-23	2SB831BC	OR EQ V		70148
TR102	TRANSISTOR PNP	SOT-23	2SB831BC	OR EQ V		70148
TR300	TRANSISTOR CHIP		MRF9331L	OR EQ V		70174
TR301	TRANSISTOR CHIP		MRF9331L	OR EQ V		70174
TR302	TRANSISTOR CHIP		MRF9331L	OR EQ V		70174
TR303	TRANSISTOR CHIP		MRF9331L	OR EQ V		70174
TR304	TRANSISTOR PNP	SOT-23	2SB831BC	OR EQ V		70148
TR305	TRANSISTOR CHIP	SOT23	BC848C		NP	70196
VR101	VOLTAGE REGULATOR	SOT89	7710YDA	OR EQ V		80434
VR102	VOLTAGE REGULATOR	SOT89	7710YDA	OR EQ V		80434
VR103	VOLTAGE DETECTOR	SOT89	7700YTA			80562
VR104	VOLTAGE DETECTOR	SOT89	7700YVA			80561
X101	CRYSTAL	2,097152 (C22)				101348
X102	CRYSTAL SMD	32.768	HC-316		50	101428

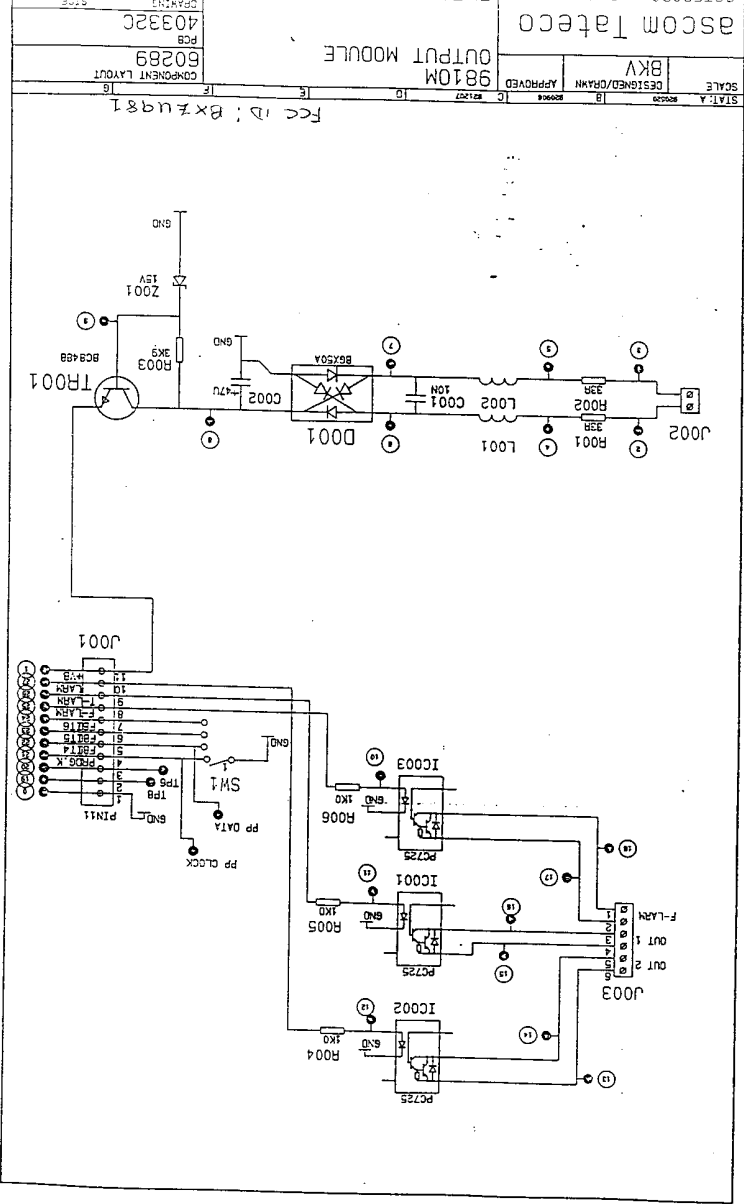


EXHIBIT C

ascam lateco
 9810M
 OUTPUT MODULE
 60289
 40332C
 PCB
 COMPONENT LAYOUT
 SCALE
 DESIGNED/DHANN
 APPROVED
 STA 1 A
 REVISION
 B
 C
 D
 E
 F
 G
 H
 I
 J
 K
 L
 M
 N
 O
 P
 Q
 R
 S
 T
 U
 V
 W
 X
 Y
 Z
 AA
 AB
 AC
 AD
 AE
 AF
 AG
 AH
 AI
 AJ
 AK
 AL
 AM
 AN
 AO
 AP
 AQ
 AR
 AS
 AT
 AU
 AV
 AW
 AX
 AY
 AZ
 BA
 BB
 BC
 BD
 BE
 BF
 BG
 BH
 BI
 BJ
 BK
 BL
 BM
 BN
 BO
 BP
 BQ
 BR
 BS
 BT
 BU
 BV
 BW
 BX
 BY
 BZ
 CA
 CB
 CC
 CD
 CE
 CF
 CG
 CH
 CI
 CJ
 CK
 CL
 CM
 CN
 CO
 CP
 CQ
 CR
 CS
 CT
 CU
 CV
 CW
 CX
 CY
 CZ
 DA
 DB
 DC
 DD
 DE
 DF
 DG
 DH
 DI
 DJ
 DK
 DL
 DM
 DN
 DO
 DP
 DQ
 DR
 DS
 DT
 DU
 DV
 DW
 DX
 DY
 DZ
 EA
 EB
 EC
 ED
 EE
 EF
 EG
 EH
 EI
 EJ
 EK
 EL
 EM
 EN
 EO
 EP
 EQ
 ER
 ES
 ET
 EU
 EV
 EW
 EX
 EY
 EZ
 FA
 FB
 FC
 FD
 FE
 FF
 FG
 FH
 FI
 FJ
 FK
 FL
 FM
 FN
 FO
 FP
 FQ
 FR
 FS
 FT
 FU
 FV
 FW
 FX
 FY
 FZ
 GA
 GB
 GC
 GD
 GE
 GF
 GG
 GH
 GI
 GJ
 GK
 GL
 GM
 GN
 GO
 GP
 GQ
 GR
 GS
 GT
 GU
 GV
 GW
 GX
 GY
 GZ
 HA
 HB
 HC
 HD
 HE
 HF
 HG
 HH
 HI
 HJ
 HK
 HL
 HM
 HN
 HO
 HP
 HQ
 HR
 HS
 HT
 HU
 HV
 HW
 HX
 HY
 HZ
 IA
 IB
 IC
 ID
 IE
 IF
 IG
 IH
 II
 IJ
 IK
 IL
 IM
 IN
 IO
 IP
 IQ
 IR
 IS
 IT
 IU
 IV
 IW
 IX
 IY
 IZ
 JA
 JB
 JC
 JD
 JE
 JF
 JG
 JH
 JI
 JJ
 JK
 JL
 JM
 JN
 JO
 JP
 JQ
 JR
 JS
 JT
 JU
 JV
 JW
 JX
 JY
 JZ
 KA
 KB
 KC
 KD
 KE
 KF
 KG
 KH
 KI
 KJ
 KK
 KL
 KM
 KN
 KO
 KP
 KQ
 KR
 KS
 KT
 KU
 KV
 KW
 KX
 KY
 KZ
 LA
 LB
 LC
 LD
 LE
 LF
 LG
 LH
 LI
 LJ
 LK
 LL
 LM
 LN
 LO
 LP
 LQ
 LR
 LS
 LT
 LU
 LV
 LW
 LX
 LY
 LZ
 MA
 MB
 MC
 MD
 ME
 MF
 MG
 MH
 MI
 MJ
 MK
 ML
 MN
 MO
 MP
 MQ
 MR
 MS
 MT
 MU
 MV
 MW
 MX
 MY
 MZ
 NA
 NB
 NC
 ND
 NE
 NF
 NG
 NH
 NI
 NJ
 NK
 NL
 NM
 NO
 NP
 NQ
 NR
 NS
 NT
 NU
 NV
 NW
 NX
 NY
 NZ
 OA
 OB
 OC
 OD
 OE
 OF
 OG
 OH
 OI
 OJ
 OK
 OL
 OM
 ON
 OO
 OP
 OQ
 OR
 OS
 OT
 OU
 OV
 OW
 OX
 OY
 OZ
 PA
 PB
 PC
 PD
 PE
 PF
 PG
 PH
 PI
 PJ
 PK
 PL
 PM
 PN
 PO
 PP
 PQ
 PR
 PS
 PT
 PU
 PV
 PW
 PX
 PY
 PZ
 QA
 QB
 QC
 QD
 QE
 QF
 QG
 QH
 QI
 QJ
 QK
 QL
 QM
 QN
 QO
 QP
 QQ
 QR
 QS
 QT
 QU
 QV
 QW
 QX
 QY
 QZ
 RA
 RB
 RC
 RD
 RE
 RF
 RG
 RH
 RI
 RJ
 RK
 RL
 RM
 RN
 RO
 RP
 RQ
 RR
 RS
 RT
 RU
 RV
 RW
 RX
 RY
 RZ
 SA
 SB
 SC
 SD
 SE
 SF
 SG
 SH
 SI
 SJ
 SK
 SL
 SM
 SN
 SO
 SP
 SQ
 SR
 SS
 ST
 SU
 SV
 SW
 SX
 SY
 SZ
 TA
 TB
 TC
 TD
 TE
 TF
 TG
 TH
 TI
 TJ
 TK
 TL
 TM
 TN
 TO
 TP
 TQ
 TR
 TS
 TT
 TU
 TV
 TW
 TX
 TY
 TZ
 UA
 UB
 UC
 UD
 UE
 UF
 UG
 UH
 UI
 UJ
 UK
 UL
 UM
 UN
 UO
 UP
 UQ
 UR
 US
 UT
 UU
 UV
 UW
 UX
 UY
 UZ
 VA
 VB
 VC
 VD
 VE
 VF
 VG
 VH
 VI
 VJ
 VK
 VL
 VM
 VN
 VO
 VP
 VQ
 VR
 VS
 VT
 VU
 VV
 VW
 VX
 VY
 VZ
 WA
 WB
 WC
 WD
 WE
 WF
 WG
 WH
 WI
 WJ
 WK
 WL
 WM
 WN
 WO
 WP
 WQ
 WR
 WS
 WT
 WU
 WV
 WW
 WX
 WY
 WZ
 XA
 XB
 XC
 XD
 XE
 XF
 XG
 XH
 XI
 XJ
 XK
 XL
 XM
 XN
 XO
 XP
 XQ
 XR
 XS
 XT
 XU
 XV
 XW
 XX
 XY
 XZ
 YA
 YB
 YC
 YD
 YE
 YF
 YG
 YH
 YI
 YJ
 YK
 YL
 YM
 YN
 YO
 YP
 YQ
 YR
 YS
 YT
 YU
 YV
 YW
 YX
 YZ
 ZA
 ZB
 ZC
 ZD
 ZE
 ZF
 ZG
 ZH
 ZI
 ZJ
 ZK
 ZL
 ZM
 ZN
 ZO
 ZP
 ZQ
 ZR
 ZS
 ZT
 ZU
 ZV
 ZW
 ZX
 ZY
 ZZ