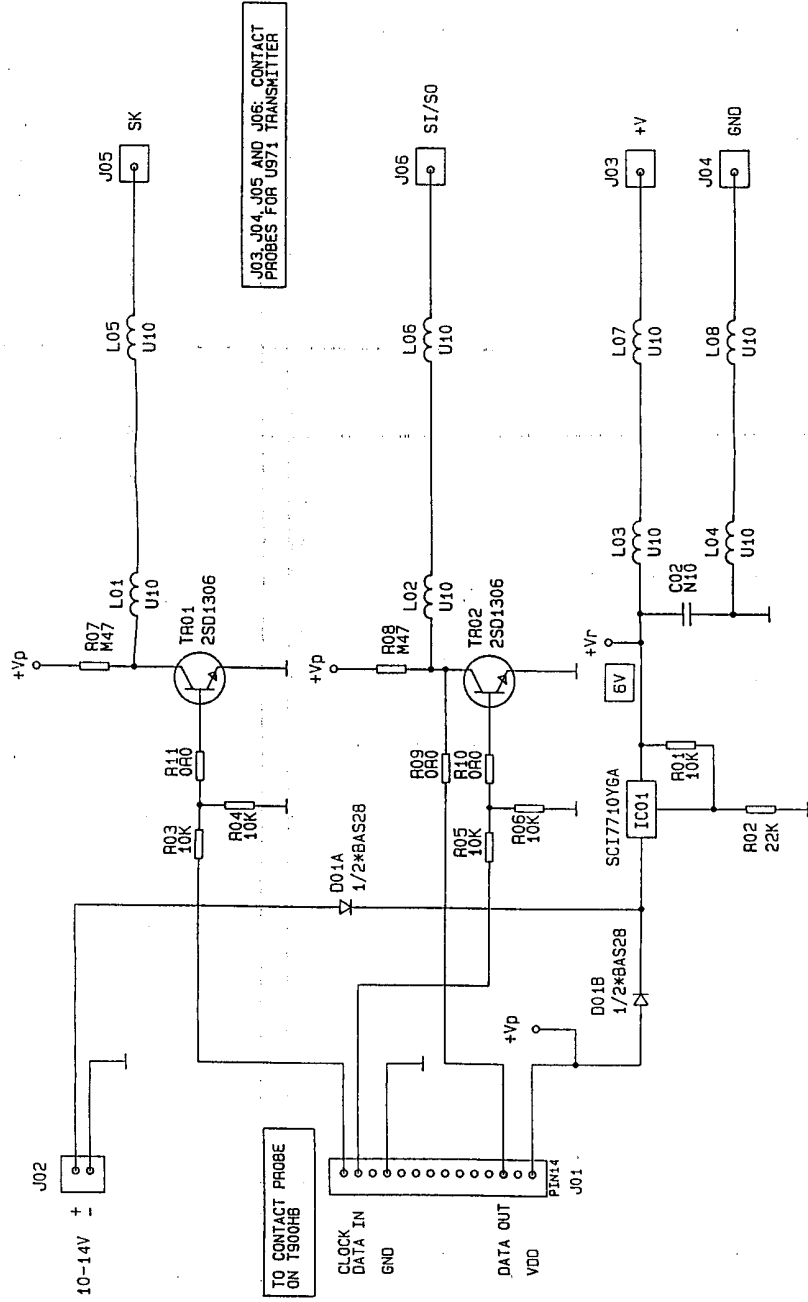


DESIGNED	DATE	APPROVED	DATE
RH	RH	RH	RH
GÖTEBORGS SKEDEN		teleco 1971 MULTILAB TRANSMITTER	
ELECTRICIAL DIAGRAM		COMPONENT LIST PART NO. CIRCUIT BOARD DATE DRAWING NUMBER	
10556A-3		60223A 60224A 40299A 901115 RH 10556A-3	

FCC ID: BZE971

Exhibit C

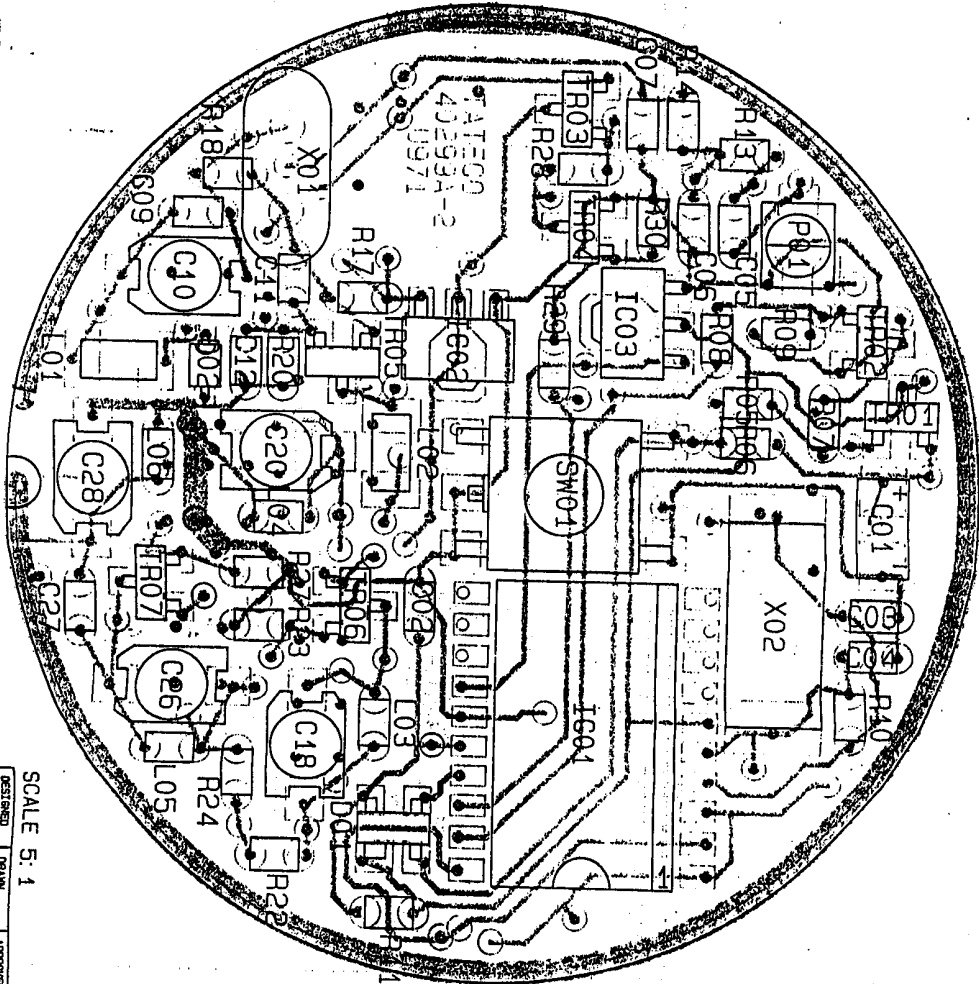


J03, J04, J05 AND J06: CONTACT PROBES FOR U971 TRANSMITTER

TO CONTACT PROBE ON TS00HB

DESIGNED RH	DRAWN RH	APPROVED	miniLARM T971PA PROGRAMMER FOR miniLARM TX ELECTRICAL DIAGRAM
60TEBORG SWEDEN			
REV. FC 101 BXZU0011			

COMPONENT LAYOUT 60247-3 60248-3
PRINTED CIRCUIT BOARD 40316A
DATE 911002 RH
DRAWING NUMBER 10579-3

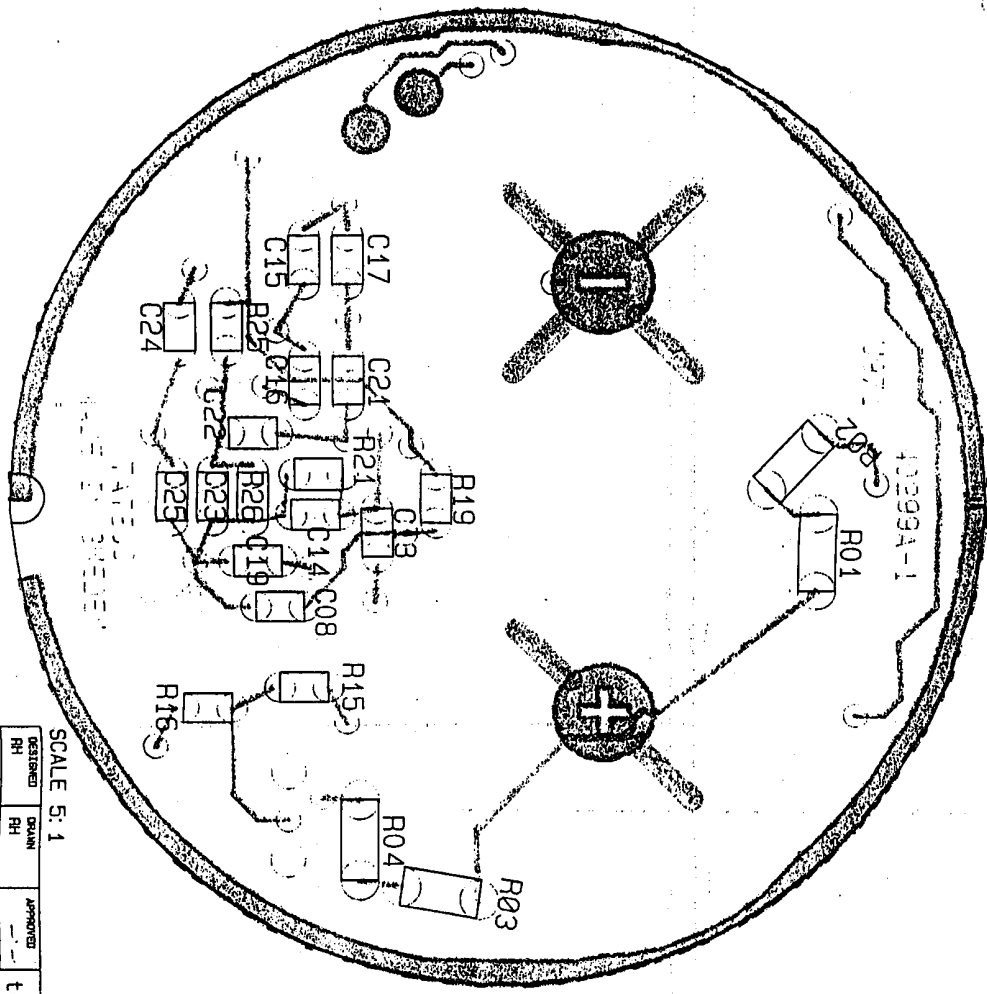


REV. 810223 RH

SCALE 5: 1

REGISTERED	DESIGN	APPROVED	ELECTRICAL DESIGN
RH	RH		10565A-3
Tateco GÖTEBORG SWEDEEN			DATE 901220 RH
FCC ID: BZXU971 Ex: 617 E			PRINTED CIRCUIT BOARD 40293A
COMPONENT LAYOUT TOP SIDE (SIDE 2)			DRAWING NUMBER 60223A-3
teJecOURIER U971 MiniLARM TRANSMITTER			

110



SCALE 5:1

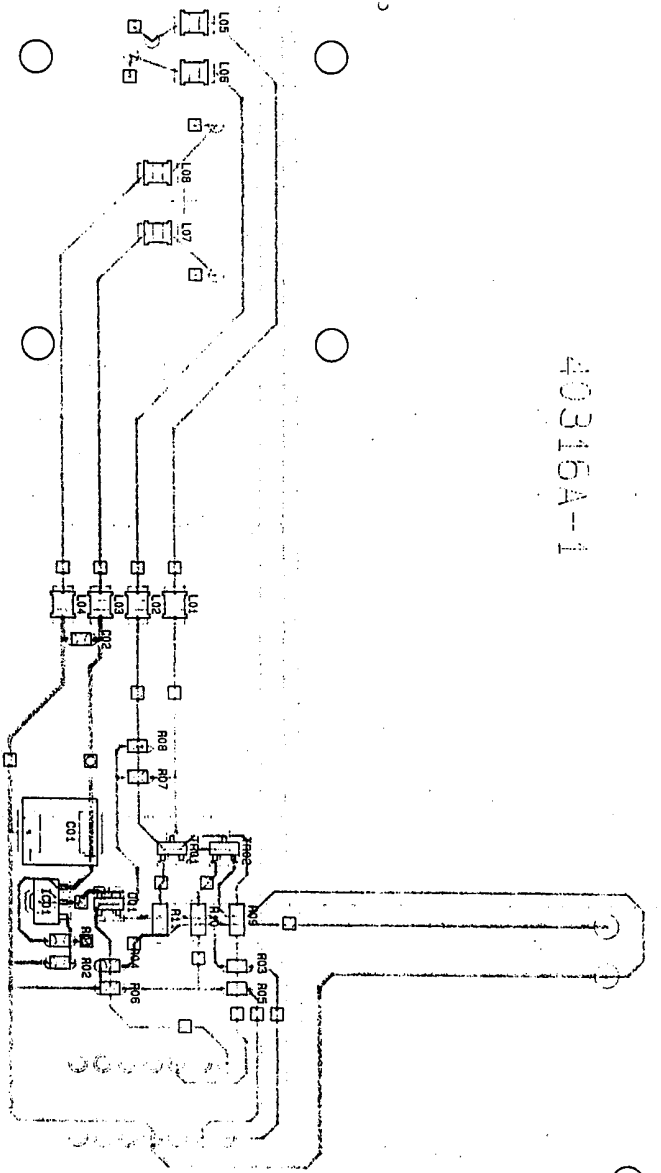
REV. 310523 RH

DESIGNED RH	DRAWN RH	APPROVED	ELECTRICAL DIAGRAM 10565A-3
Tateco GÖTEBORGS SWEDEN			U971 minilarm TRANSMITTER COMPONENT LAYOUT BOTTOM SIDE (SIDE 1)
			PRINTED CIRCUIT BOARD 40239A
			DATE 901220 RH
			DRAWING NUMBER 60224A-3

FCC ID: BZXU441

Exhibit E

40316A-1



SCALE 2:1

DESIGNED RH	DRAWN RH	APPROVED	ELECTRICAL DIAGRAM 10579-3
Tateco 60TERBORG SWEDEN			PRINTED CIRCUIT BOARD 40316A
telecourier T970PA PROGRAMMER FOR MILILARM TRANSMITTER COMPONENT LAYOUT BOTTOM SIDE (SIDE 1)			DATE 910913 RH
REV.			DRAWING NUMBER 60248-3

Fcc ID: Bxzvqr 1