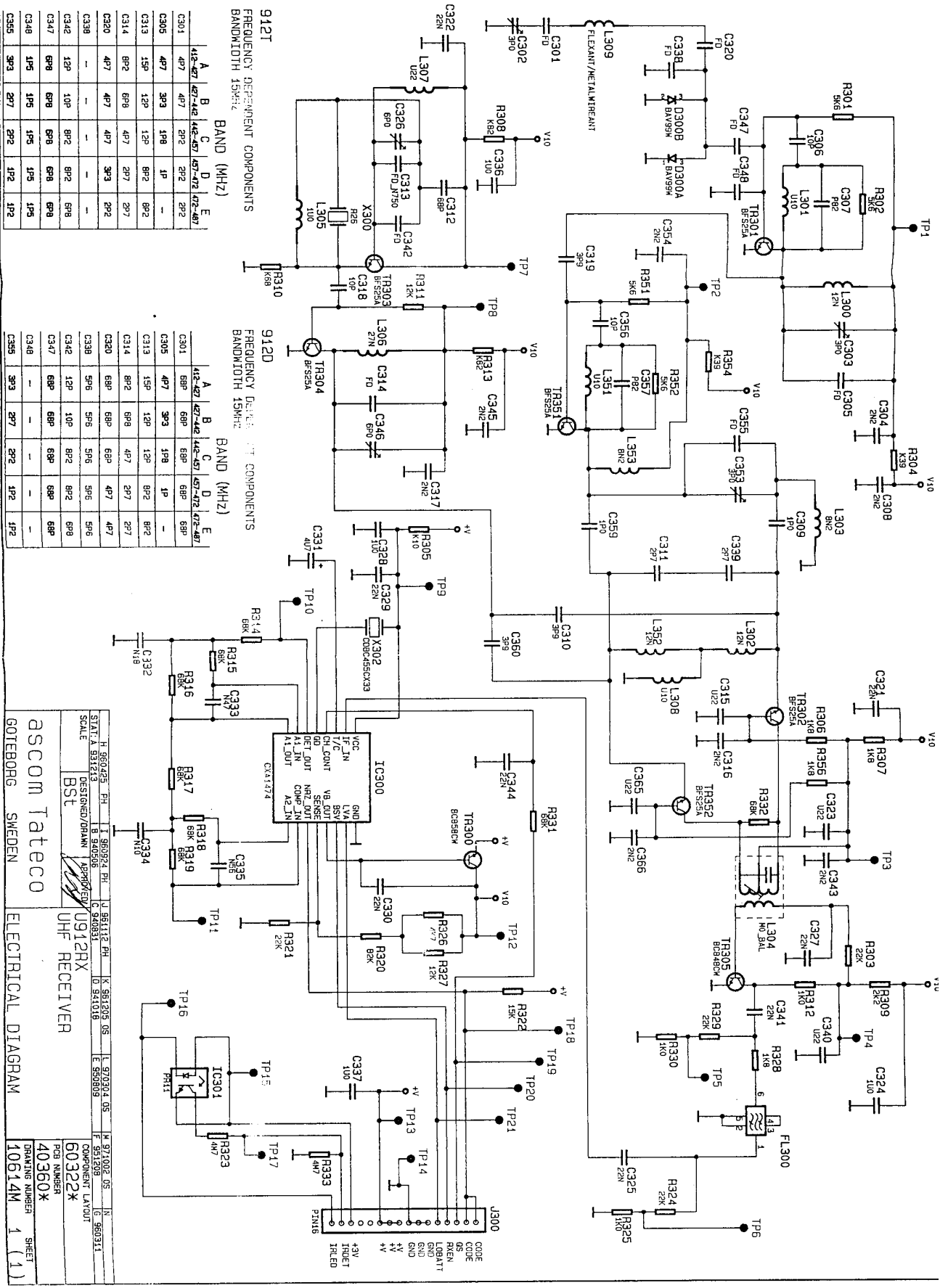


STRAP SP1 AND SP2 FOR DIFFERENT FREQUENCY RANGES ACCORDING TO THE FOLLOWING TABLE. ONLY FOR 19121.

25.000	<<<	25.180	SP1 AND SP2
25.180	<<<	25.810	NO STRAP
25.810	<<<	26.200	SP1 AND SP2
26.200	<<<	26.800	NO STRAP
26.800	<<<	27.200	SP1 AND SP2
27.200	<<<	27.800	NO STRAP
27.800	<<<	28.200	SP1 AND SP2
28.200	<<<	28.790	NO STRAP
28.790	<<<	29.210	SP1 AND SP2
29.210	<<<	29.790	NO STRAP
29.790	<<<	30.210	SP1 AND SP2
30.210	<<<	31.250	NO STRAP
31.250	<<<	31.770	SP1 AND SP2
31.770	<<<	32.220	NO STRAP
32.220	<<<	32.770	SP1 AND SP2
32.770	<<<	33.220	NO STRAP
33.220	<<<	34.250	SP1 AND SP2
34.250	<<<	34.750	NO STRAP
34.750	<<<	35.250	SP1 AND SP2
35.250	<<<	35.750	NO STRAP
35.750	<<<	36.270	SP1 AND SP2
36.270	<<<	36.740	NO STRAP
36.740	<<<	37.200	SP1 AND SP2
37.200	<<<	37.730	NO STRAP
37.730	<<<	38.180	SP1 AND SP2
38.180	<<<	38.270	NO STRAP
38.270	<<<	38.730	SP1 AND SP2
38.730	<<<	39.160	NO STRAP
39.160	<<<	39.290	SP1 AND SP2
39.290	<<<	39.720	NO STRAP
39.720	<<<	40.140	SP1 AND SP2
40.140	<<<	40.300	NO STRAP
40.300	<<<	40.710	SP1 AND SP2
40.710	<<<	41.120	NO STRAP
41.120	<<<	41.300	SP1 AND SP2
41.300	<<<	41.700	NO STRAP
41.700	<<<	42.100	SP1 AND SP2
42.100	<<<	42.310	NO STRAP
42.310	<<<	42.700	SP1 AND SP2
42.700	<<<	43.080	NO STRAP
43.080	<<<	43.320	SP1 AND SP2
43.320	<<<	43.700	NO STRAP
43.700	<<<	44.060	SP1 AND SP2
44.060	<<<	44.320	NO STRAP
44.320	<<<	44.690	SP1 AND SP2
44.690	<<<	45.000	NO STRAP
45.000	<<<	45.320	SP1 AND SP2
45.320	<<<	45.680	NO STRAP
45.680	<<<	46.010	SP1 AND SP2
46.010	<<<	46.340	NO STRAP
46.340	<<<	46.670	SP1 AND SP2
46.670	<<<	46.990	NO STRAP
46.990	<<<	47.340	SP1 AND SP2
47.340	<<<	47.660	NO STRAP
47.660	<<<	47.980	SP1 AND SP2
47.980	<<<	48.330	NO STRAP
48.330	<<<	48.660	SP1 AND SP2
48.660	<<<	48.960	NO STRAP
48.960	<<<	49.320	SP1 AND SP2
49.320	<<<	49.650	NO STRAP
49.650	<<<	50.000	SP1 AND SP2

H: 990304 US	E: 990824 US	I: 911029 US	L: 910318 US	M: 890207 US	N: 990731 US
STATE 59-05-17 IE	STATE 59-05-18 KC	STATE 94-05-03 KC	STATE 94-05-15 KC	STATE 94-05-18 KC	STATE 94-05-18 KC
SCALE	RESTRICTION	APPROVED	912 PUT	60317X	40358X
RH/MCW					
ascocom Tateco			UPC Board	POB NUMBER	DRAWING NUMBER
GOTEBORG SWEDEN			TESTPOINTS AND	40358X	106127
			ELECTRICAL DIAGRAM		1 (1)

Exhibit C FCC ID: B22491AT



9121
FREQUENCY DEPENDENT COMPONENTS
BANDWIDTH 15MHz

BAND (MHz)				
A	B	C	D	E
C301	4P7	4P7	2P2	2P2
C305	4P7	3P3	1P8	1P
C313	15P	12P	12P	8P2
C314	8P2	6P8	4P7	2P7
C320	4P7	4P7	3P3	2P2
C338	-	-	-	-
C342	12P	10P	8P2	6P8
C347	6P8	6P8	6P8	6P8
C348	1P5	1P5	1P5	1P5
C355	3P3	2P7	2P2	1P2

912D
FREQUENCY DEPENDENT COMPONENTS
BANDWIDTH 15MHz

BAND (MHz)				
A	B	C	D	E
C301	6P8	6P8	6P8	6P8
C305	4P7	3P3	1P8	1P
C313	15P	12P	12P	8P2
C314	8P2	6P8	4P7	2P7
C320	6P8	6P8	6P8	4P7
C338	5P6	5P6	5P6	5P6
C342	12P	10P	8P2	6P8
C347	6P8	6P8	6P8	6P8
C348	-	-	-	-
C355	3P3	2P7	2P2	1P2

ascocom Tateco
GOTEBORG SWEDEN

UHF RECEIVER

U912RX

603222*

40360X

ELECTRICAL DIAGRAM

10614M 1 (1)

H	960425	PH	J	960924	PH	K	961112	PH	L	961205	OS	M	961302	OS	N	960311
STAT	A	931213	DESIGNED/DRAWN	1980/08	U912RX	UHF RECEIVER	603222*	40360X	10614M	1	(1)					

Exhibit C FCC ID: B22949D7