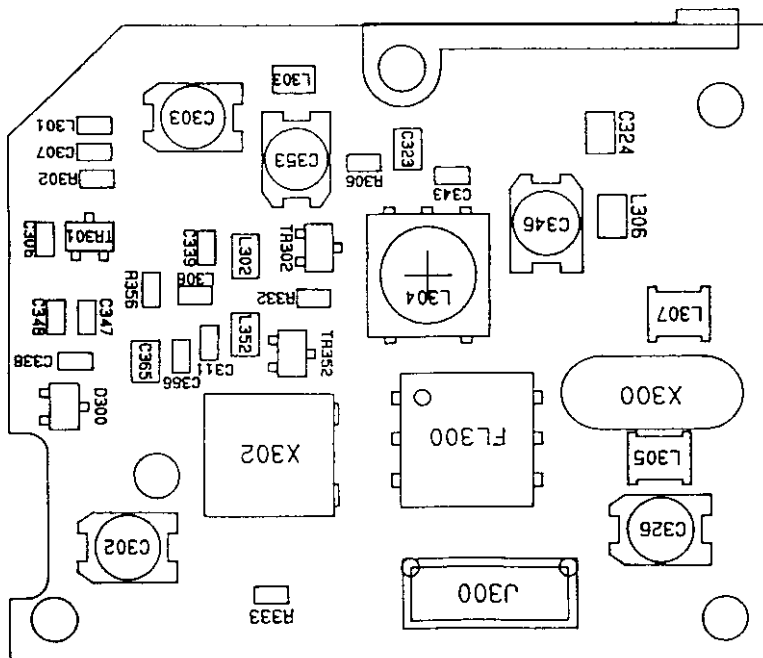
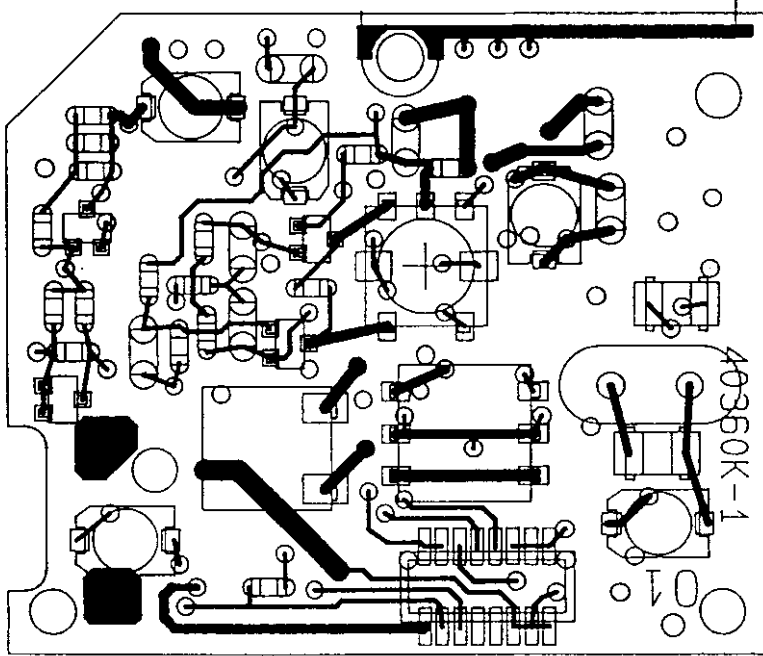
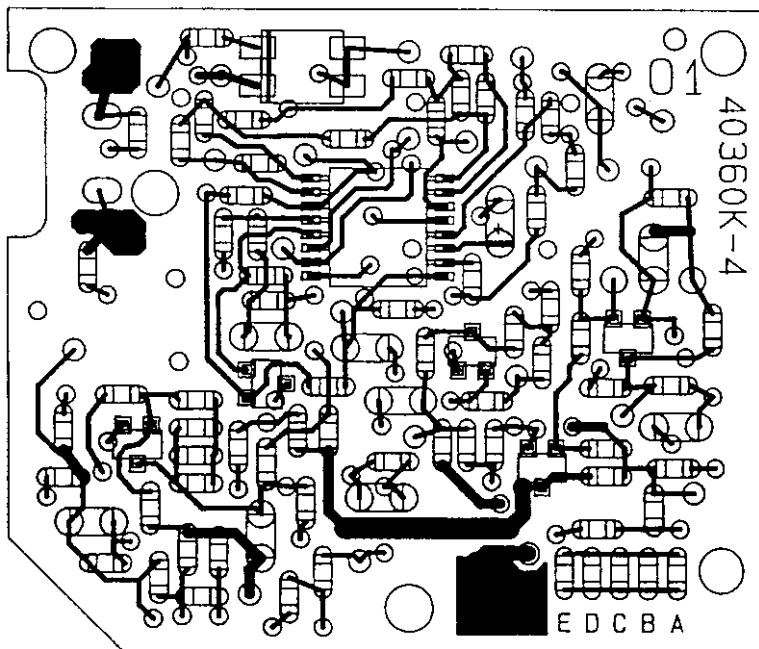
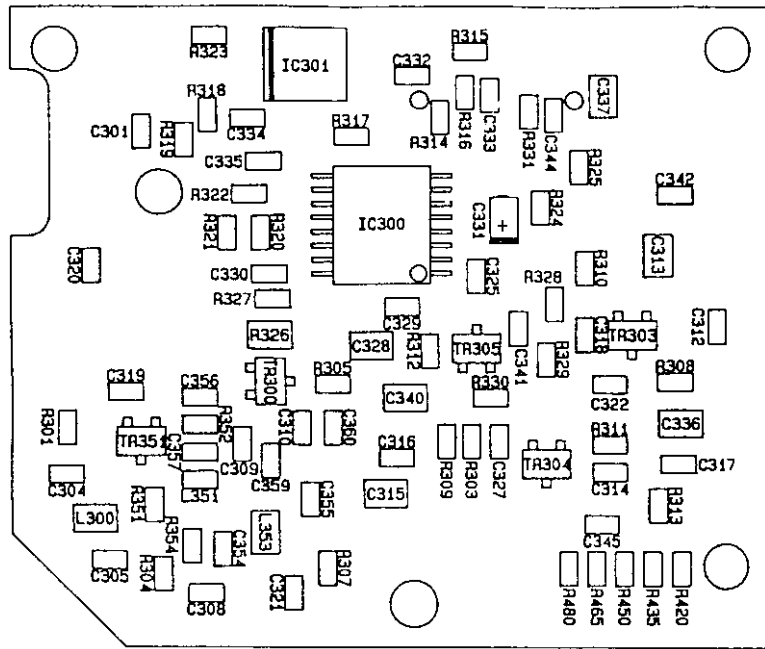


FCC ID: Bx2u9127

DRAWING NUMBER 40360K		TOP SIDE		GOTEBORG SWEDEN	
PCB NUMBER 10614*		COMPONENT LAYOUT		ascocom Tateco	
ELECTRICAL DIAGRAM		UHF RECEIVER		3:1 Bst	
STAT: A 931213		DESIGNED/DRAWN		APPROVED	
H 960225 PH	I 960910 PH	J 961104 PH	K 961220 05	L 971008 05	M 951114 PH
N 960911 PH	O 960911 PH	P 960911 PH	Q 960911 PH	R 960911 PH	S 960911 PH

U9121: C338 Not mounted
U9120: C348 Not mounted





H 960425 PH	I 960910 PH	J 961104 PH	K 961220 OS	L 971006 OS	M	N	
STAT: A 931213	B 940506	C 940831	D 941020	E 950809	F 951114 PH	G 960311 PH	
SCALE 3: 1	DESIGNED/DRAWN BSt	APPROVED 	U912RX UHF RECEIVER			ELECTRICAL DIAGRAM 10614*	
ascom Tateco GOTEBORG SWEDEN			COMPONENT LAYOUT BOTTOM SIDE			PCB NUMBER 40360K	
						DRAWING NUMBER SHEET 60322L 2 (2)	

FCC ID: R3711912T