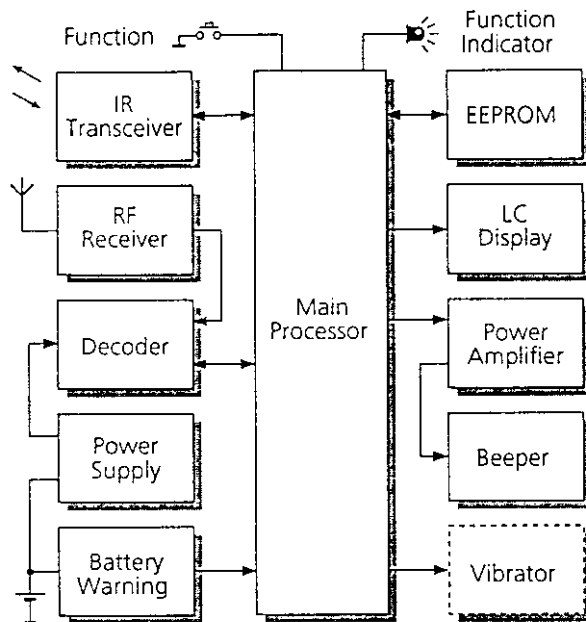


## HF/UHF Pocket Receiver H/U912T - Circuit Description

### General Description



*U912T is a pocket paging receiver used in the teleCOURIER 900 paging system. There are two basic versions: H912T for the HF band 25 to 50 MHz, and U912T for the UHF band 415 to 485 MHz.*

*Pagings are indicated using sound, an LED, and a vibrator (optional). Display messages are presented on a 2 x 12-digit LC display.*

*The user controls the function of the pocket unit with a single pushbutton.*

*The pager consists of three main parts: receiver circuit board, processor circuit board, and display.*

#### Receiver Circuit Board

Consists of an RF receiver, IR transceiver, and battery warning circuit.

#### Processor Circuit Board

Consists of a microprocessor, decoder, power supply, and an EEPROM. The decoder decodes the baseband signal from the RF receiver and also controls battery saving. A watchdog circuit in the decoder checks the function of the microprocessor.

Decoder function is determined by parameters that are stored in a separate EEPROM. The parameters are transferred to the decoder by the processor. The processor stores parameters in the decoder and reads decoded data from it via a serial bus. The

power supply consists of a single LR06 (AAA) battery and a voltage converter. The main processor also controls the beeper, LED and vibrator.

#### LC Display

The LC display consists of a microprocessor and an LCD window. The processor is mask-programmed and has a built-in LCD driver. The LCD unit communicates with the main processor via a serial bus.

#### Detailed Description

*Refer to drawings 10604, 10614, and 10612.*

#### HF Receiver

The HF receiver is a single IF, superheterodyne receiver with an intermediate frequency of 455 kHz.

The receiver is turned on by the signal RXEN.

The antenna is a ferrite loop antenna, tuned by C200. The RF signal from the antenna is amplified in the amplifier TR201/TR200. The amplifier is tuned by L201. Test point TPTR200 is used to measure the dc current through the transistors.

The local oscillator and mixer are in IC200. The frequency is set with L202. Test point TPIC200 is used to measure the dc current in IC200.

The IF signal is filtered in FL200 and fed to the IF circuit. Test point TPIF is used to measure the conversion gain of the frontend.

IC200 also contains an op-amplifier, a detector, comparator, quick-start circuit, voltage regulator, and battery warning test circuit. IF signal is demodulated by ceramic discriminator X201. The baseband output signal from the detector is filtered between TPAF and TPLP, and fed to the comparator. The demodulated data is fed to the decoder via pin CODE on J200.

To compensate for duty cycle variations when the radio is turned on the quick-start circuit supplies a fast charge to capacitor C210. The quick-start signal comes from the decoder via pin QS on J200.

The voltage regulator supplies 1.0 V to stabilise the operating point on the transistors. The battery warning signal (LOBATT) goes high when battery voltage drops below about 1.15 V. Test point TPV10 is used to measure the regulated supply.

The Function switch is connected to pin 10 of the processor.

LED100 is connected via R117 to pin 2.

Vibrator V101 (optional) is driven by TR101 when pin 4 of IC100 is pulled high. At power-up the processor uses pin 1 to check if a vibrator is mounted.

A test load is connected by TR102 to check battery condition. This is done by the processor by applying a high level to pin 5. The low battery detector on the receiver unit is connected to pin 52 of IC100. When the RF receiver is on, a high level on this pin indicates low battery voltage.

A communication sequence is started when the pager is placed in a storage rack. The pager and the storage rack communicate via IR. The IR transceiver is located on the receiver unit. Data to be transmitted via IR appears on pin 54 of IC100. Received data is fed via TR103 to pin 38. The logic level on pin 38 is normally high when the receiver is not in a storage rack (no IR detected). When the receiver is in the storage rack the level should be low (IR detected).

Decoder IC101 is used to control battery saving and decode received code. It also includes a timer and watchdog circuit. Various decoder functions such as battery saving period and decision rules are determined by parameters. These parameters are stored in the decoder by the processor.

The watchdog circuit is used to check processor function. The decoder starts the receiver by pulling pin 13 high. At the same time a pulse appears on pin 12. This pulse provides a faster start of the receiver. Received code is fed from the receiver to pin 16 of IC101.

When valid data is received, the decoder pulls IC101 pin 3 high. This is fed to IC100 pin 37 and starts the processor. Decoded data is then read by the processor using pins 60, 62, and 64. Pin 64 of IC100 is used by the processor to clock data to/from the

decoder. Data appears on pin 62. Pin 60 is used to direct data to or from the decoder.

An internal timer in IC101 applies a pulse to pin 7 once every minute. The processor uses this pulse to increment its internal real-time clock and for other similar functions. The timer is controlled by crystal X100, connected to pin 1 and 2.

If the processor fails to respond when a valid code has been detected by IC101, the watchdog circuit is activated. The decoder then applies a low pulse to pin 10. This forces pin 35 on IC100 low to restart the processor. The watchdog circuit is also activated if the processor fails to respond to the timer pulse from the decoder.

Internal timing of processor IC100 is provided by resonator X101 connected to pins 41 and 42. Oscillation only appears when the processor is activated for example by the decoder or by the Function switch.

### Display Unit

The display unit consists of an LCD and a driver processor. The main processor supplies the display unit and communicates with it serially. All functions can be controlled separately such as text, symbols, orientation, contrast, and character table.

Text is divided into pages. A page consists of two rows containing up to 12 characters each. A message can have a maximum of 5 pages and these can be automatically scrolled.

The character table is selected in the EEPROM.

### Power Supply

Power is supplied by a single LR06 (AAA) cell. Some circuits are powered directly from the battery and others via a voltage converter. The voltage converter consists of IC103, L102, and D100A/B. The voltage converter output is maintained at about 3.0 V.

### UHF Receiver

The UHF receiver is a single IF, superheterodyne receiver. The RF path is partly balanced and the local oscillator operates on the RF frequency divided by two. The intermediate frequency is 455 kHz.

The receiver is turned on by the signal RXEN.

The antenna is a flexible circuit loop antenna, tuned by C302. Except for the tuning components mentioned below the frequency bands are determined by several components listed on the schematic diagram. RF signal from the antenna is amplified in cascaded amplifiers TR301/TR351. The amplifiers are tuned by C303 and C353, respectively. Test points TP1 and TP2 are used to measure the dc current through each transistor.

The local oscillator is a standard Butler with a third order overtone crystal. The frequency is set with C326. Test point TP7 is used to measure the dc current through transistor TR303.

The local oscillator signal is fed to frequency tripler TR304 which is tuned by C346. Output from this stage is the RF frequency divided by 2. Test point TP8 is used to measure the dc current through the transistor.

Mixer TR302/352 is a balanced overtone type. LO signal is fed common mode and the RF is fed differential mode. At the output of TR351 the RF signal is converted from single-ended to differential by L303/L353. To eliminate noise in the mixer, all frequencies except the RF channel are differentially short circuited on the mixer input by a parallel resonant circuit consisting of L302, L352, C311, and C339. The IF is extracted differentially on the collectors of TR302/TR352. Test point TP3 is used to measure the dc current through the transistors.

The IF signal is buffered in TR305, filtered in FL300, and fed to the IF circuit. Test point TP4 is used to measure the dc current through the transistor, and test point TP6 is used to measure the conversion gain of the frontend.

The IF circuit, IC300, consists of two op-amplifiers, a detector, comparator, quick-start circuit, voltage regulator, and battery warning test circuit. IF signal is demodulated by ceramic discriminator X302. The baseband output signal from the detector is filtered between TP10 and TP11, and fed to the comparator.

The demodulated data is fed to the decoder via pin CODE on J300.

To compensate for duty cycle variations when the radio is turned on the quick-start circuit supplies a fast charge to capacitor C331. The quick-start signal comes from the decoder via pin QS on J300. Test point TP9 is used to measure the dc current through IC300.

The voltage regulator supplies 1.0 V and is temperature compensated to stabilise the operating point on the transistors. The battery warning signal (LOBATT) goes high when battery voltage drops below about 1.15 V. Test point TP12 is used to measure the regulated supply.

### IR Transceiver

The IR transceiver is used to communicate with the central unit when the pocket unit is placed in the storage rack. The IR transceiver has the designation IC201 in HF versions of the pocket receiver and IC301 in UHF versions.

### Processor Circuit Board

IC100 is a mask programmed microprocessor with onchip RAM and ROM. It controls the function of the different parts of the receiver.

Parameters determining the function of the receiver are stored in EEPROM IC102. By changing these parameters it is possible to adapt the pager for a specific installation. Power is supplied via TR100. The processor opens TR100 by pulling pin 53 low. It uses pins 8, 47, 48, and 51 to read and write parameters in the EEPROM.

The display unit is connected via J100. The main processor communicates with the display unit via a serial bus. Power to the display unit is supplied from the main processor via J100 pin 7.

Beeper LS500 is connected to a balanced bridge power amplifier consisting of TR500, TR501, TR502 and TR504. TR505 and TR506 invert the phase of the signal for the right half of the bridge. The tone signal appears at pin 3 of IC100. The volume is determined by pins 49 and 50 of IC100. The logic levels of these outputs are converted to a voltage level on the emitter of TR507. This voltage determines the maximum peak-to-peak voltage applied to LS500 and thus the volume.

Exhibit C  
 FCC ID: BxZ491aT

STRUKTURUTSKRIFT

| Prod. nummer | Produktnamn | Löp. nr | Opn nr | Matr. nr | Artikelbenämning              | Senaste revisionsdatum | #K | Ing. kvant | Enh | Textrad l       |
|--------------|-------------|---------|--------|----------|-------------------------------|------------------------|----|------------|-----|-----------------|
| U912T        |             | 10      | 100    | SENREV   |                               |                        |    |            |     | 1998-04-06 / SH |
|              |             | 20      | 200    | 090089   | DISPLAYMODUL 912B             |                        |    | 1,000      | ST  |                 |
|              |             | 30      |        | 150042   | TRANSUCER RCV-894T            |                        |    | 1,000      | ST  |                 |
|              |             | 35      |        | 250322   | EMBALLAGE 912 & 5012 J12532   |                        |    | 1,000      | ST  |                 |
|              |             | 50      |        | 544315   | KÅPA KOMPLETT SVART 912T      |                        |    | 1,000      | ST2 |                 |
|              |             | 60      |        | 544316   | KÅPA KOMPLETT GRÅ 912T        |                        |    | 1,000      | ST2 |                 |
|              |             | 70      |        | 544323   | PROCESSORMODUL VIBR. 912PUTV  |                        |    | 1,000      | ST2 |                 |
|              |             | 80      |        | 544330   | MOTTAGARKORT BAND A U912RXT   |                        |    | 1,000      | ST2 |                 |
|              |             | 90      |        | 544331   | MOTTAGARKORT BAND B U912RXT   |                        |    | 1,000      | ST2 |                 |
|              |             | 100     |        | 544332   | MOTTAGARKORT BAND C U912RXT   |                        |    | 1,000      | ST2 |                 |
|              |             | 110     |        | 544333   | MOTTAGARKORT BAND D U912RXT   |                        |    | 1,000      | ST2 |                 |
|              |             | 120     |        | 544334   | MOTTAGARKORT BAND E U912RXT   |                        |    | 1,000      | ST2 |                 |
|              |             | 140     |        | 544569   | KÅPA KOMPL L.GRÅ TELET. 5012T |                        |    | 1,000      | ST2 |                 |
|              |             | 150     |        | 544570   | KÅPA KOMPL M.GRÅ ERICS. 5012T |                        |    | 1,000      | ST2 |                 |
|              |             | 160     |        | 544577   | PROCESSORMODUL STD 912PUT     |                        |    | 1,000      | ST2 |                 |
|              |             | 170     |        | 544578   | PROCESSORMODUL EX 912PUT      |                        |    | 1,000      | ST2 |                 |
|              |             | 180     |        | 544595   | KÅPA KOMPL L.GRÅ ACKER. 5012T |                        |    | 1,000      | ST2 |                 |
|              |             | 190     |        | 544596   | KÅPA KOMPL M.GRÅ ALCAT. 5012T |                        |    | 1,000      | ST2 |                 |

## STRUKTURUTSKRIFT

utskriften: 98-06-24 kl: 15:04:39

Sida: 1

| Prod. nummer | Produktnamn       | Prod. nr | Opn nr | Matr. nr | Artikelbenämning | Senaste revisionsdatum         | Ing. kvant | Enh | Textrad 1       |
|--------------|-------------------|----------|--------|----------|------------------|--------------------------------|------------|-----|-----------------|
| 544316       | KÅPA KOMPLETT GRÅ | 912T     | 10     | 100      | SENREV           |                                |            | —   | 1997-12-01 / SH |
|              |                   |          | 20     | 200      | 230787           | BATT.BLECK (+) 912D&T M60035F  | 1,000      | ST  |                 |
|              |                   |          | 30     | 250218   |                  | SKYDDESETIK. GRÅ 912 250218P1  | 1,000      | ST  |                 |
|              |                   |          | 40     | 280606   |                  | PACKNING TOPP 912 60033B       | 1,000      | ST  |                 |
|              |                   |          | 50     | 280607   |                  | KÅPA GRÅ 912T "OTRYCKT" V0014B | 1,000      | ST  |                 |
|              |                   |          | 60     | 280608   |                  | LJUSLEDARE 912 60045A          | 1,000      | ST  |                 |
|              |                   |          | 70     | 280630   |                  | DISPL.FÖNST. SV. 912 280630C2  | 1,000      | ST  |                 |
|              |                   |          | 80     | 300283   |                  | SKRUV P-TYPE 1.7*3.0*0.9*4.0   | 4,000      | ST  |                 |
|              |                   |          | 90     | 300340   |                  | SKRUV TORX M3x5                | 1,000      | ST  |                 |
|              |                   |          | 100    | 544318   |                  | BATTERILOCK GRÅ 912            | 1,000      | ST2 |                 |
|              |                   |          | 110    | 544320   |                  | CLIPS LÅNG GRÅ 912T/922        | 1,000      | ST2 |                 |

\* \* Slut på DF 544316 \* \*

STRUKTURUTSKRIFT

| Prod. nummer | Produktnamn             | Löp. nr | Matr. nr | Opn nr | Artikelbenämning       | Senaste revisionsdatum | Ing. kvant | Enh | Textrad 1       |
|--------------|-------------------------|---------|----------|--------|------------------------|------------------------|------------|-----|-----------------|
| 544569       | KÅPA KOMP L. GRÅ TELET. | 5012T   | 10       | 100    | SENREV                 |                        |            |     | 1997-12-17 / SH |
|              |                         | 20      | 230787   | 200    | BATT. BLECK (+) 912D&T | M60035F                | 1,000      | ST  |                 |
|              |                         | 30      | 250302   | 200    | SKYDDESETIK. LJ. GRÅ   | 5012T                  | 1,000      | ST  |                 |
|              |                         | 40      | 280851   | 40     | KÅPA LJ. GRÅ           | 5012T                  | 1,000      | ST  |                 |
|              |                         | 50      | 280857   | 50     | LJUSLEDARE             | 5012T                  | 1,000      | ST  |                 |
|              |                         | 60      | 280858   | 60     | PACKNING TOPP          | 5012T                  | 1,000      | ST  |                 |
|              |                         | 70      | 280955   | 70     | DISP. FÖNST. 5012T     | "teletrac."            | 1,000      | ST2 |                 |
|              |                         | 80      | 300418   | 80     | SKRUV TORX MRT         | M3x8                   | 1,000      | ST  |                 |
|              |                         | 90      | 544571   | 90     | CLIPS LJUSGRÅ          | 5012                   | 1,000      | ST2 |                 |
|              |                         | 100     | 544573   | 100    | BATTERILOCK LJUSGRÅ    | 5012T                  | 1,000      | ST2 |                 |

STRUKTURUTSKRIFT

| Prod. nummer | Produktnamn                     | Löp. nr | Opn nr | Matr. nr | Senaste revisionsdatum | Artikebenämning                | Ing. kvant | Enh | Textrad 1       |
|--------------|---------------------------------|---------|--------|----------|------------------------|--------------------------------|------------|-----|-----------------|
| 544570       | KÅPA KOMPL. M. GRÅ ERICS. 5012T | 10      | 100    | SENREV   |                        |                                |            |     | 1997-12-17 / SH |
|              |                                 | 20      | 200    | 230787   |                        | BATT. BLECK (+) 912D&T M60035F | 1,000      | ST  |                 |
|              |                                 | 30      |        | 250226   |                        | SKYDDETIK. SVART 912 250218P1  | 1,000      | ST  |                 |
|              |                                 | 40      |        | 280852   |                        | KÅPA SV. GRÅ 5012T M60513B     | 1,000      | ST  |                 |
|              |                                 | 50      |        | 280857   |                        | LJUSLEDARE 5012T M60516A       | 1,000      | ST  |                 |
|              |                                 | 60      |        | 280858   |                        | PACKNING TOPP 5012T M60517C    | 1,000      | ST  |                 |
|              |                                 | 70      |        | 280954   |                        | DISPL. FÖNST. 5012T "ERICSSON" | 1,000      | ST2 |                 |
|              |                                 | 80      |        | 300418   |                        | SKRUV TORX MPT M3x8            | 1,000      | ST  |                 |
|              |                                 | 90      |        | 544572   |                        | CLIPS MÖRKGRÅ 5012             | 1,000      | ST2 |                 |
|              |                                 | 100     |        | 544574   |                        | BATTERILOCK MÖRKGRÅ 5012T      | 1,000      | ST2 |                 |

STRUKTURUTSKRIFT

utskriften: 98-06-24 kl: 15:10:09

Sida: 16

| Prod. nummer | Produktnamn        | Löp. nr | Opn nr | Matr. nr | Artikelbenämning   | Senaste revisionsdatum | Ing. kvant | Enh | Textrad 1       |
|--------------|--------------------|---------|--------|----------|--------------------|------------------------|------------|-----|-----------------|
| 544577       | PROCESSORMODUL STD | 10      | 100    | SENREV   |                    |                        |            |     | 1997-10-02 / BE |
|              |                    | 20      | 900    | 230689   | BEEPERBLECK 912    | 230689P1               | 2,000      | ST  |                 |
|              |                    | 30      |        | 544231   | SMD-SATS STD + VIB | 912PUT                 | 1,000      | ST2 |                 |

\*\* Slut på DF 544577 \*\*



Tillhör arkiv nr:

TU:

| Parts List No. | Product name             | Ref.No. | Description                              | Art.No. |
|----------------|--------------------------|---------|------------------------------------------|---------|
| 544231         | SMD-KIT STD + VIB 912PUT | 980605  | Latest revision date for this parts list | SENREV  |
|                |                          | PC      | PC-BOARD VERSION 40358 J                 | 010559  |
|                |                          | C100    | CAP.CHIP X7R 10N 0603 50V 10%            | 040702  |
|                |                          | C102    | CAP.TANTAL CHIP M10 D 10V 20%            | 040742  |
|                |                          | C103    | CAP.TANTAL CHIP M10 D 10V 20%            | 040742  |
|                |                          | C104    | CAP.CHIP X7R 22N 0603 25V 10%            | 040719  |
|                |                          | C105    | CAP.CHIP X7R 22N 0603 25V 10%            | 040719  |
|                |                          | C110    | CAP.CHIP NP0 47P 0603 50V 2%             | 040712  |
|                |                          | C111    | CAP.CHIP NP0 47P 0603 50V 2%             | 040712  |
|                |                          | C500    | CAP.CHIP X7R 1U0 0805 10V 10%            | 040765  |
|                |                          | C501    | CAP.CHIP X7R 1U0 0805 10V 10%            | 040765  |
|                |                          | C502    | CAP.CHIP X7R U10 0805 25V 10%            | 040692  |
|                |                          | D100    | DIODE SCHOTTKY SOT23 BAT54C              | 070201  |
|                |                          | D101    | DIODE CHIP SOT323 DAN202U                | 070227  |
|                |                          | D500    | DIODE CHIP SOT323 DAN202U                | 070227  |
|                |                          | D501    | DIODE CHIP SOT323 DAN202U                | 070227  |
|                |                          | IC100   | MICROPROC. "546" V5.02 S912T             | 080722  |
|                |                          | IC101   | DECODER IC SO-16 EL00 19                 | 080563  |
|                |                          | IC102   | EE-PROM 2K SO-8 93LC56BX/SN              | 080564  |
|                |                          | IC103   | VOLT.CONV. 3V SOT89 S-8435BF             | 080569  |
|                |                          | IC104   | VOLTAGE DETECTOR SOT89 7700YVA           | 080561  |
|                |                          | J100    | FEMALE CONTACT 06P 87340-0622            | 180648  |
|                |                          | J102    | FEMALE CONTACT SMD 16P 1-177560-6        | 180647  |
|                |                          | L100    | COIL CHIP 3U3H 1008CS 10%                | 060168  |
|                |                          | L101    | COIL CHIP 1U5H SIMID Q2 10%              | 060151  |
|                |                          | L102    | CHOKE 220UH D75C                         | 060206  |
|                |                          | L103    | COIL CHIP U47H 1008CS 10%                | 060133  |
|                |                          | LED100  | LIGHT EM.DIODE SMD RED CL-200HR-C-TS     | 090085  |
|                |                          | R100    | RESISTOR CHIP 1K0 0603 1%                | 020656  |
|                |                          | R101    | RESISTOR CHIP M10 0603 1%                | 020663  |
|                |                          | R102    | RESISTOR CHIP 10K 0603 1%                | 020666  |
|                |                          | R103    | RESISTOR CHIP 10K 0603 1%                | 020666  |
|                |                          | R104    | RESISTOR CHIP 10K 0603 1%                | 020666  |
|                |                          | R105    | RESISTOR CHIP 10K 0603 1%                | 020666  |
|                |                          | R106    | RESISTOR CHIP 10K 0603 1%                | 020666  |
|                |                          | R107    | RESISTOR CHIP M10 0603 1%                | 020663  |
|                |                          | R108    | RESISTOR CHIP 10K 0603 1%                | 020666  |
|                |                          | R109    | RESISTOR CHIP M10 0603 1%                | 020663  |
|                |                          | R110    | RESISTOR CHIP 4M7 0603 5%                | 020662  |
|                |                          | R111    | RESISTOR CHIP 1K0 0603 1%                | 020656  |
|                |                          | R112    | RESISTOR CHIP 10K 0603 1%                | 020666  |
|                |                          | R113    | RESISTOR CHIP 10K 0603 1%                | 020666  |
|                |                          | R114    | RESISTOR CHIP 47R 0805 5%                | 020605  |
|                |                          | R115    | RESISTOR CHIP 10K 0603 1%                | 020666  |
|                |                          | R116    | RESISTOR CHIP 1K0 0603 1%                | 020656  |
|                |                          | R117    | RESISTOR CHIP K15 0603 1%                | 020711  |
|                |                          | R118    | RESISTOR CHIP K33 0603 1%                | 020664  |
|                |                          | R119    | RESISTOR CHIP 10M 0805 0W1 5%            | 020625  |
|                |                          | R120    | RESISTOR CHIP 10K 0603 1%                | 020666  |
|                |                          | R121    | RESISTOR CHIP 1M0 0603 1%                | 020667  |
|                |                          | R123    | RESISTOR CHIP 10K 0603 1%                | 020666  |
|                |                          | R126    | RESISTOR CHIP 4M7 0603 5%                | 020662  |
|                |                          | R127    | RESISTOR CHIP 10K 0603 1%                | 020666  |
|                |                          | R128    | RESISTOR CHIP 1K0 0603 1%                | 020656  |
|                |                          | R129    | RESISTOR CHIP 10K 0603 1%                | 020666  |
|                |                          | R130    | RESISTOR CHIP M10 0603 1%                | 020663  |

Tillhör arkiv nr:

TU:

| Parts List No. | Product name             | Ref.No. | Description                            | Art.No. |
|----------------|--------------------------|---------|----------------------------------------|---------|
| 544231         | SMD-KIT STD + VIB 912PUT | R131    | RESISTOR CHIP 68R 0805 5%              | 020586  |
|                |                          | R132    | RESISTOR CHIP K33 0603 1%              | 020664  |
|                |                          | R133    | RESISTOR CHIP K10 0603 1%              | 020653  |
|                |                          | R135    | RESISTOR CHIP 1K0 0603 1%              | 020656  |
|                |                          | R500    | RESISTOR CHIP K56 0603 1%              | 020655  |
|                |                          | R501    | RESISTOR CHIP 2K2 0603 1%              | 020657  |
|                |                          | R502    | RESISTOR CHIP M10 0603 1%              | 020663  |
|                |                          | R503    | RESISTOR CHIP M10 0603 1%              | 020663  |
|                |                          | R504    | RESISTOR CHIP 10R 0805 0W1 5%          | 020554  |
|                |                          | R505    | RESISTOR CHIP M10 0603 1%              | 020663  |
|                |                          | R506    | RESISTOR CHIP 1K0 0603 1%              | 020656  |
|                |                          | R507    | RESISTOR CHIP 2K2 0603 1%              | 020657  |
|                |                          | R508    | RESISTOR CHIP K56 0603 1%              | 020655  |
|                |                          | R509    | RESISTOR CHIP 3K9 0603 1%              | 020672  |
|                |                          | R510    | RESISTOR CHIP 7K5 0603 1%              | 020683  |
|                |                          | R511    | RESISTOR CHIP 5K6 0603 1%              | 020673  |
|                |                          | S100    | PUSH BUTTON SWITCH SMD SKQLLC          | 170289  |
|                |                          | TR100   | TRANSISTOR CHIP SOT323 BC858CW         | 070232  |
|                |                          | TR101   | TRANSISTOR CHIP SOT323 BC848CW 2SC4081 | 070225  |
|                |                          | TR102   | TRANSISTOR CHIP SOT323 BC848CW 2SC4081 | 070225  |
|                |                          | TR103   | TRANSISTOR CHIP SOT323 BC848CW 2SC4081 | 070225  |
|                |                          | TR104   | TRANSISTOR CHIP SOT323 BC848CW 2SC4081 | 070225  |
|                |                          | TR500   | TRANSISTOR CHIP SOT323 BC807W-40       | 070230  |
|                |                          | TR501   | TRANSISTOR CHIP SOT323 BC807W-40       | 070230  |
|                |                          | TR502   | TRANSISTOR CHIP SOT323 BC817W-40       | 070231  |
|                |                          | TR504   | TRANSISTOR CHIP SOT323 BC817W-40       | 070231  |
|                |                          | TR505   | TRANSISTOR CHIP SOT323 BC858CW         | 070232  |
|                |                          | TR506   | TRANSISTOR CHIP SOT323 BC848CW 2SC4081 | 070225  |
|                |                          | TR507   | TRANSISTOR CHIP SOT323 BC817W-40       | 070231  |
|                |                          | X100    | CRYSTAL SMD 76.800 MC-306              | 101751  |
|                |                          | X101    | CER. RESONATOR CHIP PBRC-4.00-B        | 120045  |

\* \* \* END of list \* \* \*

STRUKTURUTSKRIFT

| Prod. nummer | Produktnamn       | Löp. nr | Opn nr | Matr. nr | Artikelbenämning       | Senaste revisionsdatum | Ing. kvant | Enh | Textrad 1 |
|--------------|-------------------|---------|--------|----------|------------------------|------------------------|------------|-----|-----------|
| 544578       | PROCESSORMODUL EX | 10      | 100    | SENREV   | 912PUT                 | —                      | 1997-10-02 | BE  |           |
|              |                   | 20      | 900    | 230689   | BEPEBLECK 912 230689P1 |                        | 2,000      | ST  |           |
|              |                   | 30      |        | 544367   | SMD-SATS EX 912PUT     |                        | 1,000      | ST2 |           |

\* \* Slut på DF 544578 \* \*

\* \* \* SLUT \* \* \*

Tillhör arkiv nr:

TU:

| Parts List No. | Product name | Ref.No. | Description | Art.No.                                     |
|----------------|--------------|---------|-------------|---------------------------------------------|
| 544367         | SMD-KIT EX   | 912PUT  | 980507      | Latest revision date for this parts list    |
|                |              |         | PC          | PC-BOARD VERSION 40401 B                    |
|                |              |         | C100        | CAP.CHIP X7R 10N 0603 50V 10% 040702        |
|                |              |         | C101        | CAP.TANTAL CHIP 22U C 10V 20% 040723        |
|                |              |         | C102        | CAP.TANTAL CHIP 68U D 10V 10% 040769        |
|                |              |         | C103        | CAP.TANTAL CHIP 68U D 10V 10% 040769        |
|                |              |         | C104        | CAP.CHIP X7R 22N 0805 50V 10% 040684        |
|                |              |         | C105        | CAP.CHIP X7R 22N 0805 50V 10% 040684        |
|                |              |         | C110        | CAP.CHIP NPO 47P 0603 50V 2% 040712         |
|                |              |         | C111        | CAP.CHIP NPO 47P 0603 50V 2% 040712         |
|                |              |         | C500        | CAP.CHIP X7R 1U0 0805 10V 10% 040765        |
|                |              |         | C501        | CAP.CHIP X7R 1U0 0805 10V 10% 040765        |
|                |              |         | C502        | CAP.CHIP X7R U10 0805 25V 10% 040692        |
|                |              |         | D100        | DIODE SCHOTTKY 1,5A BYS10-45 45V 070247     |
|                |              |         | D101        | DIODE SCHOTTKY 1,5A BYS10-45 45V 070247     |
|                |              |         | D500        | DIODE CHIP SOT323 DAN202U 070227            |
|                |              |         | D501        | DIODE CHIP SOT323 DAN202U 070227            |
|                |              |         | IC100       | MICROPROC. "546" V5.02 S912T 080722         |
|                |              |         | IC101       | DECODER IC SO-16 EL00 19 080563             |
|                |              |         | IC102       | EE-PROM 2K SO-8 93LC56BX/SN 080564          |
|                |              |         | IC103       | VOLT.CONV. 3V SOT89 S-8435BF 080569         |
|                |              |         | IC104       | VOLTAGE DETECTOR SOT89 7700YVA 080561       |
|                |              |         | J100        | FEMALE CONTACT 06P 87340-0622 180648        |
|                |              |         | J102        | FEMALE CONTACT SMD 16P 1-177560-6 180647    |
|                |              |         | L100        | COIL CHIP 3U3H 1008CS 10% 060168            |
|                |              |         | L101        | COIL CHIP 1U5H SIMID 02 10% 060151          |
|                |              |         | L102        | CHOKE 150UH D75C 060222                     |
|                |              |         | L103        | COIL CHIP U47H 1008CS 10% 060133            |
|                |              |         | LED100      | LIGHT EM.DIODE SMD RED CL-200HR-C-TS 090085 |
|                |              |         | R100        | RESISTOR CHIP 1K0 0603 1% 020656            |
|                |              |         | R101        | RESISTOR CHIP M10 0603 1% 020663            |
|                |              |         | R102        | RESISTOR CHIP 10K 0603 1% 020666            |
|                |              |         | R103        | RESISTOR CHIP 10K 0603 1% 020666            |
|                |              |         | R104        | RESISTOR CHIP 10K 0603 1% 020666            |
|                |              |         | R105        | RESISTOR CHIP 10K 0603 1% 020666            |
|                |              |         | R106        | RESISTOR CHIP 10K 0603 1% 020666            |
|                |              |         | R107        | RESISTOR CHIP M10 0603 1% 020663            |
|                |              |         | R108        | RESISTOR CHIP 10K 0603 1% 020666            |
|                |              |         | R109        | RESISTOR CHIP M10 0603 1% 020663            |
|                |              |         | R110        | RESISTOR CHIP 4M7 0603 5% 020662            |
|                |              |         | R112        | RESISTOR CHIP 10K 0603 1% 020666            |
|                |              |         | R113        | RESISTOR CHIP 10K 0603 1% 020666            |
|                |              |         | R114        | RESISTOR CHIP 47R 1206 0W1 5% 020556        |
|                |              |         | R115        | RESISTOR CHIP 10K 0603 1% 020666            |
|                |              |         | R116        | RESISTOR CHIP 1K0 0603 1% 020656            |
|                |              |         | R117        | RESISTOR CHIP K15 0603 1% 020711            |
|                |              |         | R118        | RESISTOR CHIP K33 0603 1% 020664            |
|                |              |         | R119        | RESISTOR CHIP 10M 0805 0W1 5% 020625        |
|                |              |         | R120        | RESISTOR CHIP 10K 0603 1% 020666            |
|                |              |         | R121        | RESISTOR CHIP 1M0 0603 1% 020667            |
|                |              |         | R123        | RESISTOR CHIP 10K 0603 1% 020666            |
|                |              |         | R126        | RESISTOR CHIP 4M7 0603 5% 020662            |
|                |              |         | R127        | RESISTOR CHIP 10K 0603 1% 020666            |
|                |              |         | R128        | RESISTOR CHIP 1K0 0603 1% 020656            |
|                |              |         | R129        | RESISTOR CHIP 10K 0603 1% 020666            |
|                |              |         | R130        | RESISTOR CHIP M10 0603 1% 020663            |

Tillhör arkiv nr:

TU:

| Parts List No. | Product name | Ref.No. | Description                            | Art.No.   |
|----------------|--------------|---------|----------------------------------------|-----------|
| 544367         | SMD-KIT EX   | 912PUT  |                                        |           |
|                |              | R131    | RESISTOR CHIP 68R 0805                 | 5% 020586 |
|                |              | R132    | RESISTOR CHIP K33 0603                 | 1% 020664 |
|                |              | R133    | RESISTOR CHIP K10 0603                 | 1% 020653 |
|                |              | R135    | RESISTOR CHIP 1K0 0603                 | 1% 020656 |
|                |              | R136    | RESISTOR CHIP 10R 1206                 | 5% 020609 |
|                |              | R137    | RESISTOR CHIP 10R 1206                 | 5% 020609 |
|                |              | R138    | RESISTOR CHIP 3R3 1206                 | 5% 020669 |
|                |              | R139    | RESISTOR CHIP 10R 1206                 | 5% 020609 |
|                |              | R140    | RESISTOR CHIP 1R8 0603                 | 5% 020743 |
|                |              | R500    | RESISTOR CHIP K56 0603                 | 1% 020655 |
|                |              | R501    | RESISTOR CHIP 2K2 0603                 | 1% 020657 |
|                |              | R502    | RESISTOR CHIP M10 0603                 | 1% 020663 |
|                |              | R503    | RESISTOR CHIP M10 0603                 | 1% 020663 |
|                |              | R505    | RESISTOR CHIP M10 0603                 | 1% 020663 |
|                |              | R506    | RESISTOR CHIP 1K0 0603                 | 1% 020656 |
|                |              | R507    | RESISTOR CHIP 2K2 0603                 | 1% 020657 |
|                |              | R508    | RESISTOR CHIP K56 0603                 | 1% 020655 |
|                |              | R509    | RESISTOR CHIP 3K9 0603                 | 1% 020672 |
|                |              | R510    | RESISTOR CHIP 7K5 0603                 | 1% 020683 |
|                |              | R511    | RESISTOR CHIP 5K6 0603                 | 1% 020673 |
|                |              | S100    | PUSH BUTTON SWITCH SMD SKQLLC          | 170289    |
|                |              | TR100   | TRANSISTOR CHIP SOT323 BC858CW         | 070232    |
|                |              | TR102   | TRANSISTOR CHIP SOT323 BC848CW 2SC4081 | 070225    |
|                |              | TR103   | TRANSISTOR CHIP SOT323 BC848CW 2SC4081 | 070225    |
|                |              | TR104   | TRANSISTOR CHIP SOT323 BC848CW 2SC4081 | 070225    |
|                |              | TR500   | TRANSISTOR CHIP SOT323 BC807W-40       | 070230    |
|                |              | TR501   | TRANSISTOR CHIP SOT323 BC807W-40       | 070230    |
|                |              | TR502   | TRANSISTOR CHIP SOT323 BC817W-40       | 070231    |
|                |              | TR504   | TRANSISTOR CHIP SOT323 BC817W-40       | 070231    |
|                |              | TR505   | TRANSISTOR CHIP SOT323 BC858CW         | 070232    |
|                |              | TR506   | TRANSISTOR CHIP SOT323 BC848CW 2SC4081 | 070225    |
|                |              | TR507   | TRANSISTOR CHIP SOT323 BC817W-40       | 070231    |
|                |              | X100    | CRYSTAL SMD 76.800 MC-306              | 101751    |
|                |              | X101    | CER. RESONATOR CHIP PBRC-4.00-B        | 120045    |
|                |              | Z100    | DIODE ZENER SOT23 4V7 BZX84C           | 070252    |
|                |              | Z101    | DIODE ZENER SOT23 4V7 BZX84C           | 070252    |

\* \* \* END of list \* \* \*

\* \* \* SLUT \* \* \*

| Prod. nummer | Produktnamn         | Löp. nr | Opn nr | Matr. nr | Senaste revisionsdatum        | Artikelnämning | Ing. kvant | Enh | Textrad 1       |
|--------------|---------------------|---------|--------|----------|-------------------------------|----------------|------------|-----|-----------------|
| 544330       | MOTTAGARKORT BAND A | 10      | 100    | SENREV   |                               |                |            | —   | 1998-04-14 / SH |
|              |                     | 20      | 200    | 010421   | MÖNSTERKORT FLEX.ANT. 40371 C |                | 1,000      | ST  |                 |
|              |                     | 30      |        | 230683   | BATT.BLECK KASSET 912T 60034B |                | 1,000      | ST  |                 |
|              |                     | 40      |        | 250239   | ETIKETT BATTERI 912 M60205A   |                | 1,000      | ST  |                 |
|              |                     | 50      |        | 280598   | KASSETT 912 V0013B            |                | 1,000      | ST  |                 |
|              |                     | 60      |        | 300283   | SKROV P-TYPE 1.7*3.0*0.9*4.0  |                | 3,000      | ST  |                 |
|              |                     | 70      |        | 490330   | ESD TEJP 912T M60268B         |                | 1,000      | ST  |                 |
|              |                     | 80      |        | 544565   | SMD-SATS BAND A U912RXT       |                | 1,000      | ST2 |                 |

STRUKTURUTSKRIFT

utskriften: 98-06-30 kl: 10:47:22

Sida: 7

| Prod. nummer | Produktnamn | Löp. nr | Opn nr | Matr. nr | Artikelbenämning              | Senaste revisionsdatum | Ing. kvant | Enh | Textrad 1       |
|--------------|-------------|---------|--------|----------|-------------------------------|------------------------|------------|-----|-----------------|
| 544585       | SMD-SATS    | 10      | 100    | SENREV   | BAND A U912RXT EX             |                        |            |     | 1997-10-02 / BE |
|              |             | 20      | 900    | 544234   | GEMENSAM KOMP.SATS U912RXT EX |                        | 1,000      | ST2 |                 |
|              |             | 30      |        | 544310   | FREKV. BER. KOMP. A U912RXT   |                        | 1,000      | ST  |                 |

\* \* Slut på DF 544585 \* \*

Tillhör arkiv nr: TU:

| Parts List No. | Product name      | Ref.No. | Description                                     | Art.No. |
|----------------|-------------------|---------|-------------------------------------------------|---------|
| 544234         | RECEIVER PC-BOARD | U912RXT | 980216 Latest revision date for this parts list | SENREV  |
|                |                   | PC      | PC-BOARD VERSION 40360 J                        | 010505  |
|                |                   | C302    | TRIMCAP.CHIP 3P 3*4,5MM                         | 050028  |
|                |                   | C303    | TRIMCAP.CHIP 3P 3*4,5MM                         | 050028  |
|                |                   | C304    | CAP.CHIP X7R 2N2 0603 50V 10%                   | 040718  |
|                |                   | C306    | CAP.CHIP NPO 10P 0603 50V P25                   | 040708  |
|                |                   | C307    | CAP.CHIP NPO P82 0603 50V P25                   | 040729  |
|                |                   | C308    | CAP.CHIP X7R 2N2 0603 50V 10%                   | 040718  |
|                |                   | C309    | CAP.CHIP NPO 1P0 0603 50V P25                   | 040705  |
|                |                   | C310    | CAP.CHIP NPO 3P9 0603 50V P25                   | 040731  |
|                |                   | C311    | CAP.CHIP NPO 2P7 0603 50V P25                   | 040768  |
|                |                   | C312    | CAP.CHIP NPO 68P 0603 50V 5%                    | 040713  |
|                |                   | C315    | CAP.CHIP X7R U22 0805 16V 10%                   | 040741  |
|                |                   | C316    | CAP.CHIP X7R 2N2 0603 50V 10%                   | 040718  |
|                |                   | C317    | CAP.CHIP X7R 2N2 0603 50V 10%                   | 040718  |
|                |                   | C318    | CAP.CHIP NPO 10P 0603 50V P25                   | 040708  |
|                |                   | C319    | CAP.CHIP NPO 3P9 0603 50V P25                   | 040731  |
|                |                   | C321    | CAP.CHIP X7R 22N 0603 25V 10%                   | 040719  |
|                |                   | C322    | CAP.CHIP X7R 22N 0603 25V 10%                   | 040719  |
|                |                   | C323    | CAP.CHIP X7R U22 0805 16V 10%                   | 040741  |
|                |                   | C324    | CAP.CHIP X7R 1U0 0805 10V 10%                   | 040765  |
|                |                   | C325    | CAP.CHIP X7R 22N 0603 25V 10%                   | 040719  |
|                |                   | C326    | TRIMCAP.CHIP 6P T2C03Z                          | 050033  |
|                |                   | C327    | CAP.CHIP X7R 22N 0603 25V 10%                   | 040719  |
|                |                   | C328    | CAP.CHIP X7R 1U0 0805 10V 10%                   | 040765  |
|                |                   | C329    | CAP.CHIP X7R 22N 0603 25V 10%                   | 040719  |
|                |                   | C330    | CAP.CHIP X7R 22N 0603 25V 10%                   | 040719  |
|                |                   | C331    | CAP.TANTAL CHIP 4U7 R 4,0V 20%                  | 040743  |
|                |                   | C332    | CAP.CHIP NPO N18 0603 50V 5%                    | 040700  |
|                |                   | C333    | CAP.CHIP X7R N47 0603 50V 10%                   | 040738  |
|                |                   | C334    | CAP.CHIP NPO N10 0603 50V 5%                    | 040715  |
|                |                   | C335    | CAP.CHIP X7R N56 0603 50V 10%                   | 040716  |
|                |                   | C336    | CAP.CHIP X7R 1U0 0805 10V 10%                   | 040765  |
|                |                   | C337    | CAP.CHIP X7R 1U0 0805 10V 10%                   | 040765  |
|                |                   | C339    | CAP.CHIP NPO 2P7 0603 50V P25                   | 040768  |
|                |                   | C340    | CAP.CHIP X7R U22 0805 16V 10%                   | 040741  |
|                |                   | C341    | CAP.CHIP X7R 22N 0603 25V 10%                   | 040719  |
|                |                   | C343    | CAP.CHIP X7R 2N2 0603 50V 10%                   | 040718  |
|                |                   | C344    | CAP.CHIP X7R 22N 0603 25V 10%                   | 040719  |
|                |                   | C345    | CAP.CHIP X7R 2N2 0603 50V 10%                   | 040718  |
|                |                   | C346    | TRIMCAP.CHIP 6P T2C03Z                          | 050033  |
|                |                   | C347    | CAP.CHIP NPO 6P8 0603 50V P25                   | 040732  |
|                |                   | C348    | CAP.CHIP NPO 1P5 0603 50V P25                   | 040760  |
|                |                   | C353    | TRIMCAP.CHIP 3P 3*4,5MM                         | 050028  |
|                |                   | C354    | CAP.CHIP X7R 2N2 0603 50V 10%                   | 040718  |
|                |                   | C356    | CAP.CHIP NPO 10P 0603 50V P25                   | 040708  |
|                |                   | C357    | CAP.CHIP NPO P82 0603 50V P25                   | 040729  |
|                |                   | C359    | CAP.CHIP NPO 1P0 0603 50V P25                   | 040705  |
|                |                   | C360    | CAP.CHIP NPO 3P9 0603 50V P25                   | 040731  |
|                |                   | C365    | CAP.CHIP X7R U22 0805 16V 10%                   | 040741  |
|                |                   | C366    | CAP.CHIP X7R 2N2 0603 50V 10%                   | 040718  |
|                |                   | D300    | DIODE CHIP SOT323 BAV99W                        | 070226  |
|                |                   | FL300   | FILTER CERAMIC SMD ATECFM5-455CL                | 120042  |
|                |                   | IC300   | IC FM IF AMPLIFIER CXA1474AN                    | 080590  |
|                |                   | IC301   | PHOTO-REFLECTOR PR-11 RANK B                    | 090086  |
|                |                   | J300    | MALE CONTACT SMD 16P 1-178987-6                 | 180646  |



Tillhör arkiv nr:

TU:

| Parts<br>List No. | Product name      | Ref.No. | Description                                  | Art.No. |
|-------------------|-------------------|---------|----------------------------------------------|---------|
| 544234            | RECEIVER PC-BOARD | U912RXT | L300 COIL CHIP 12NH 0805CS 20%               | 060173  |
|                   |                   |         | L301 COIL CHIP U10H 0603 5%                  | 060217  |
|                   |                   |         | L302 COIL CHIP 12NH 0805CS 20%               | 060173  |
|                   |                   |         | L303 COIL CHIP 8N2H 0805CS 20%               | 060172  |
|                   |                   |         | L304 COIL IF-BALUN SMD CP-55 5119-H003       | 060211  |
|                   |                   |         | L305 COIL CHIP 1UH 1008CS 10%                | 060141  |
|                   |                   |         | L306 COIL CHIP 27NH 0805CS 20%               | 060174  |
|                   |                   |         | L307 COIL CHIP U22H 1008CS 2%                | 060125  |
|                   |                   |         | L308 COIL CHIP U10H 0603 5%                  | 060217  |
|                   |                   |         | L351 COIL CHIP U10H 0603 5%                  | 060217  |
|                   |                   |         | L352 COIL CHIP 12NH 0805CS 20%               | 060173  |
|                   |                   |         | L353 COIL CHIP 8N2H 0805CS 20%               | 060172  |
|                   |                   |         | R301 RESISTOR CHIP 5K6 0603 1%               | 020673  |
|                   |                   |         | R302 RESISTOR CHIP 5K6 0603 1%               | 020673  |
|                   |                   |         | R303 RESISTOR CHIP 22K 0603 1%               | 020660  |
|                   |                   |         | R304 RESISTOR CHIP K39 0603 1%               | 020670  |
|                   |                   |         | R305 RESISTOR CHIP K10 0603 1%               | 020653  |
|                   |                   |         | R306 RESISTOR CHIP 1K8 0603 1%               | 020659  |
|                   |                   |         | R307 RESISTOR CHIP 1K8 0603 1%               | 020659  |
|                   |                   |         | R308 RESISTOR CHIP K82 0603 1%               | 020731  |
|                   |                   |         | R309 RESISTOR CHIP 2K2 0603 1%               | 020657  |
|                   |                   |         | R310 RESISTOR CHIP K68 0603 1%               | 020679  |
|                   |                   |         | R311 RESISTOR CHIP 12K 0603 1%               | 020708  |
|                   |                   |         | R312 RESISTOR CHIP 1K0 0603 1%               | 020656  |
|                   |                   |         | R313 RESISTOR CHIP K82 0603 1%               | 020731  |
|                   |                   |         | R314 RESISTOR CHIP 68K 0603 1%               | 020661  |
|                   |                   |         | R315 RESISTOR CHIP 68K 0603 1%               | 020661  |
|                   |                   |         | R316 RESISTOR CHIP 68K 0603 1%               | 020661  |
|                   |                   |         | R317 RESISTOR CHIP 68K 0603 1%               | 020661  |
|                   |                   |         | R318 RESISTOR CHIP 68K 0603 1%               | 020661  |
|                   |                   |         | R319 RESISTOR CHIP 68K 0603 1%               | 020661  |
|                   |                   |         | R320 RESISTOR CHIP 82K 0603 1%               | 020671  |
|                   |                   |         | R321 RESISTOR CHIP 22K 0603 1%               | 020660  |
|                   |                   |         | R322 RESISTOR CHIP 15K 0603 1%               | 020654  |
|                   |                   |         | R323 RESISTOR CHIP 4M7 0603 5%               | 020662  |
|                   |                   |         | R324 RESISTOR CHIP 22K 0603 1%               | 020660  |
|                   |                   |         | R325 RESISTOR CHIP 1K0 0603 1%               | 020656  |
|                   |                   |         | R326 RESIST. CHIP NTC 4K7 0805 10%           | 020573  |
|                   |                   |         | R327 RESISTOR CHIP 12K 0603 1%               | 020708  |
|                   |                   |         | R328 RESISTOR CHIP 1K8 0603 1%               | 020659  |
|                   |                   |         | R329 RESISTOR CHIP 22K 0603 1%               | 020660  |
|                   |                   |         | R330 RESISTOR CHIP 1K0 0603 1%               | 020656  |
|                   |                   |         | R331 RESISTOR CHIP 68K 0603 1%               | 020661  |
|                   |                   |         | R332 RESISTOR CHIP 68K 0603 1%               | 020661  |
|                   |                   |         | R333 RESISTOR CHIP 2M2 0603 5%               | 020705  |
|                   |                   |         | R351 RESISTOR CHIP 5K6 0603 1%               | 020673  |
|                   |                   |         | R352 RESISTOR CHIP 5K6 0603 1%               | 020673  |
|                   |                   |         | R354 RESISTOR CHIP K39 0603 1%               | 020670  |
|                   |                   |         | R356 RESISTOR CHIP 1K8 0603 1%               | 020659  |
|                   |                   |         | TR300 TRANSISTOR CHIP SOT323 BC858CW         | 070232  |
|                   |                   |         | TR301 TRANSISTOR CHIP SOT323 BFS25A          | 070221  |
|                   |                   |         | TR302 TRANSISTOR CHIP SOT323 BFS25A          | 070221  |
|                   |                   |         | TR303 TRANSISTOR CHIP SOT323 BFS25A          | 070221  |
|                   |                   |         | TR304 TRANSISTOR CHIP SOT323 BFS25A          | 070221  |
|                   |                   |         | TR305 TRANSISTOR CHIP SOT323 BC848CW 2SC4081 | 070225  |
|                   |                   |         | TR351 TRANSISTOR CHIP SOT323 BFS25A          | 070221  |

Tillhör arkiv nr:

TU:

| Parts<br>List No. | Product name      |         | Ref.No. | Description                       | Art.No. |
|-------------------|-------------------|---------|---------|-----------------------------------|---------|
| 544234            | RECEIVER PC-BOARD | U912RXT | TR352   | TRANSISTOR CHIP SOT323 BFS25A     | 070221  |
|                   |                   |         | X302    | RESONATOR CERAMIC SMD CDBC455CX33 | 120047  |

\* \* \* END of list \* \* \*

Tillhör arkiv nr:

TU:

| Parts<br>List No. | Product name               | Ref.No. | Description                              | Art.No. |
|-------------------|----------------------------|---------|------------------------------------------|---------|
| 544310            | FREQ. DEP. COMP. A U912RXT | 960311  | Latest revision date for this parts list | SENREV  |
|                   |                            | C301    | CAP.CHIP NPO 4P7 0603 50V P25            | 040707  |
|                   |                            | C305    | CAP.CHIP NPO 4P7 0603 50V P25            | 040707  |
|                   |                            | C313    | CAP.CHIP N750 15P 0805 25V 5%            | 040505  |
|                   |                            | C314    | CAP.CHIP NPO 8P2 0603 50V P25            | 040733  |
|                   |                            | C320    | CAP.CHIP NPO 4P7 0603 50V P25            | 040707  |
|                   |                            | C342    | CAP.CHIP NPO 12P 0603 50V 2%             | 040709  |
|                   |                            | C355    | CAP.CHIP NPO 3P3 0603 50V P25            | 040746  |
|                   |                            | R420    | RESISTOR CHIP 68K 0603 1%                | 020661  |

\* \* \* END of list \* \* \*