

Dokumenttitel - Document title:			Dokumenttyp - Document: type	
External Hardware Design Description for IPBS2			eHDD	
Uppgjord av - Prepared by:	Godkänd av - Approved by:	Datum - Date:	Version:	Dok.nr - Doc no.:
SEMNy		2015-01-28	A	TBD

2 BLOCKDIAGRAM

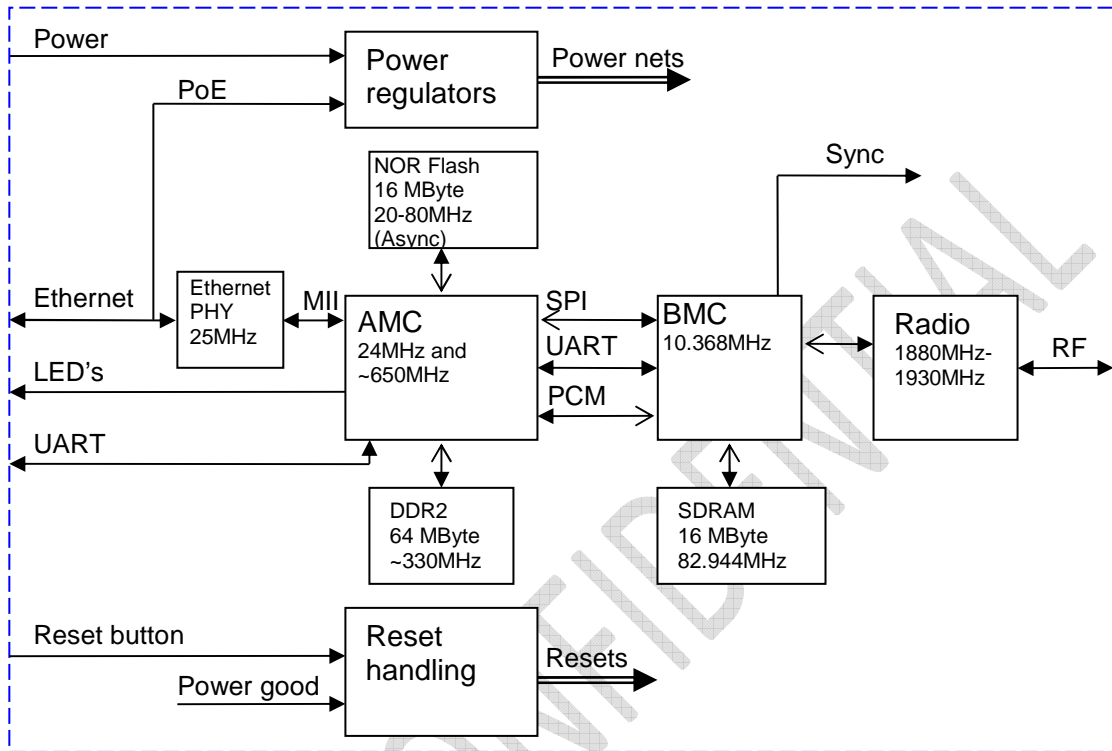


Figure 1: Block diagram for IPBS2

For more information about operating and internal frequencies see descriptions in next chapter.

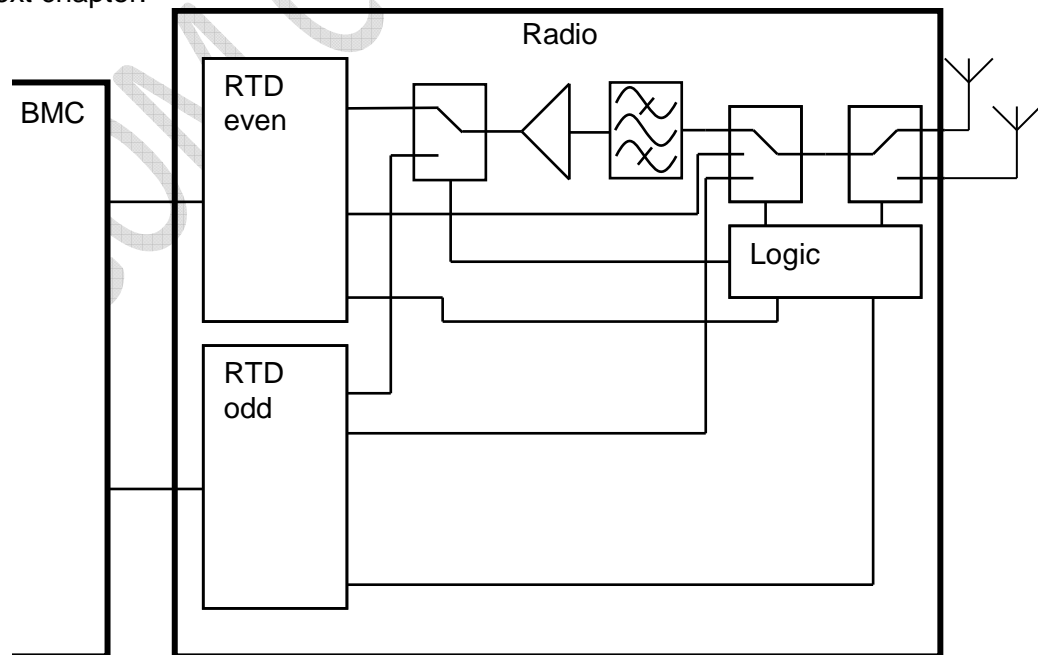


Figure 2: Block diagram for IPBS2 radio