

Appendix for the SAR Test Report

Dosimetric Assessment of the Portable Device DH7 from Ascom (FCC ID BXZDH7)

According to the FCC Requirements SAR Distribution Plots

April 18, 2016

IMST GmbH

Carl-Friedrich-Gauß-Str. 2 - 4
47475 Kamp-Lintfort
Germany

Customer

Ascom Sweden AB
Grimbodalen 2
40276 Göteborg
Sweden

The test results only relate to the items tested.
This report shall not be reproduced except in full without the written approval of the testing laboratory.

1 SAR Distribution Plots for Head and Body Worn Configuration

Test Laboratory: IMST GmbH, DASY Blue (I); File Name: [DH7_65H_b_dect_lm_1_clip_ant1.da4](#)

DUT: Ascom; Type: DH7; Serial: T26105R65H
Program Name: DECT

Communication System: DECT US; Frequency: 1924.99 MHz; Duty Cycle: 1:24
Medium parameters used: $f = 1924.99$ MHz; $\sigma = 1.43$ mho/m; $\epsilon_r = 38.9$; $\rho = 1000$ kg/m³
Phantom section: Left Section

DASY4 Configuration:

- Probe: ET3DV6R - SN1579; ConvF(5.3, 5.3, 5.3); Calibrated: 23.02.2016
- Sensor-Surface: 4mm (Mechanical Surface Detection)
- Electronics: DAE4 Sn631; Calibrated: 16.09.2015
- Phantom: SAM Glycol 1176; Type: Speag; Serial: 1176
- Measurement SW: DASY4, V4.7 Build 80; Postprocessing SW: SEMCAD, V1.8 Build 186

Tilted Left/Area Scan (7x12x1): Measurement grid: dx=15mm, dy=15mm

Maximum value of SAR (measured) = 0.038 mW/g

Tilted Left/Zoom Scan (7x7x7)/Cube 0: Measurement grid: dx=5mm, dy=5mm, dz=5mm

Reference Value = 5.44 V/m; Power Drift = 0.146 dB

Peak SAR (extrapolated) = 0.047 W/kg

SAR(1 g) = 0.036 mW/g; SAR(10 g) = 0.021 mW/g

Maximum value of SAR (measured) = 0.039 mW/g

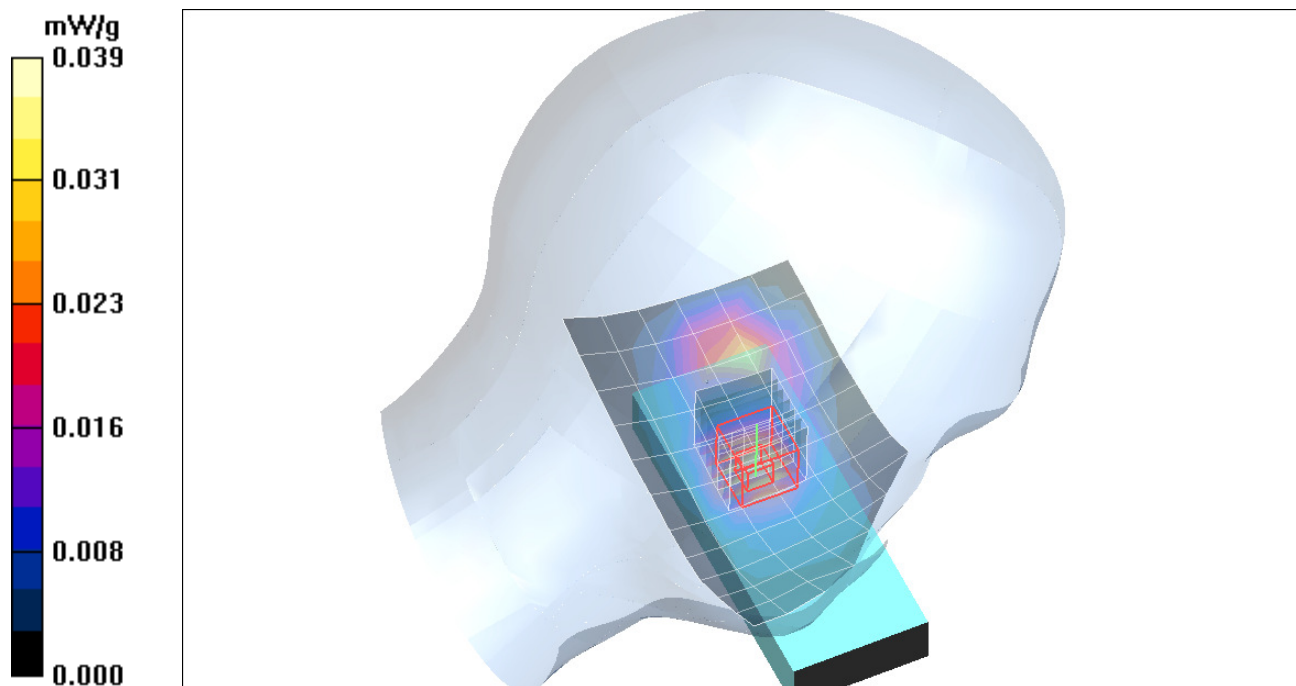


Fig. 1: SAR distribution for DECT US, channel 2, antenna 1, cheek position, left side of head

Test Laboratory: IMST GmbH, DASY Blue (I); File Name: [DH7_65H_b_dect_lm_2_clip_ant1.da4](#)

DUT: Ascom; Type: DH7; Serial: T26105R65H
Program Name: DECT

Communication System: DECT US; Frequency: 1924.99 MHz; Duty Cycle: 1:24
Medium parameters used: $f = 1924.99$ MHz; $\sigma = 1.43$ mho/m; $\epsilon_r = 38.9$; $\rho = 1000$ kg/m³
Phantom section: Left Section

DASY4 Configuration:

- Probe: ET3DV6R - SN1579; ConvF(5.3, 5.3, 5.3); Calibrated: 23.02.2016
- Sensor-Surface: 4mm (Mechanical Surface Detection)
- Electronics: DAE4 Sn631; Calibrated: 16.09.2015
- Phantom: SAM Glycol 1176; Type: Speag; Serial: 1176
- Measurement SW: DASY4, V4.7 Build 80; Postprocessing SW: SEMCAD, V1.8 Build 186

Tilted Left/Area Scan (7x12x1): Measurement grid: dx=15mm, dy=15mm

Maximum value of SAR (measured) = 0.023 mW/g

Tilted Left/Zoom Scan (7x7x7)/Cube 0: Measurement grid: dx=5mm, dy=5mm, dz=5mm

Reference Value = 2.77 V/m; Power Drift = -0.139 dB

Peak SAR (extrapolated) = 0.048 W/kg

SAR(1 g) = 0.024 mW/g; SAR(10 g) = 0.012 mW/g

Maximum value of SAR (measured) = 0.028 mW/g

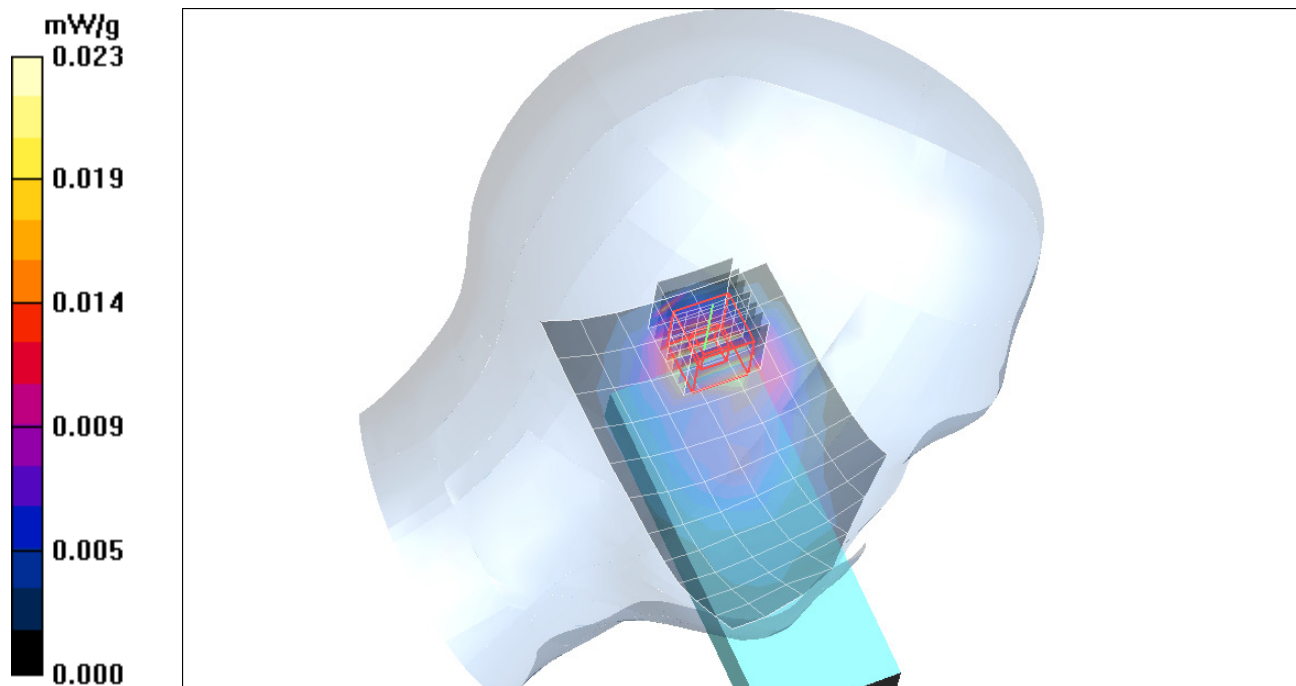


Fig. 2: SAR distribution for DECT US, channel 2, antenna 1, tilted position, left side of head

Test Laboratory: IMST GmbH, DASY Blue (I); File Name: [DH7_65H_b_dect_rm_1_clip_ant1.da4](#)

DUT: Ascom; Type: DH7; Serial: T26105R65H
Program Name: DECT

Communication System: DECT US; Frequency: 1924.99 MHz; Duty Cycle: 1:24
Medium parameters used: $f = 1924.99$ MHz; $\sigma = 1.43$ mho/m; $\epsilon_r = 38.9$; $\rho = 1000$ kg/m³
Phantom section: Right Section

DASY4 Configuration:

- Probe: ET3DV6R - SN1579; ConvF(5.3, 5.3, 5.3); Calibrated: 23.02.2016
- Sensor-Surface: 4mm (Mechanical Surface Detection)
- Electronics: DAE4 Sn631; Calibrated: 16.09.2015
- Phantom: SAM Glycol 1176; Type: Speag; Serial: 1176
- Measurement SW: DASY4, V4.7 Build 80; Postprocessing SW: SEMCAD, V1.8 Build 186

Cheek Right/Area Scan (7x12x1): Measurement grid: dx=15mm, dy=15mm

Maximum value of SAR (measured) = 0.033 mW/g

Cheek Right/Zoom Scan (7x7x7)/Cube 0: Measurement grid: dx=5mm, dy=5mm, dz=5mm

Reference Value = 4.13 V/m; Power Drift = 0.050 dB

Peak SAR (extrapolated) = 0.046 W/kg

SAR(1 g) = 0.034 mW/g; SAR(10 g) = 0.020 mW/g

Maximum value of SAR (measured) = 0.038 mW/g

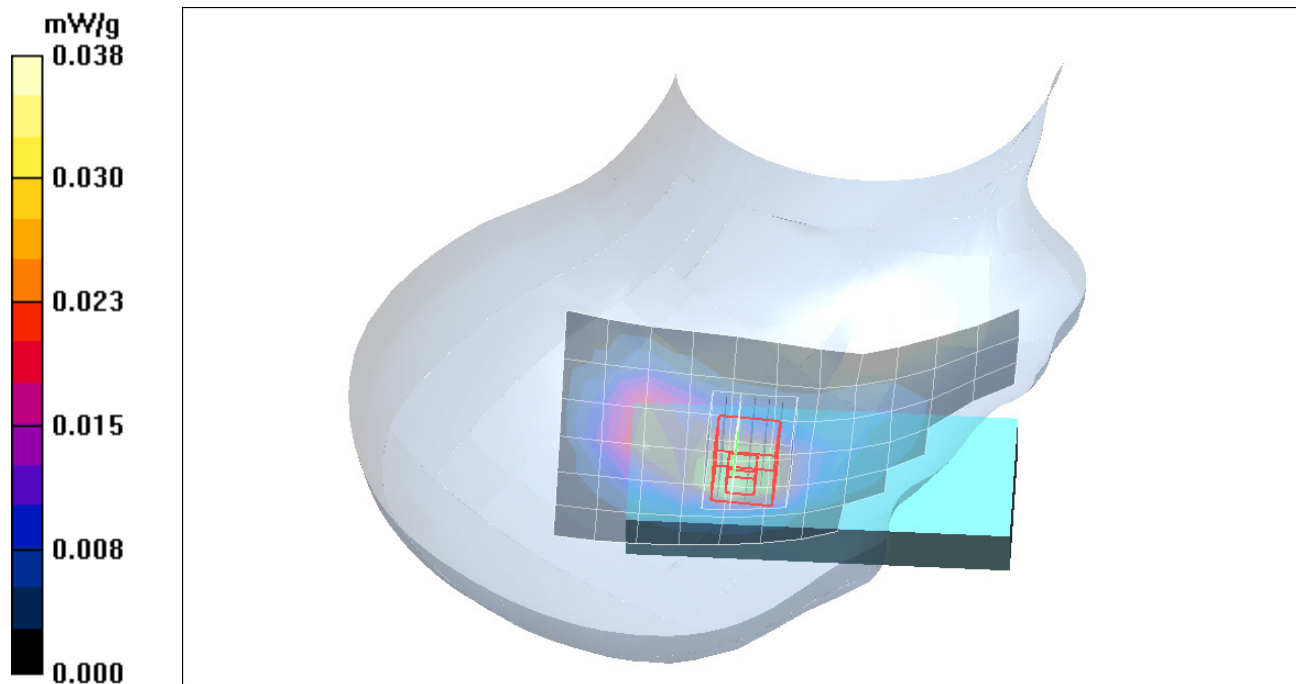


Fig. 3: SAR distribution for DECT US, channel 2, antenna 1, cheek position, right side of head

Test Laboratory: IMST GmbH, DASY Blue (I); File Name: [DH7_65H_b_dect_rm_2_clip_ant1.da4](#)

DUT: Ascom; Type: DH7; Serial: T26105R65H
Program Name: DECT

Communication System: DECT US; Frequency: 1924.99 MHz; Duty Cycle: 1:24
Medium parameters used: $f = 1924.99$ MHz; $\sigma = 1.43$ mho/m; $\epsilon_r = 38.9$; $\rho = 1000$ kg/m³
Phantom section: Right Section

DASY4 Configuration:

- Probe: ET3DV6R - SN1579; ConvF(5.3, 5.3, 5.3); Calibrated: 23.02.2016
- Sensor-Surface: 4mm (Mechanical Surface Detection)
- Electronics: DAE4 Sn631; Calibrated: 16.09.2015
- Phantom: SAM Glycol 1176; Type: Speag; Serial: 1176
- Measurement SW: DASY4, V4.7 Build 80; Postprocessing SW: SEMCAD, V1.8 Build 186

Tilted Right/Area Scan (7x12x1): Measurement grid: dx=15mm, dy=15mm

Maximum value of SAR (measured) = 0.019 mW/g

Tilted Right/Zoom Scan (7x7x7)/Cube 0: Measurement grid: dx=5mm, dy=5mm, dz=5mm

Reference Value = 3.65 V/m; Power Drift = 0.057 dB

Peak SAR (extrapolated) = 0.034 W/kg

SAR(1 g) = 0.019 mW/g; SAR(10 g) = 0.010 mW/g

Maximum value of SAR (measured) = 0.021 mW/g

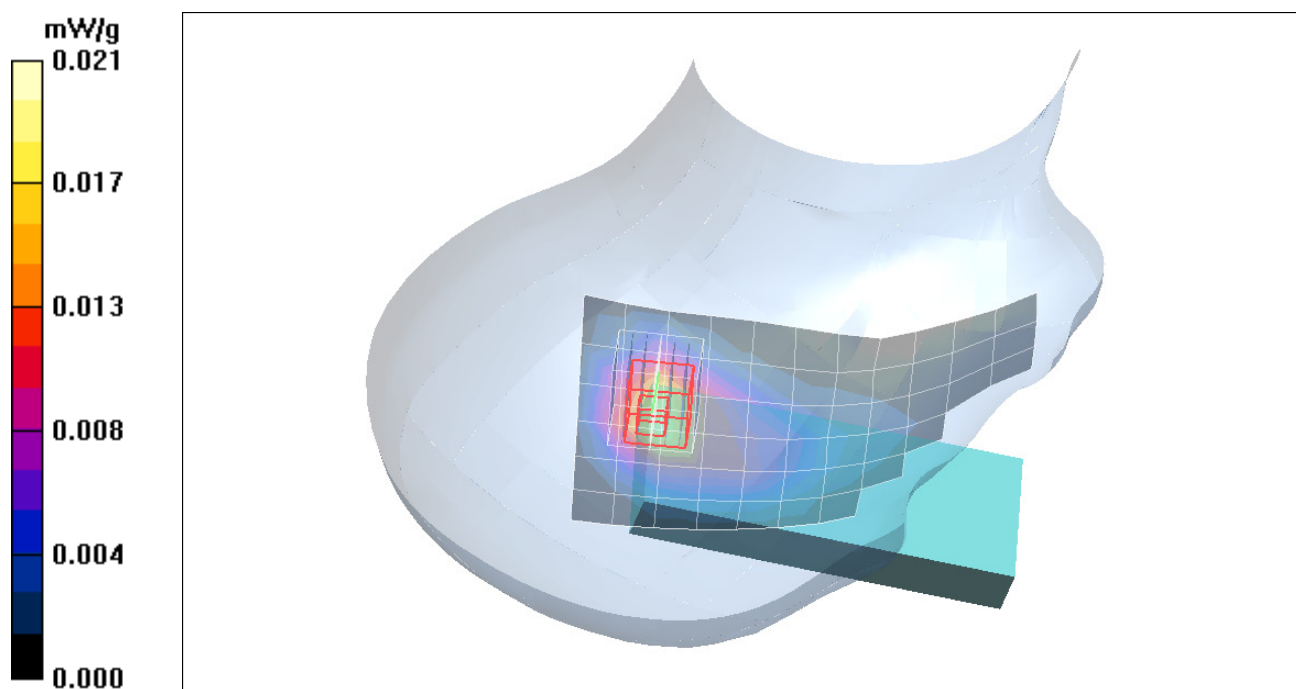


Fig. 4: SAR distribution for DECT US, channel 2, antenna 1, tilted position, right side of head

Test Laboratory: IMST GmbH, DASY Blue (I); File Name: [DH7_65H_b_dect_lm_1_clip_ant2.da4](#)

DUT: Ascom; Type: DH7; Serial: T26105R65H
Program Name: DECT

Communication System: DECT US; Frequency: 1924.99 MHz; Duty Cycle: 1:24
Medium parameters used: $f = 1924.99$ MHz; $\sigma = 1.43$ mho/m; $\epsilon_r = 38.9$; $\rho = 1000$ kg/m³
Phantom section: Left Section

DASY4 Configuration:

- Probe: ET3DV6R - SN1579; ConvF(5.3, 5.3, 5.3); Calibrated: 23.02.2016
- Sensor-Surface: 4mm (Mechanical Surface Detection)
- Electronics: DAE4 Sn631; Calibrated: 16.09.2015
- Phantom: SAM Glycol 1176; Type: Speag; Serial: 1176
- Measurement SW: DASY4, V4.7 Build 80; Postprocessing SW: SEMCAD, V1.8 Build 186

Cheek Left/Area Scan (7x12x1): Measurement grid: dx=15mm, dy=15mm

Maximum value of SAR (measured) = 0.022 mW/g

Cheek Left/Zoom Scan (7x7x7)/Cube 0: Measurement grid: dx=5mm, dy=5mm, dz=5mm

Reference Value = 3.77 V/m; Power Drift = 0.019 dB

Peak SAR (extrapolated) = 0.032 W/kg

SAR(1 g) = 0.022 mW/g; SAR(10 g) = 0.014 mW/g

Maximum value of SAR (measured) = 0.024 mW/g

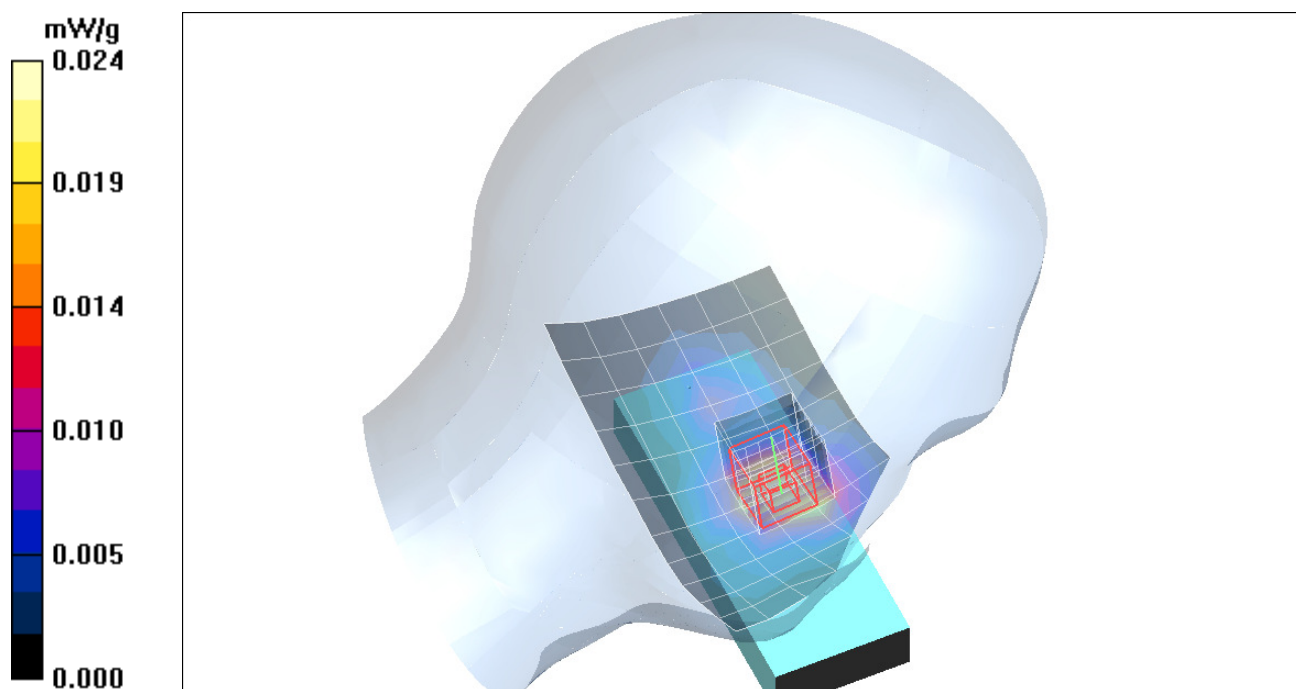


Fig. 5: SAR distribution for DECT US, channel 2, antenna 2, cheek position, left side of head

Test Laboratory: IMST GmbH, DASY Blue (I); File Name: [DH7_65H_b_dect_lm_2_clip_ant2.da4](#)

DUT: Ascom; Type: DH7; Serial: T26105R65H
Program Name: DECT

Communication System: DECT US; Frequency: 1924.99 MHz; Duty Cycle: 1:24
Medium parameters used: $f = 1924.99$ MHz; $\sigma = 1.43$ mho/m; $\epsilon_r = 38.9$; $\rho = 1000$ kg/m³
Phantom section: Left Section

DASY4 Configuration:

- Probe: ET3DV6R - SN1579; ConvF(5.3, 5.3, 5.3); Calibrated: 23.02.2016
- Sensor-Surface: 4mm (Mechanical Surface Detection)
- Electronics: DAE4 Sn631; Calibrated: 16.09.2015
- Phantom: SAM Glycol 1176; Type: Speag; Serial: 1176
- Measurement SW: DASY4, V4.7 Build 80; Postprocessing SW: SEMCAD, V1.8 Build 186

Tilted Left/Area Scan (7x12x1): Measurement grid: dx=15mm, dy=15mm

Maximum value of SAR (measured) = 0.010 mW/g

Tilted Left/Zoom Scan (7x7x7)/Cube 0: Measurement grid: dx=5mm, dy=5mm, dz=5mm

Reference Value = 2.33 V/m; Power Drift = -0.009 dB

Peak SAR (extrapolated) = 0.015 W/kg

SAR(1 g) = 0.00914 mW/g; SAR(10 g) = 0.00501 mW/g

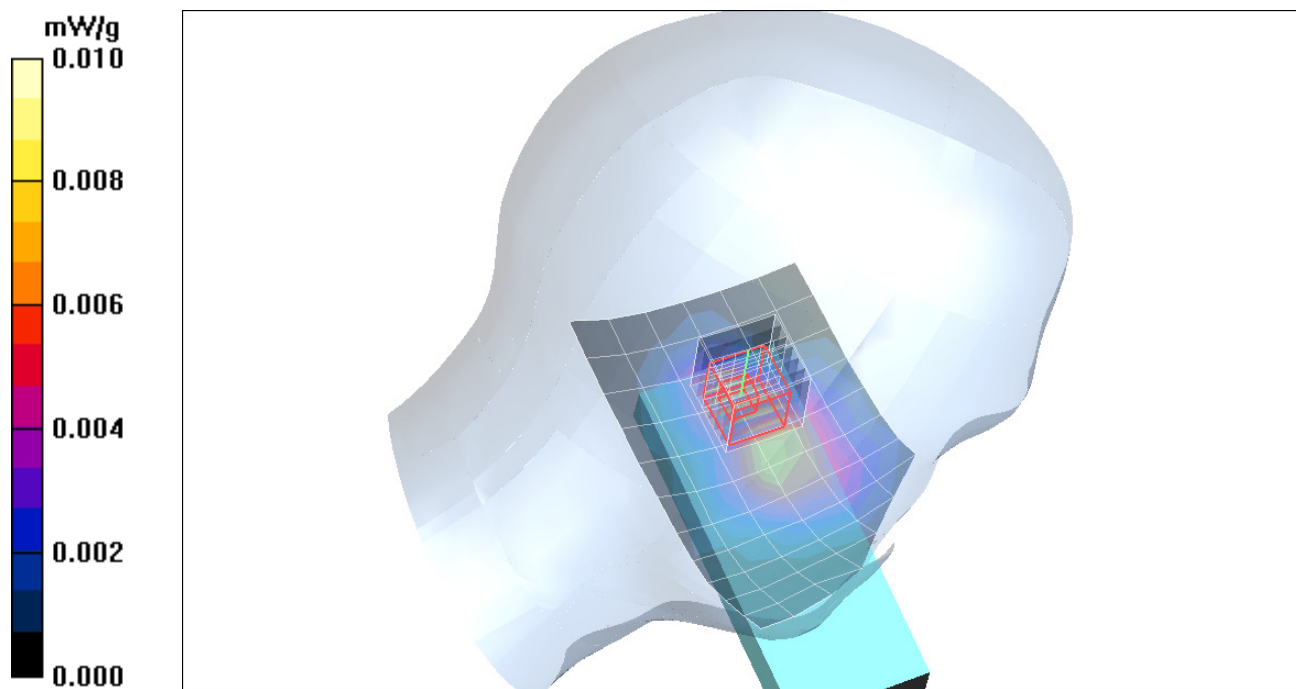


Fig. 6: SAR distribution for DECT US, channel 2, antenna 2, tilted position, left side of head

Test Laboratory: IMST GmbH, DASY Blue (I); File Name: [DH7_65H_b_dect_rm_1_clip_ant2.da4](#)

DUT: Ascom; Type: DH7; Serial: T26105R65H
Program Name: DECT

Communication System: DECT US; Frequency: 1924.99 MHz; Duty Cycle: 1:24
Medium parameters used: $f = 1924.99$ MHz; $\sigma = 1.43$ mho/m; $\epsilon_r = 38.9$; $\rho = 1000$ kg/m³
Phantom section: Right Section

DASY4 Configuration:

- Probe: ET3DV6R - SN1579; ConvF(5.3, 5.3, 5.3); Calibrated: 23.02.2016
- Sensor-Surface: 4mm (Mechanical Surface Detection)
- Electronics: DAE4 Sn631; Calibrated: 16.09.2015
- Phantom: SAM Glycol 1176; Type: Speag; Serial: 1176
- Measurement SW: DASY4, V4.7 Build 80; Postprocessing SW: SEMCAD, V1.8 Build 186

Cheek Right/Area Scan (7x12x1): Measurement grid: dx=15mm, dy=15mm

Maximum value of SAR (measured) = 0.032 mW/g

Cheek Right/Zoom Scan (7x7x7)/Cube 0: Measurement grid: dx=5mm, dy=5mm, dz=5mm

Reference Value = 2.27 V/m; Power Drift = 0.136 dB

Peak SAR (extrapolated) = 0.052 W/kg

SAR(1 g) = 0.030 mW/g; SAR(10 g) = 0.017 mW/g

Maximum value of SAR (measured) = 0.034 mW/g

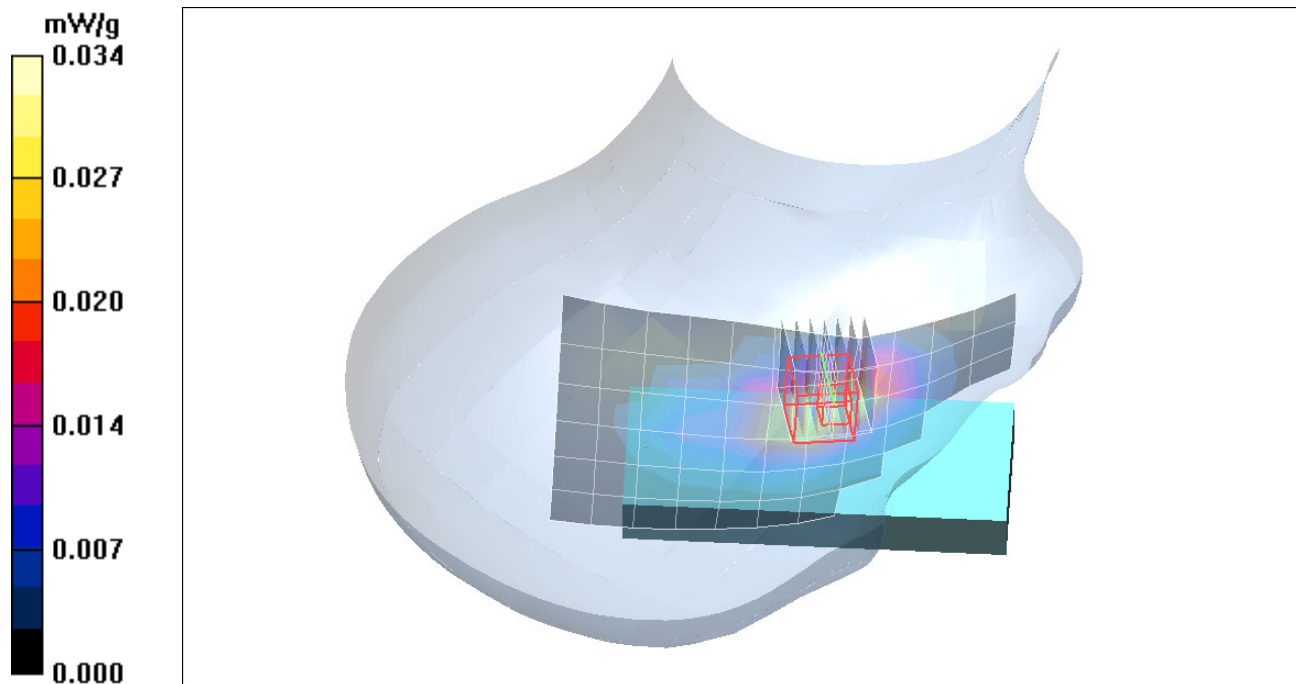


Fig. 7: SAR distribution for DECT US, channel 2, antenna 2, cheek position, right side of head

Test Laboratory: IMST GmbH, DASY Blue (I); File Name: [DH7_65H_b_dect_rm_2_clip_ant2.da4](#)

DUT: Ascom; Type: DH7; Serial: T26105R65H
Program Name: DECT

Communication System: DECT US; Frequency: 1924.99 MHz; Duty Cycle: 1:24
Medium parameters used: $f = 1924.99$ MHz; $\sigma = 1.43$ mho/m; $\epsilon_r = 38.9$; $\rho = 1000$ kg/m³
Phantom section: Right Section

DASY4 Configuration:

- Probe: ET3DV6R - SN1579; ConvF(5.3, 5.3, 5.3); Calibrated: 23.02.2016
- Sensor-Surface: 4mm (Mechanical Surface Detection)
- Electronics: DAE4 Sn631; Calibrated: 16.09.2015
- Phantom: SAM Glycol 1176; Type: Speag; Serial: 1176
- Measurement SW: DASY4, V4.7 Build 80; Postprocessing SW: SEMCAD, V1.8 Build 186

Tilted Right/Area Scan (7x12x1): Measurement grid: dx=15mm, dy=15mm

Maximum value of SAR (measured) = 0.010 mW/g

Tilted Right/Zoom Scan (7x7x7)/Cube 0: Measurement grid: dx=5mm, dy=5mm, dz=5mm

Reference Value = 2.44 V/m; Power Drift = 0.150 dB

Peak SAR (extrapolated) = 0.013 W/kg

SAR(1 g) = 0.00901 mW/g; SAR(10 g) = 0.00537 mW/g

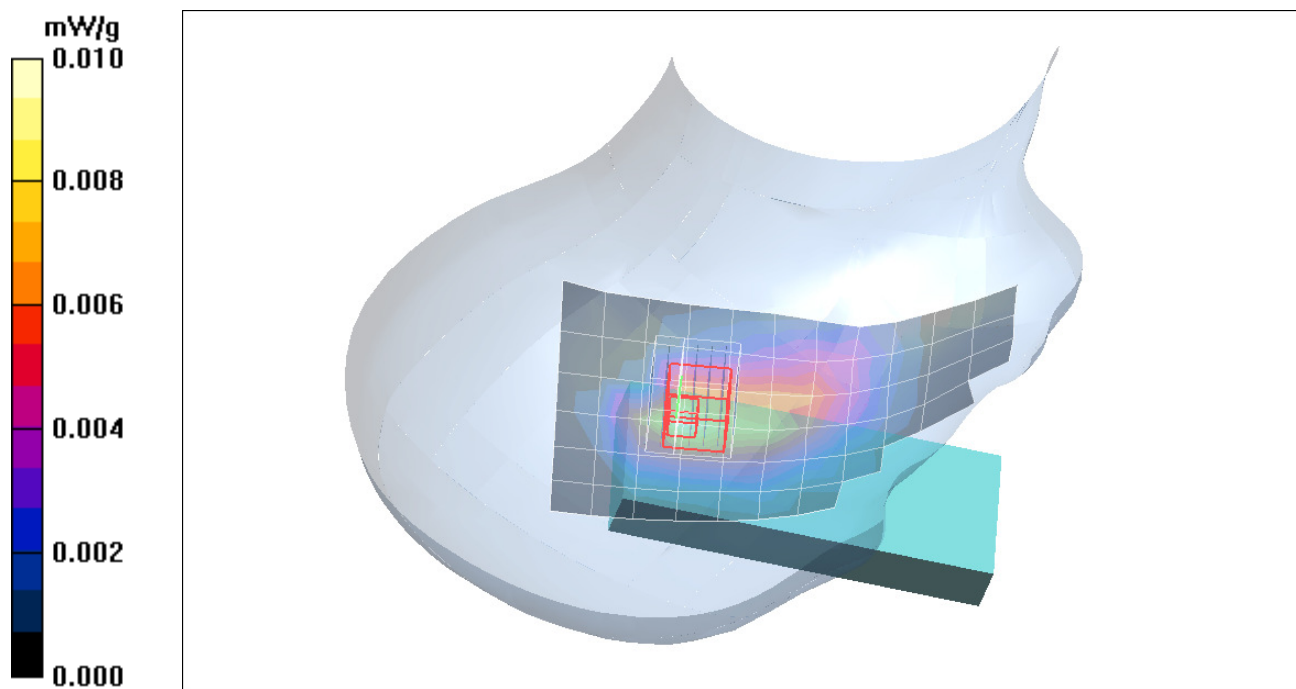


Fig. 8: SAR distribution for DECT US, channel 2, antenna 2, tilted position, right side of head

Test Laboratory: IMST GmbH, DASY Yellow (II); File Name:
[DH7 65H y dect fm front clip hs ant1 0mm.da4](#)

DUT: Ascom; Type: DH7; Serial: T26105R65H
Program Name: US DECT

Communication System: DECT US; Frequency: 1924.99 MHz; Duty Cycle: 1:24
 Medium parameters used: $f = 1925$ MHz; $\sigma = 1.59$ mho/m; $\epsilon_r = 51.6$; $\rho = 1000$ kg/m³
 Phantom section: Flat Section

DASY4 Configuration:

- Probe: ET3DV6R - SN1579; ConvF(4.63, 4.63, 4.63); Calibrated: 2/23/2016
- Sensor-Surface: 4mm (Mechanical Surface Detection)
- Electronics: DAE4 Sn631; Calibrated: 9/16/2015
- Phantom: SAM 1340; Type: QD 000 P40 CB; Serial: TP-1340
- Measurement SW: DASY4, V4.7 Build 80; Postprocessing SW: SEMCAD, V1.8 Build 186

Body/Area Scan (7x12x1): Measurement grid: dx=15mm, dy=15mm

Maximum value of SAR (measured) = 0.043 mW/g

Body/Zoom Scan (7x7x7)/Cube 0: Measurement grid: dx=5mm, dy=5mm, dz=5mm

Reference Value = 4.34 V/m; Power Drift = -0.042 dB

Peak SAR (extrapolated) = 0.084 W/kg

SAR(1 g) = 0.044 mW/g; SAR(10 g) = 0.022 mW/g

Maximum value of SAR (measured) = 0.050 mW/g

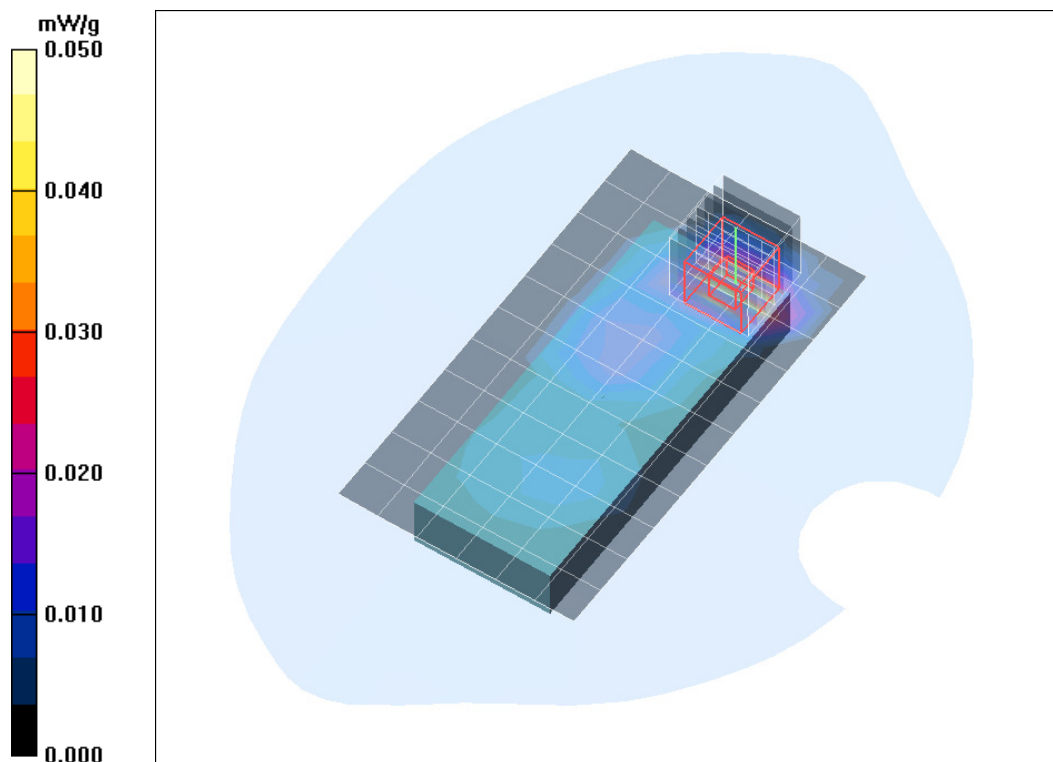


Fig. 9: SAR distribution for DECT US, channel 2, antenna 1, body worn configuration, front side of the device towards the phantom, HS and belt clip attached

Test Laboratory: IMST GmbH, DASY Yellow (II); File Name:
[DH7 65H y dect fm back clip hs ant1 0mm.da4](#)

DUT: Ascom; Type: DH7; Serial: T26105R65H
Program Name: US DECT

Communication System: DECT US; Frequency: 1924.99 MHz; Duty Cycle: 1:24
Medium parameters used: $f = 1925$ MHz; $\sigma = 1.59$ mho/m; $\epsilon_r = 51.6$; $\rho = 1000$ kg/m³
Phantom section: Flat Section

DASY4 Configuration:

- Probe: ET3DV6R - SN1579; ConvF(4.63, 4.63, 4.63); Calibrated: 2/23/2016
- Sensor-Surface: 4mm (Mechanical Surface Detection)
- Electronics: DAE4 Sn631; Calibrated: 9/16/2015
- Phantom: SAM 1340; Type: QD 000 P40 CB; Serial: TP-1340
- Measurement SW: DASY4, V4.7 Build 80; Postprocessing SW: SEMCAD, V1.8 Build 186

Body/Area Scan (7x12x1): Measurement grid: dx=15mm, dy=15mm

Maximum value of SAR (measured) = 0.009 mW/g

Body/Zoom Scan (7x7x7)/Cube 0: Measurement grid: dx=5mm, dy=5mm, dz=5mm

Reference Value = 2.41 V/m; Power Drift = -0.032 dB

Peak SAR (extrapolated) = 0.013 W/kg

SAR(1 g) = 0.00836 mW/g; SAR(10 g) = 0.0051 mW/g

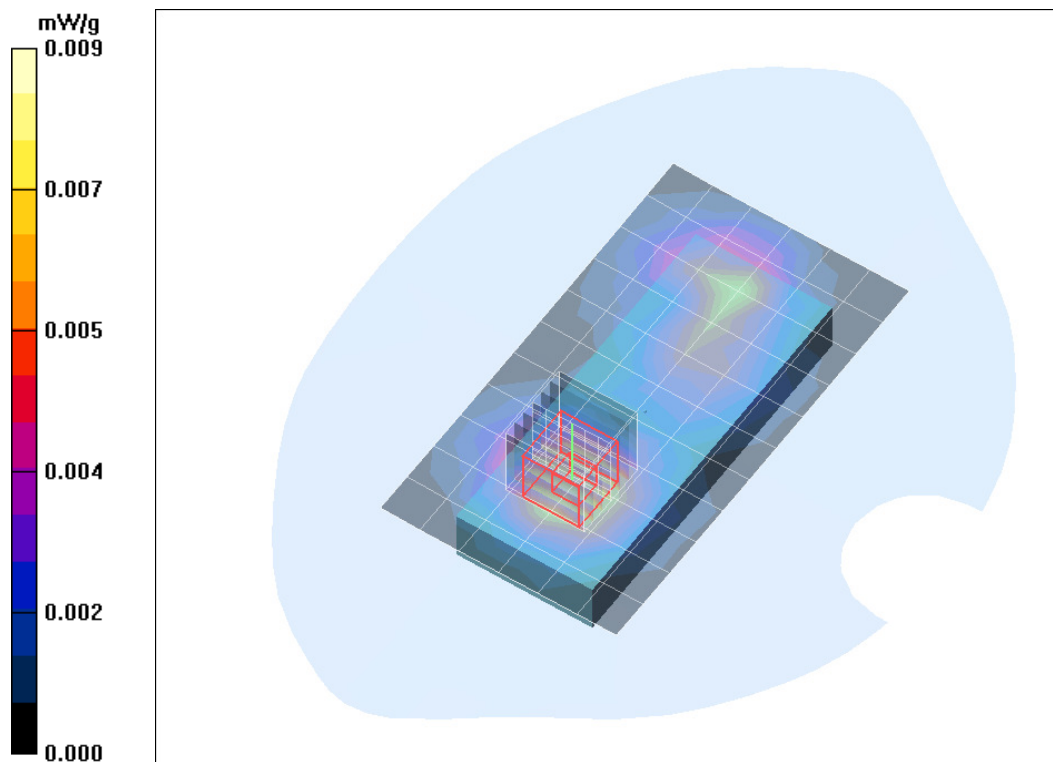


Fig. 10: SAR distribution for DECT US, channel 2, antenna 1, body worn configuration, back side of the device towards the phantom, HS and belt clip attached

Test Laboratory: IMST GmbH, DASY Yellow (II); File Name:
[DH7 65H y dect fm front clip hs ant2 0mm.da4](#)

DUT: Ascom; Type: DH7; Serial: T26105R65H
Program Name: US DECT

Communication System: DECT US; Frequency: 1924.99 MHz; Duty Cycle: 1:24
 Medium parameters used: $f = 1925$ MHz; $\sigma = 1.59$ mho/m; $\epsilon_r = 51.6$; $\rho = 1000$ kg/m³
 Phantom section: Flat Section

DASY4 Configuration:

- Probe: ET3DV6R - SN1579; ConvF(4.63, 4.63, 4.63); Calibrated: 2/23/2016
- Sensor-Surface: 4mm (Mechanical Surface Detection)
- Electronics: DAE4 Sn631; Calibrated: 9/16/2015
- Phantom: SAM 1340; Type: QD 000 P40 CB; Serial: TP-1340
- Measurement SW: DASY4, V4.7 Build 80; Postprocessing SW: SEMCAD, V1.8 Build 186

Body/Area Scan (7x12x1): Measurement grid: dx=15mm, dy=15mm

Maximum value of SAR (measured) = 0.059 mW/g

Body/Zoom Scan (7x7x7)/Cube 0: Measurement grid: dx=5mm, dy=5mm, dz=5mm

Reference Value = 2.04 V/m; Power Drift = 0.030 dB

Peak SAR (extrapolated) = 0.123 W/kg

SAR(1 g) = 0.063 mW/g; SAR(10 g) = 0.030 mW/g

Maximum value of SAR (measured) = 0.074 mW/g

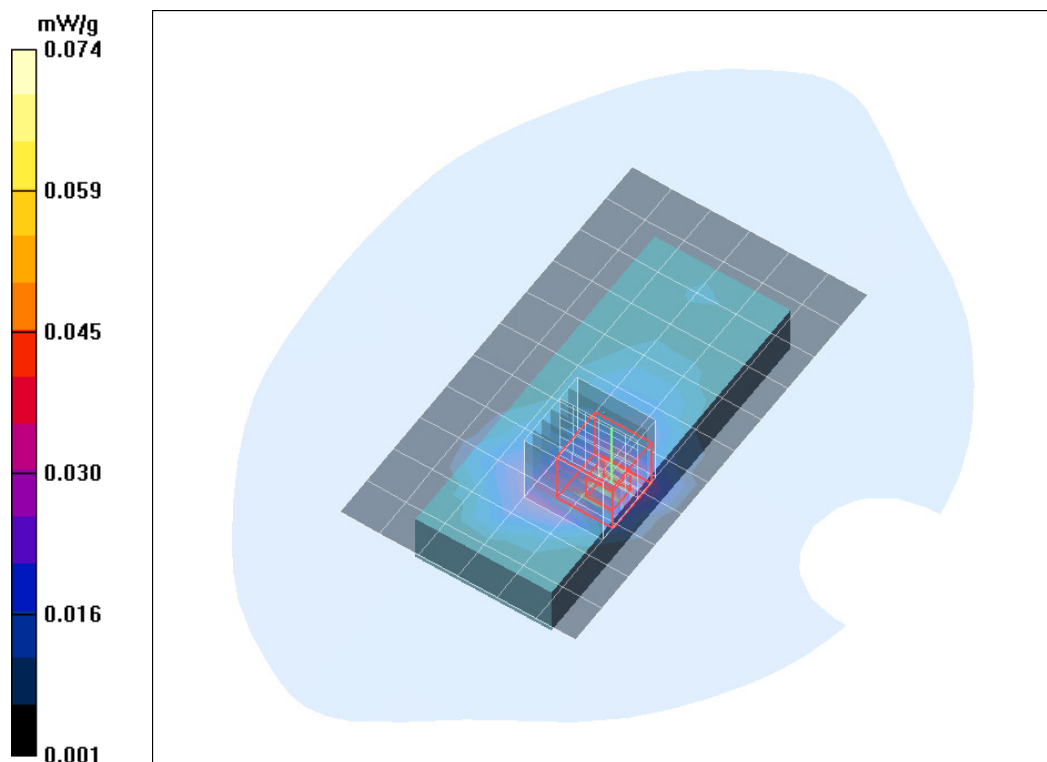


Fig. 11: SAR distribution for DECT US, channel 2, antenna 2, body worn configuration, front side of the device towards the phantom, HS and belt clip attached

Test Laboratory: IMST GmbH, DASY Yellow (II); File Name:
[DH7 65H y dect fm back clip hs ant2 0mm.da4](#)

DUT: Ascom; Type: DH7; Serial: T26105R65H
Program Name: US DECT

Communication System: DECT US; Frequency: 1924.99 MHz; Duty Cycle: 1:24
Medium parameters used: $f = 1925$ MHz; $\sigma = 1.59$ mho/m; $\epsilon_r = 51.6$; $\rho = 1000$ kg/m³
Phantom section: Flat Section

DASY4 Configuration:

- Probe: ET3DV6R - SN1579; ConvF(4.63, 4.63, 4.63); Calibrated: 2/23/2016
- Sensor-Surface: 4mm (Mechanical Surface Detection)
- Electronics: DAE4 Sn631; Calibrated: 9/16/2015
- Phantom: SAM 1340; Type: QD 000 P40 CB; Serial: TP-1340
- Measurement SW: DASY4, V4.7 Build 80; Postprocessing SW: SEMCAD, V1.8 Build 186

Body/Area Scan (7x12x1): Measurement grid: dx=15mm, dy=15mm

Maximum value of SAR (measured) = 0.023 mW/g

Body/Zoom Scan (7x7x7)/Cube 0: Measurement grid: dx=5mm, dy=5mm, dz=5mm

Reference Value = 1.18 V/m; Power Drift = 0.130 dB

Peak SAR (extrapolated) = 0.055 W/kg

SAR(1 g) = 0.025 mW/g; SAR(10 g) = 0.013 mW/g

Maximum value of SAR (measured) = 0.030 mW/g

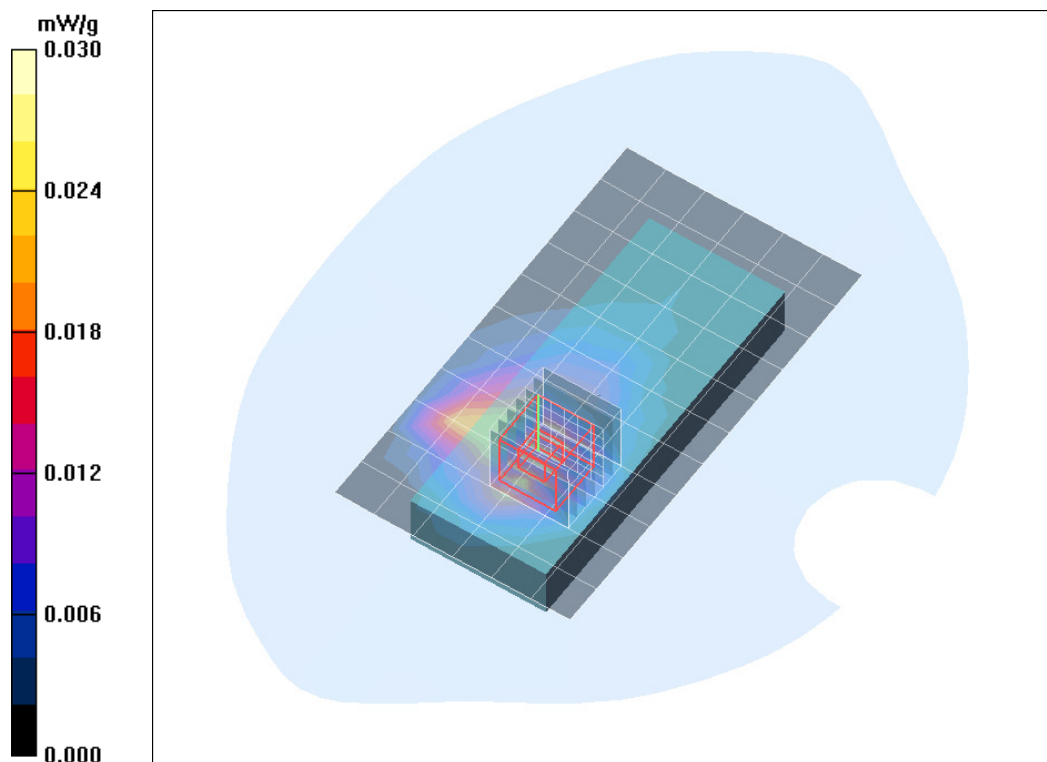


Fig. 12: SAR distribution for DECT US, channel 2, antenna 2, body worn configuration, back side of the device towards the phantom, HS and belt clip attached