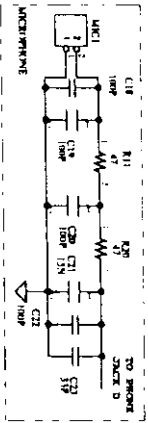
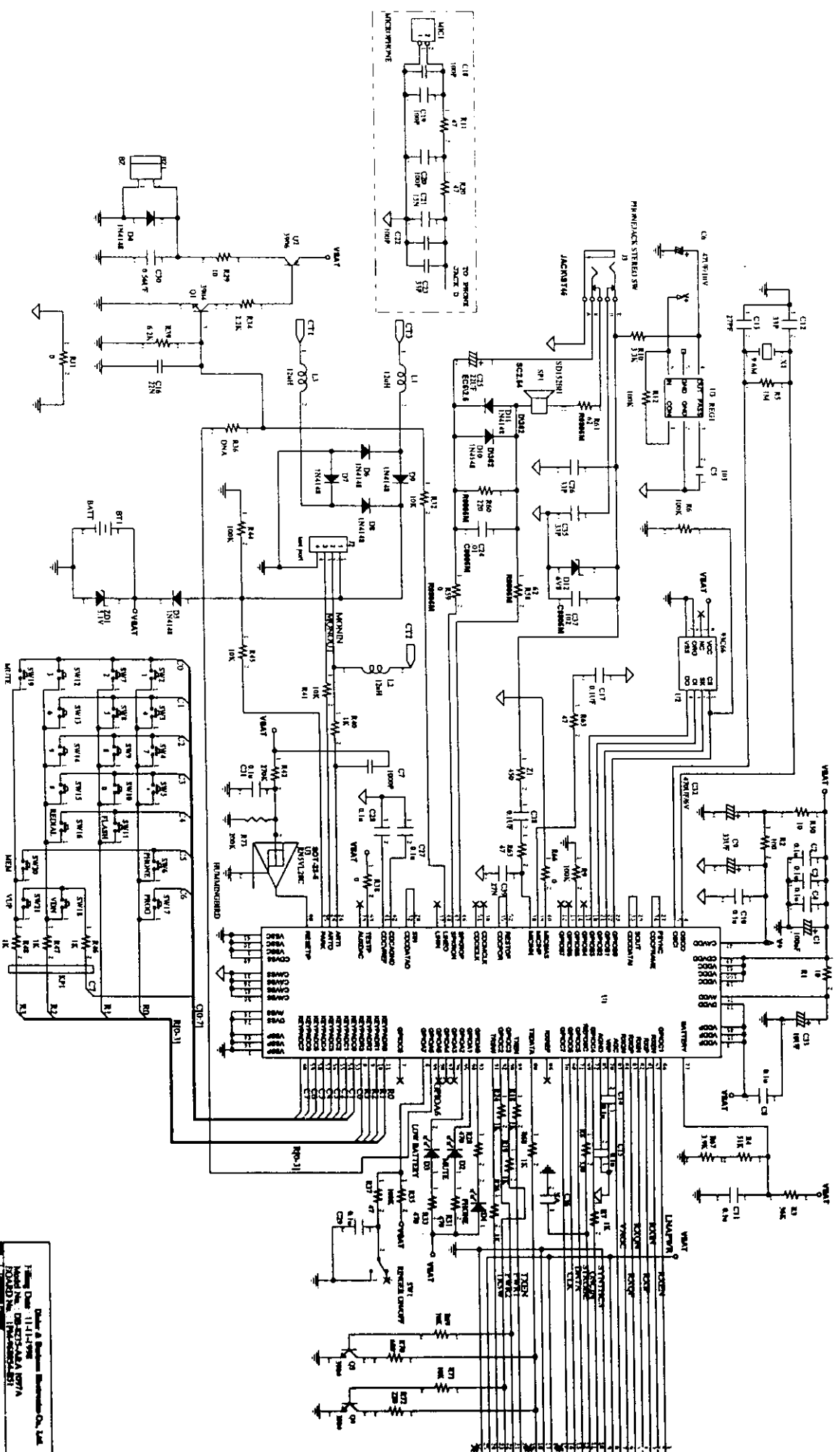
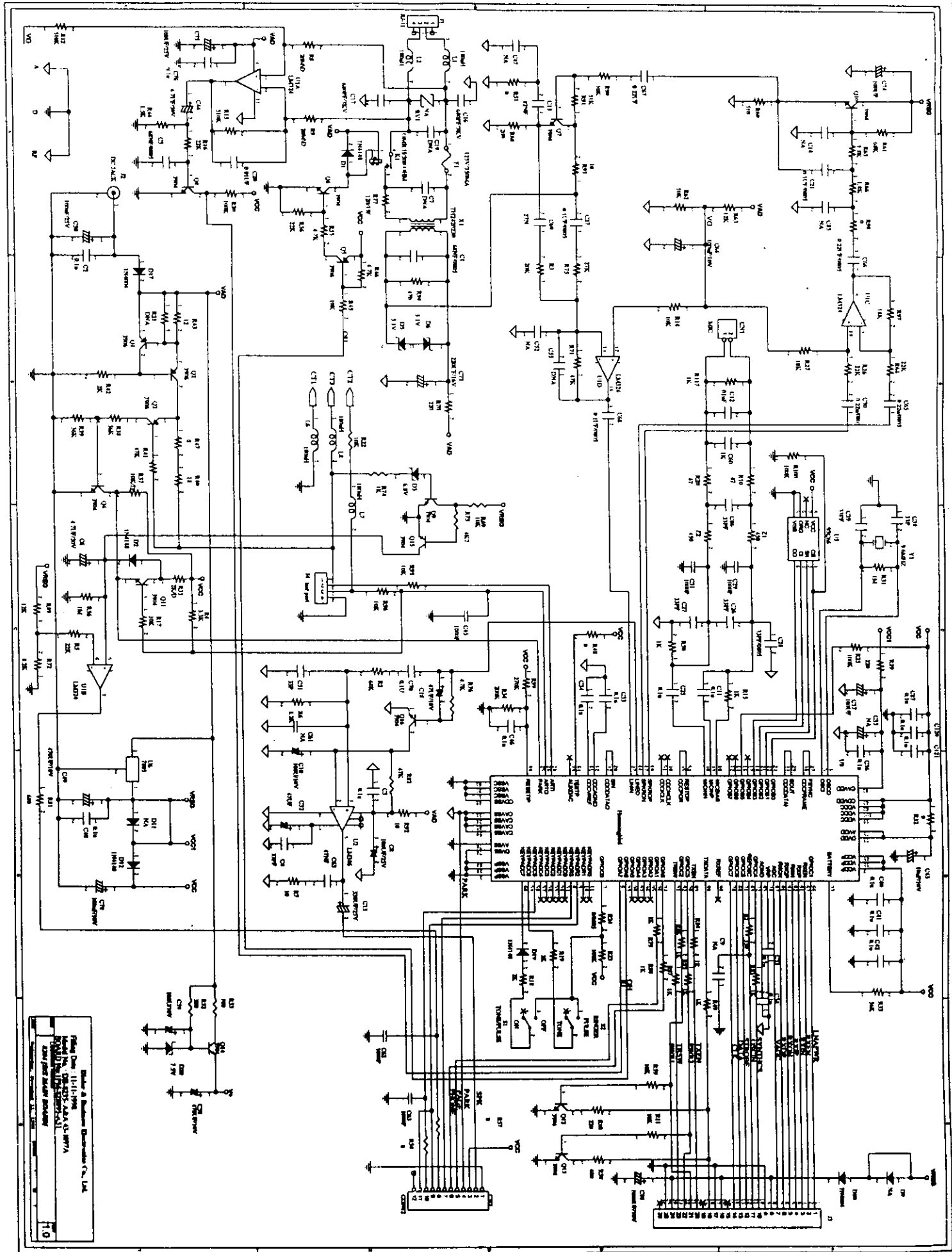


***EXHIBIT D***

***Circuit Diagram***

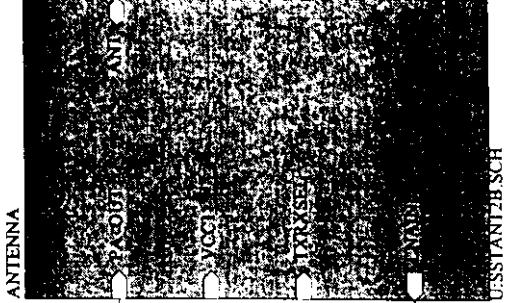
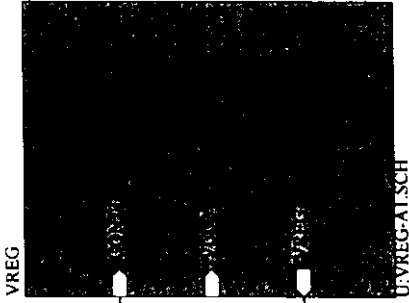
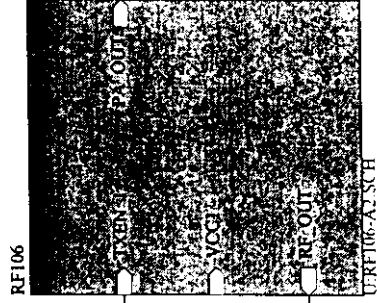
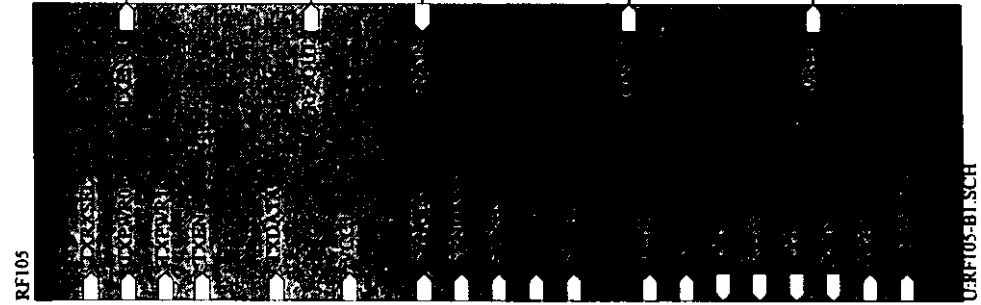


Data & Systems International, Ltd.  
 11 King Lane, 11-11/17/76  
 Hants, UK. DN8 5JY-AAA 097/A  
 DRAWN BY: J. P. H. (1976) 0001/01  
 2800 097/A 0001 0001/01



Radio Shack & Electronics Distributors Co., Inc.  
 Radio Shack, 11111 Irvine Blvd., Irvine, CA 92618  
 Radio Shack, 11111 Irvine Blvd., Irvine, CA 92618  
 Radio Shack, 11111 Irvine Blvd., Irvine, CA 92618

CON1  
 26  
 25  
 24 VCCI  
 23 TXRNSL  
 22 EXPWR0  
 21 EXPWR1  
 20 TXEN  
 19  
 18 TXDATA  
 17  
 16 VCC3  
 15  
 14 SYNCLK  
 13 SYNDATA  
 12 SYNSTB  
 11 REFOSC  
 10 SYSEN  
 9  
 8 VCC2  
 7 AGC  
 6 RXQP  
 5 RXQN  
 4 RXIP  
 3 RXIN  
 2 RXEN  
 1 LNAATTN  
 CON26

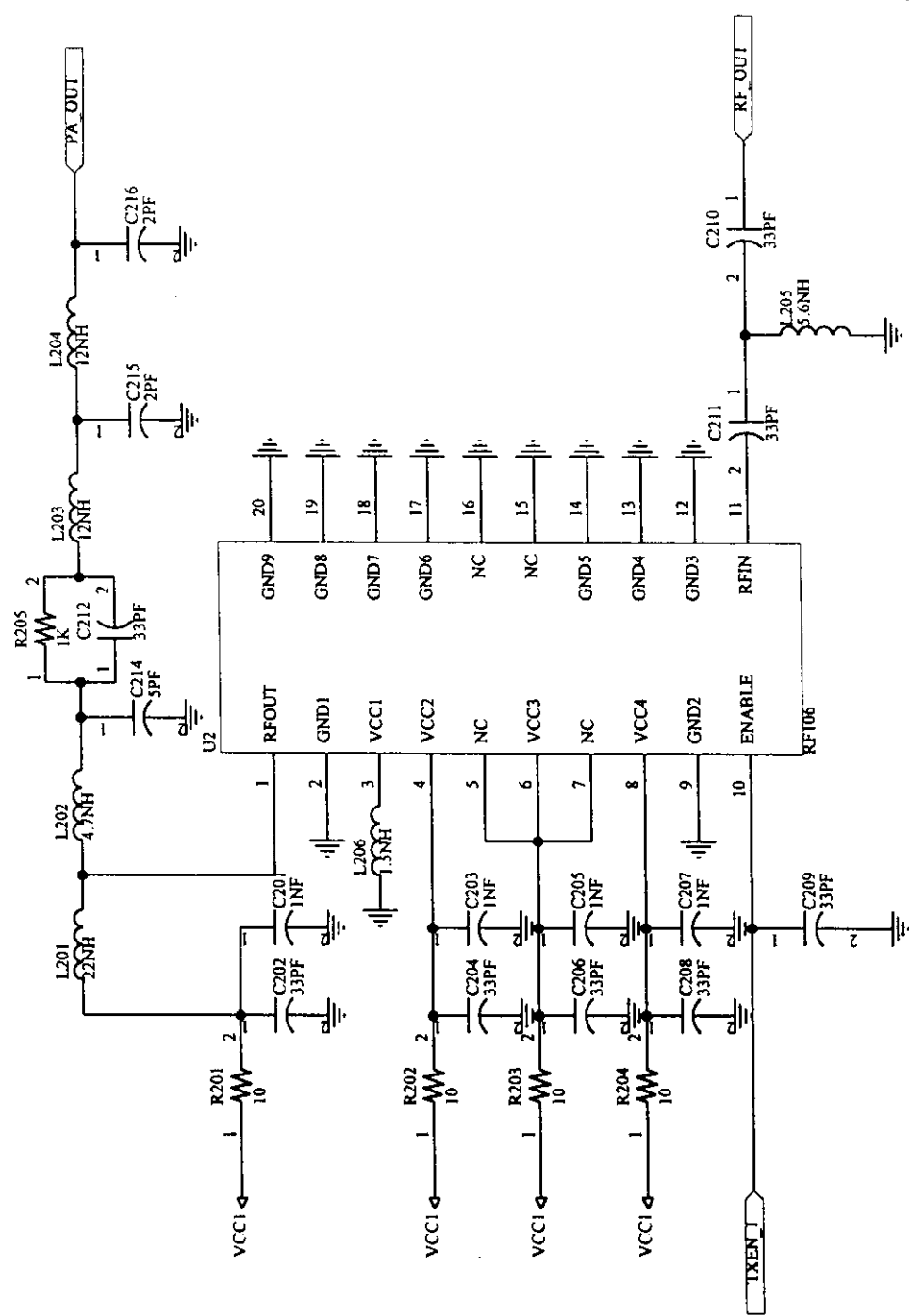


NOTES:

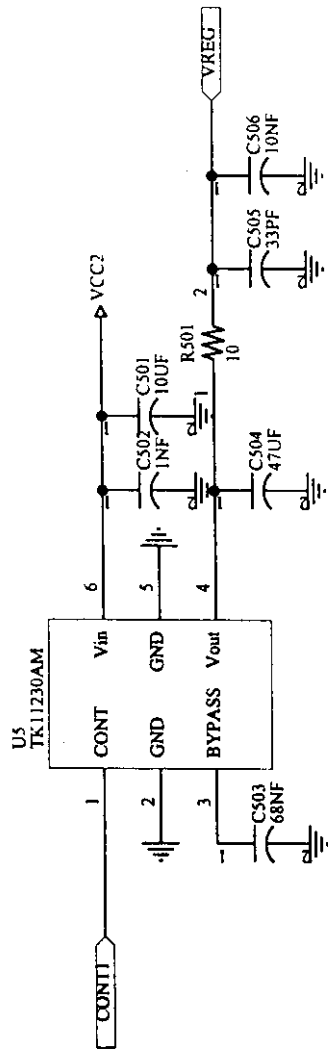
1. FR4 PCB ER=4.5, H=1.0mm, 1/2 oz COPPER
2. CONTROLLED IMPEDANCE 50 ohms +/- 20%

Title SST 900MHz RF MODULE BASE UNIT

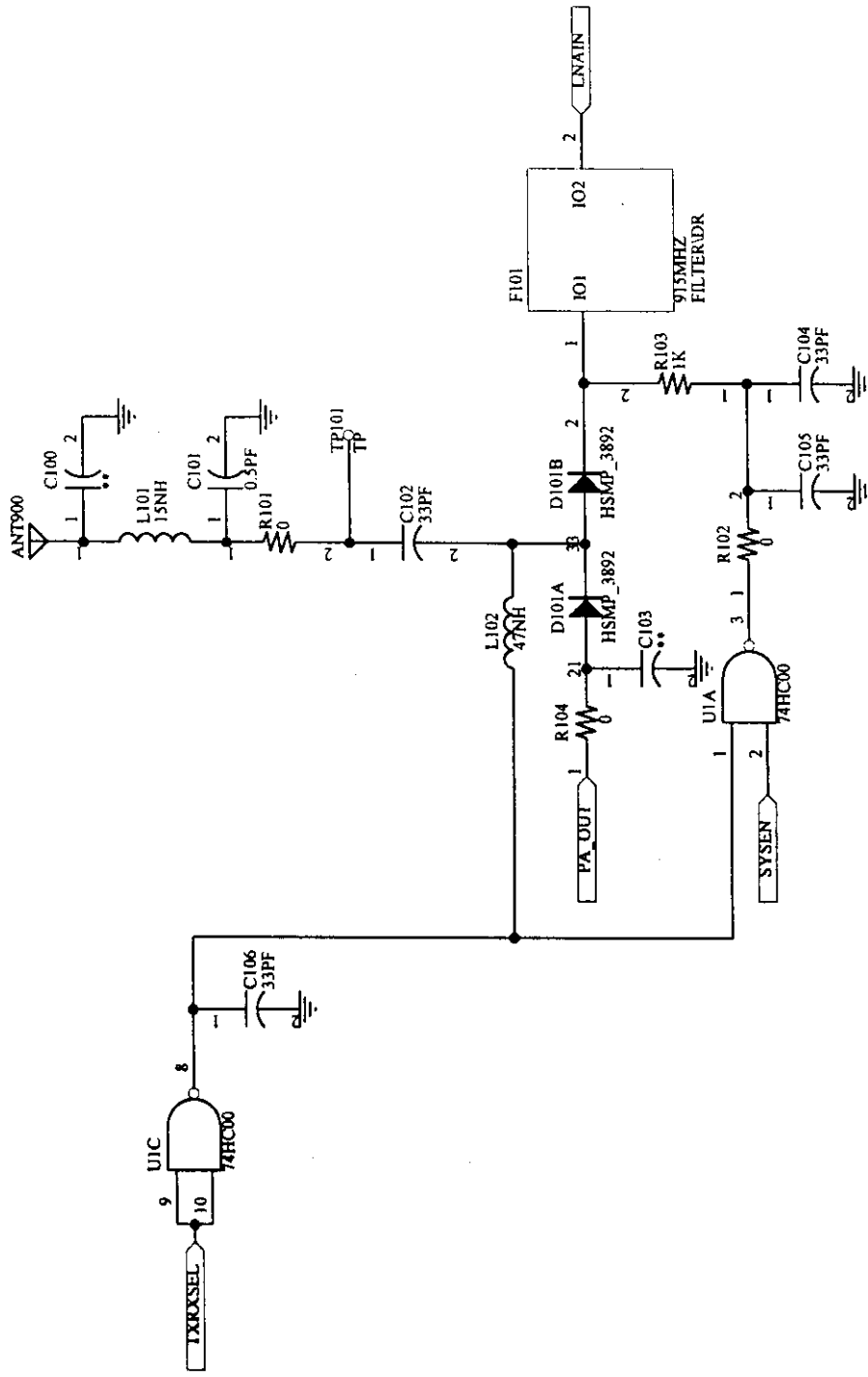
Size	Number	Revision
A4		
Date:	5-AUG-1998	Sheet of
File:	C:\CLIENTS\CH3\SS\TST\9002B.PPR	Drawn By:



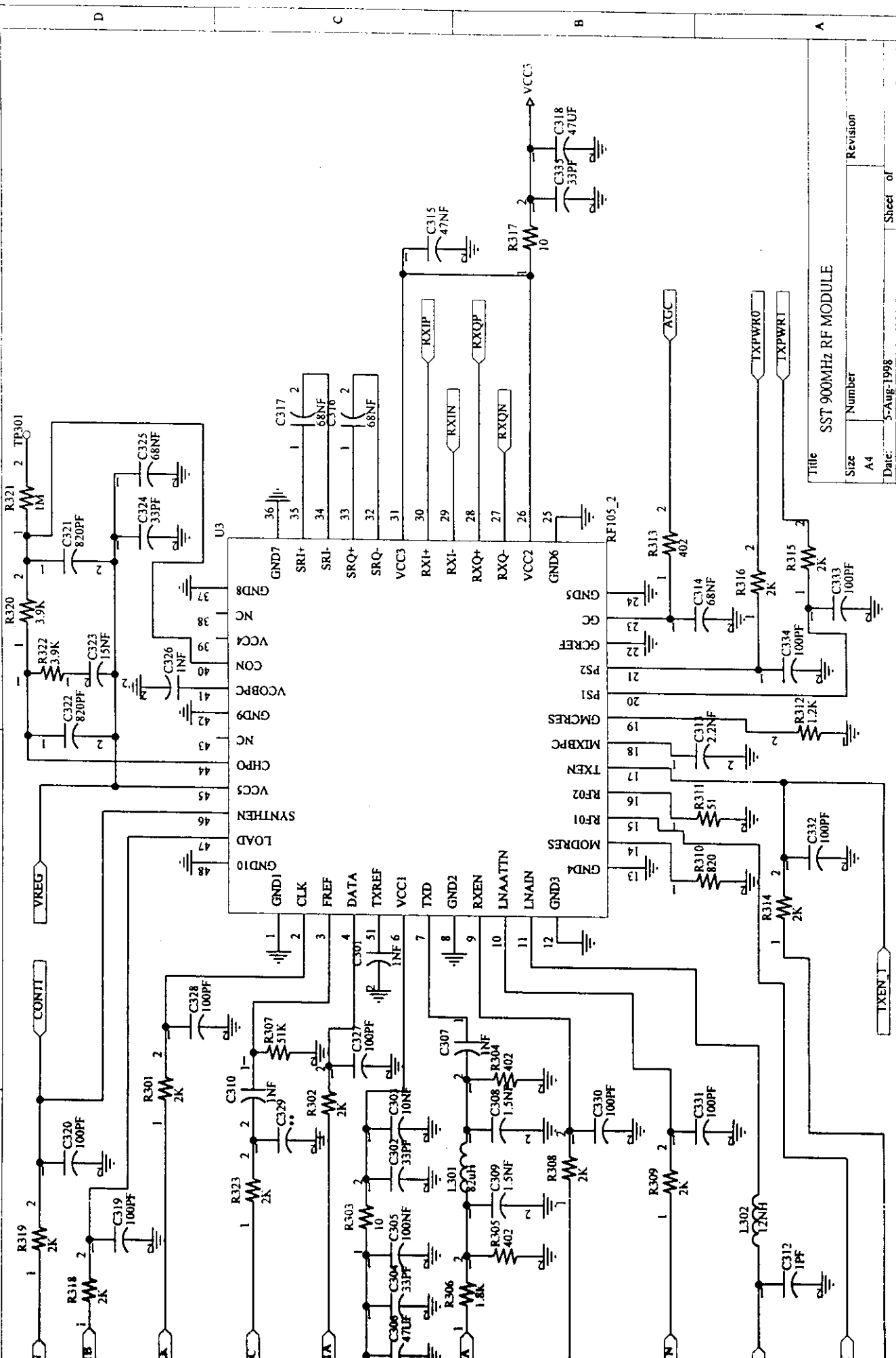
Title		SST 900MHz RF MODULE	
Size	Number	Revision	
A4			
Date:	5-Aug-1998	Sheet of	
File:	C:\CLIENT\SCHRSS\RF06-A2.S	Drawn BY:	



Title		SST 900MHz RF MODULE	
Size	Number	Revision	
A4			
Date:	5-Aug-1998	Sheet of	4
File:	C:\CLIENT\SCH\SSTVREG-AT.SCH	Drawn By:	



Title		SST 900MHz RF MODULE BASE UNIT	
Size	Number	Revision	
A4			
Date:	5-Aug-1998	Sheet of	
File:	C:\CLIENTS\CHASSIS\SSSTANT17B\SSM41m By	Drawn By	



Title		SSS 900MHz RF MODULE	
Size	Number	Revision	
A4			
Date:	5-Aug-1998	Sheet of	
File:	C:\CLIENT\SCH\ISS\TRF105-B1	SC	Drawn By: