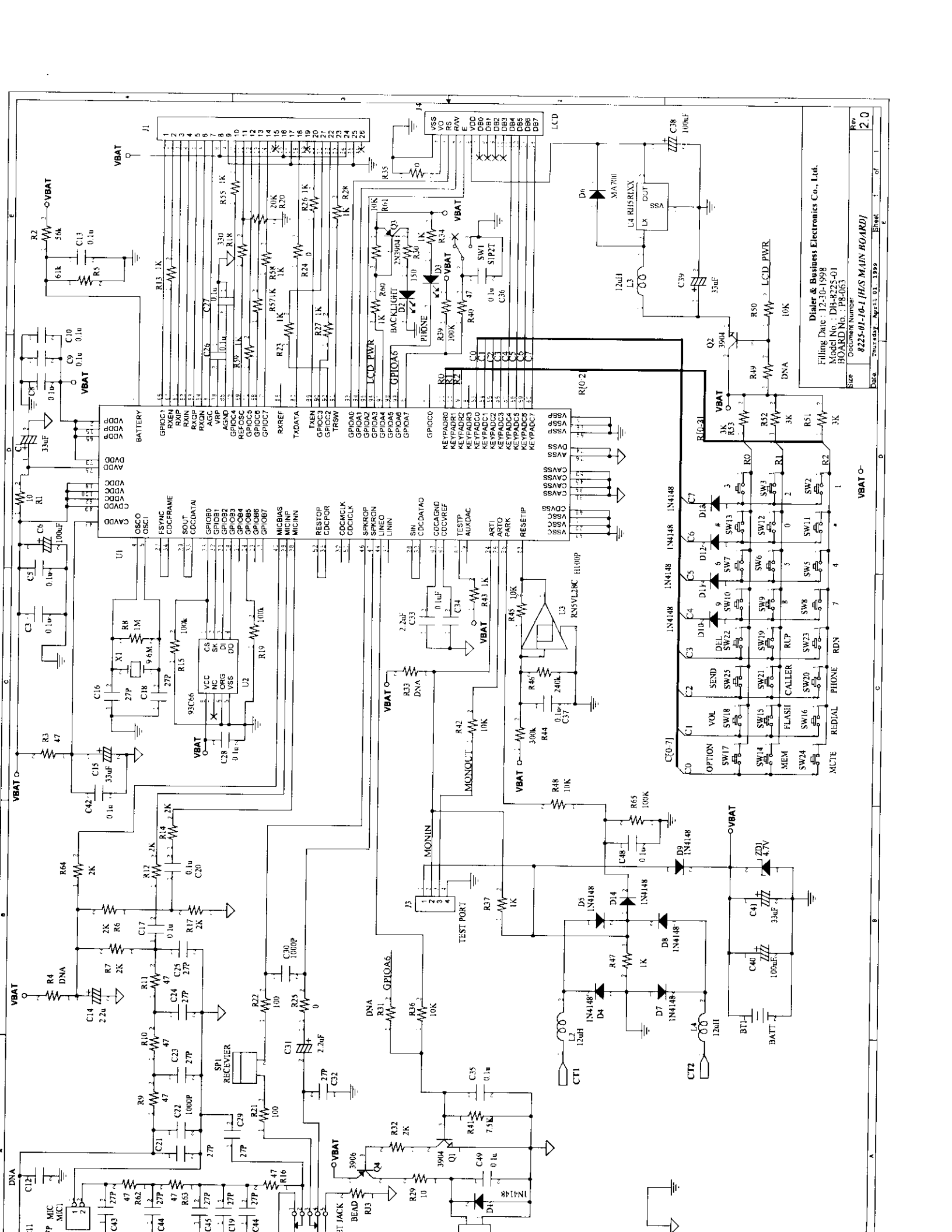
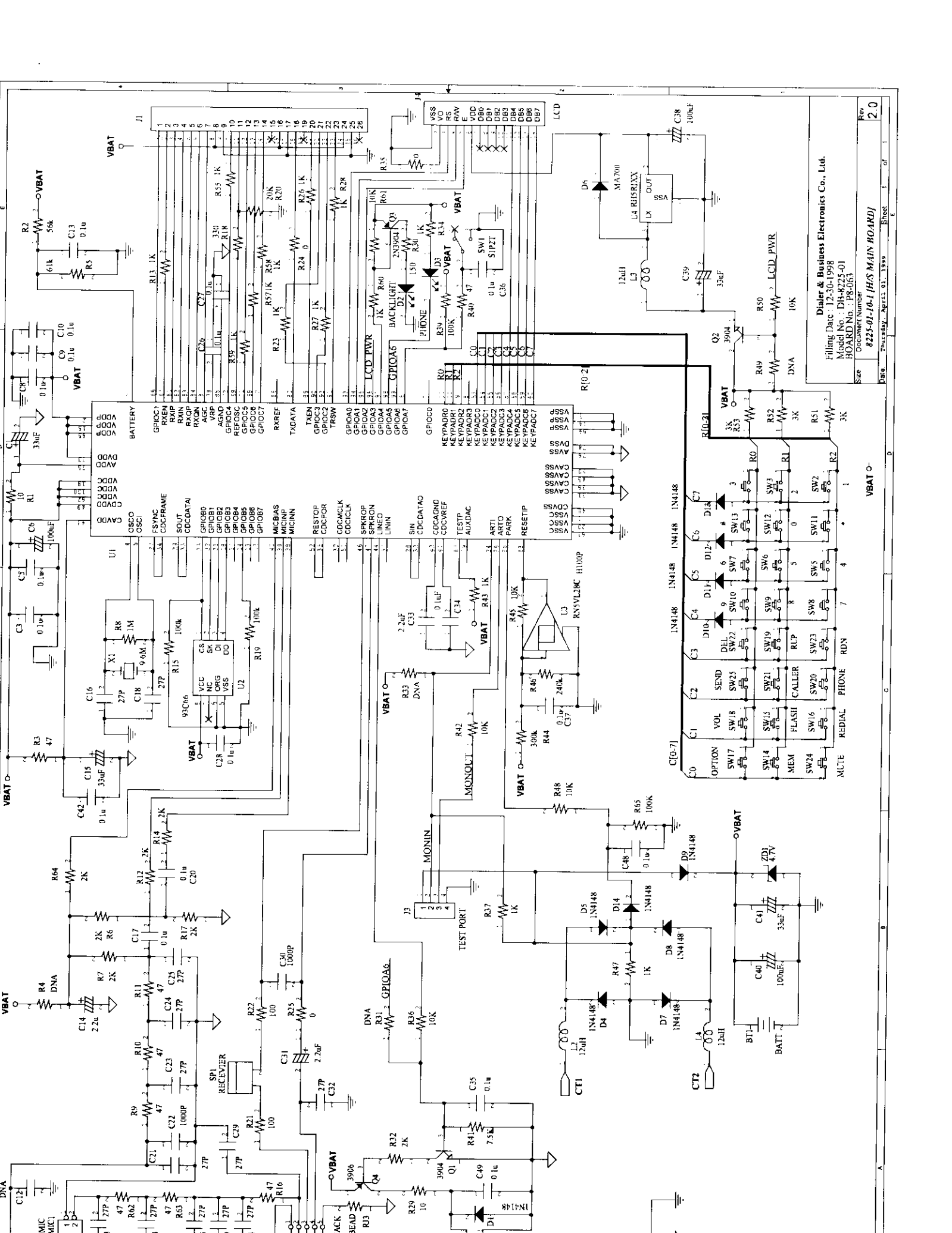


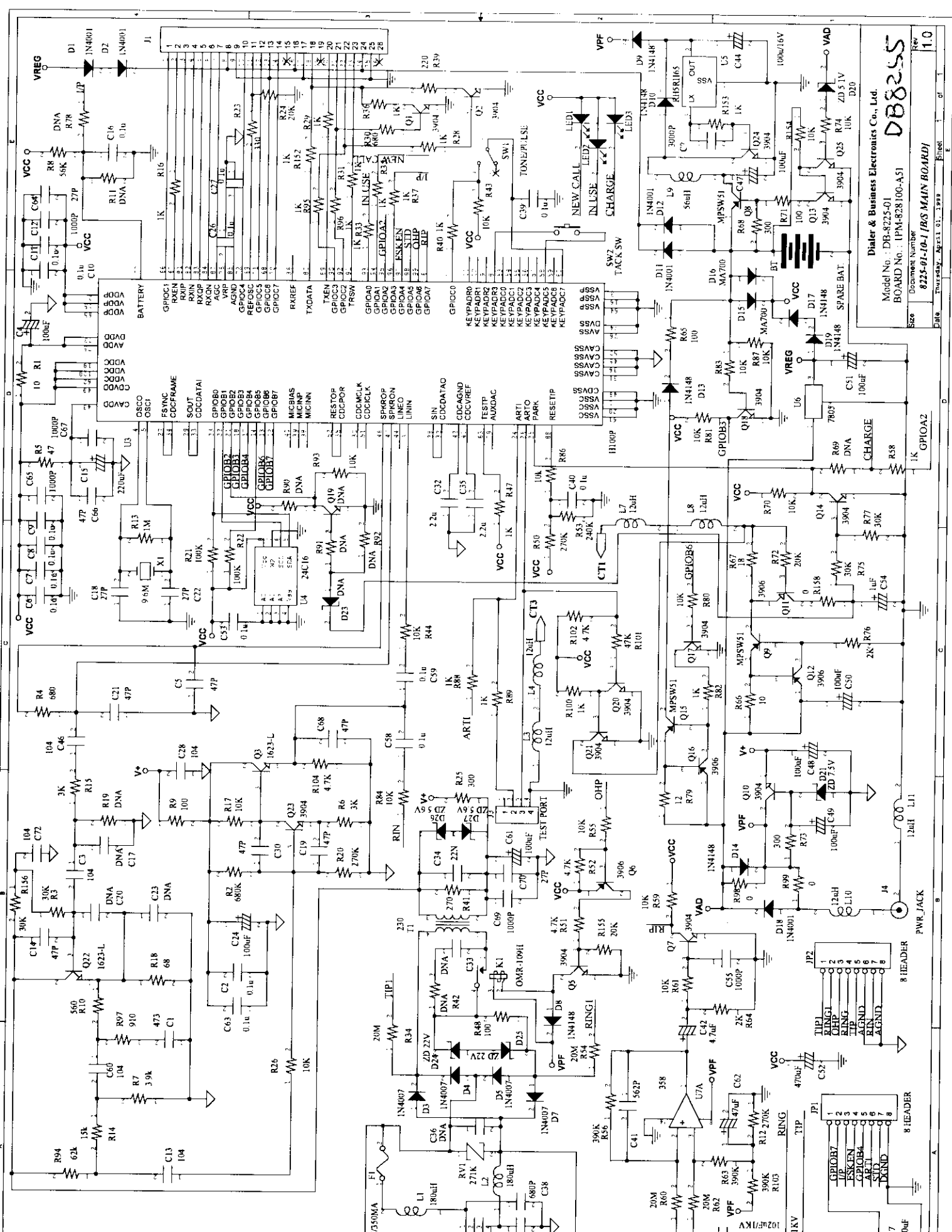
EXHIBIT D

Circuit Diagram



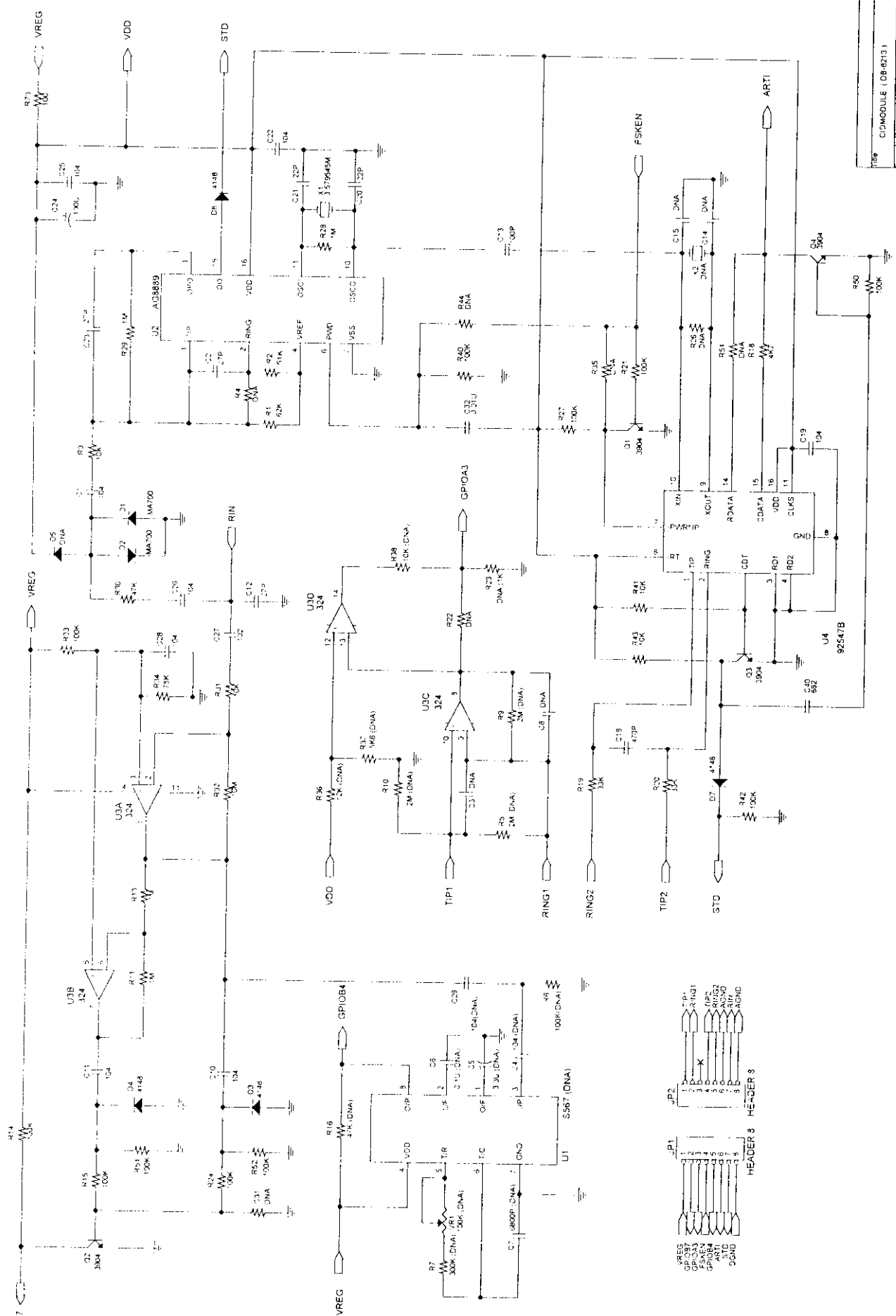
Diater & Business Electronics Co., Ltd.
 Filling Date : 12-30-1998
 Model No. : DR-8225-01
 BOARD No. : PB-063
 Document Number
 Size : 8225-01-10-1 (H/S MAIN BOARD)
 Date : Thursday, April 01, 1999
 Sheet : 1 of 2
 Rev : 2.0



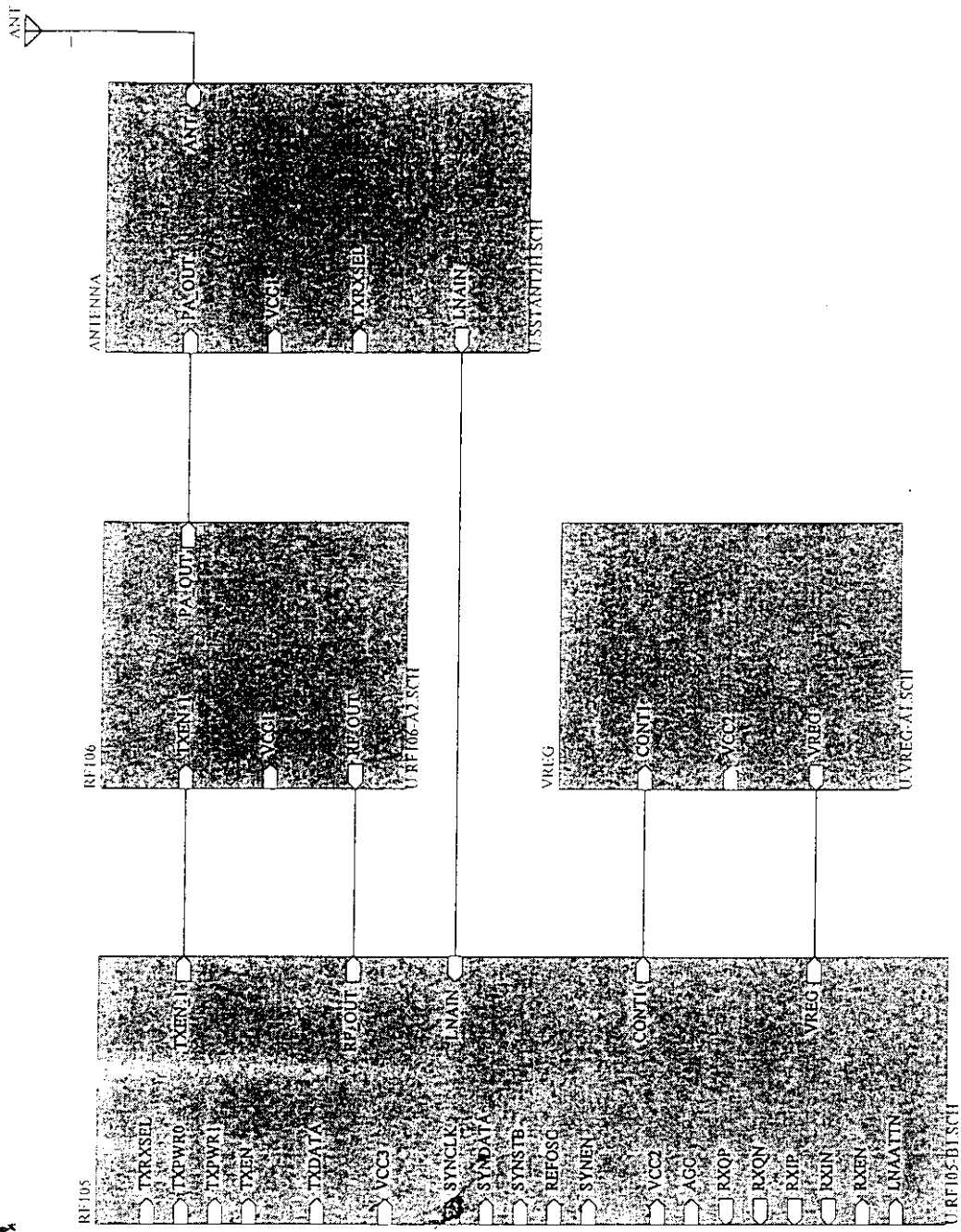
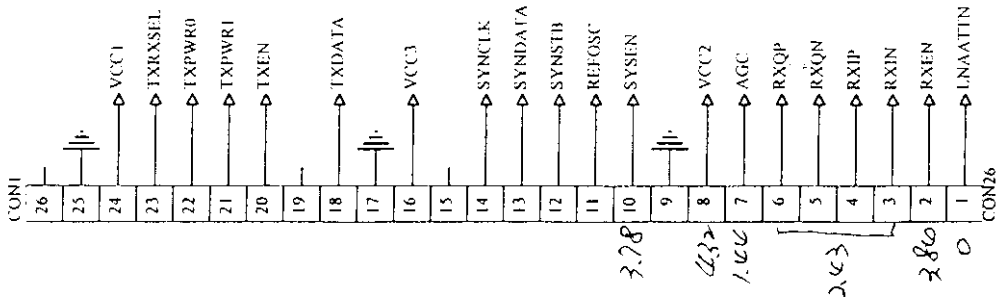


Diater & Business Electronics Co., Ltd.
 Model No.: DB-8225-01
 BOARD No.: IPM-828 100-A-51
 Document Number: DB8225
 Size: 8225-01-10-1 / BS MAIN BOARD /
 Date: Tuesday, April 01, 1998
 Rev: 1.0

DBTEL PROPRIETARY

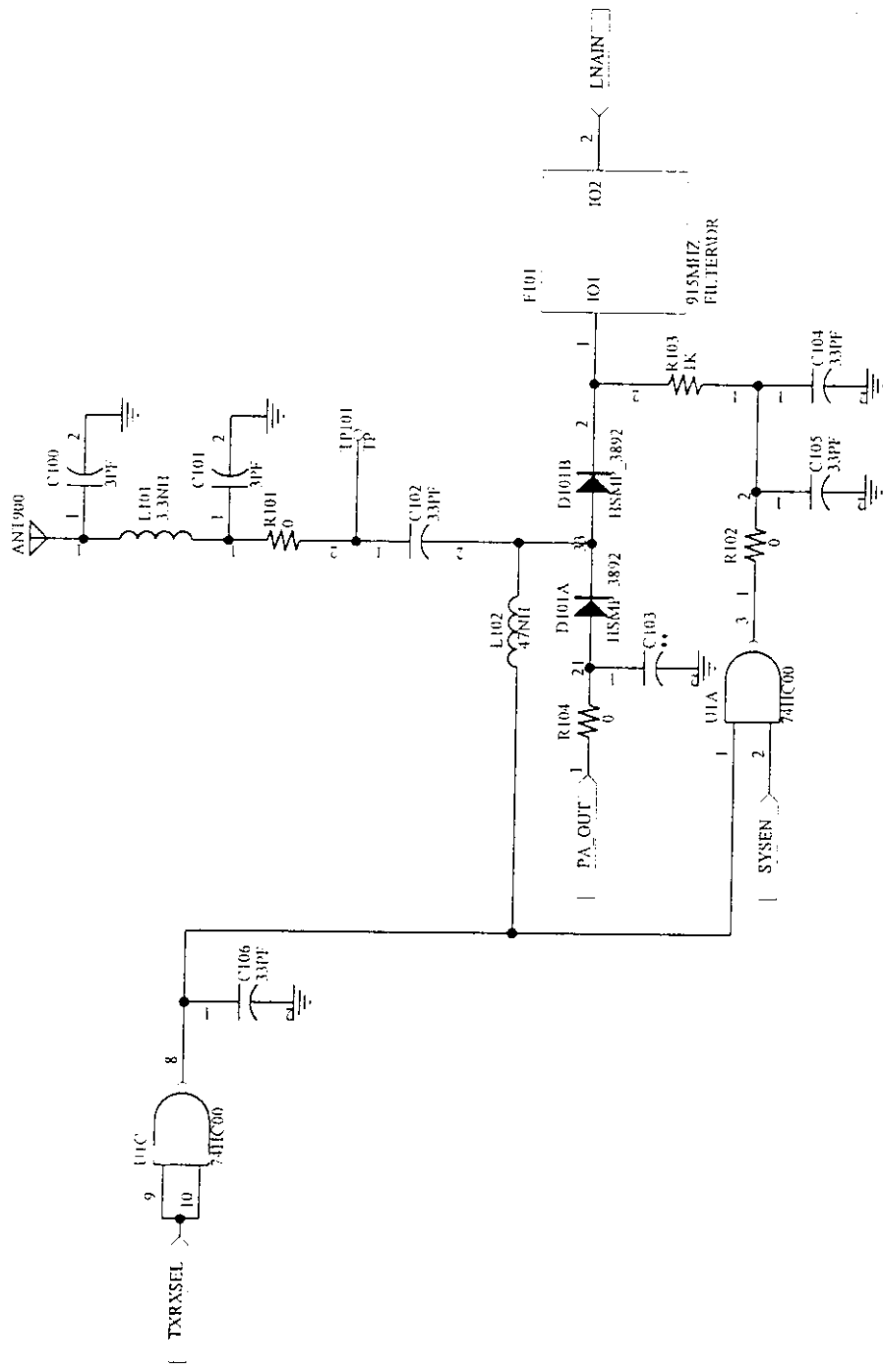


Title	CIDMODULE (08-0213)
Size	Document Number
Date	08/21/07

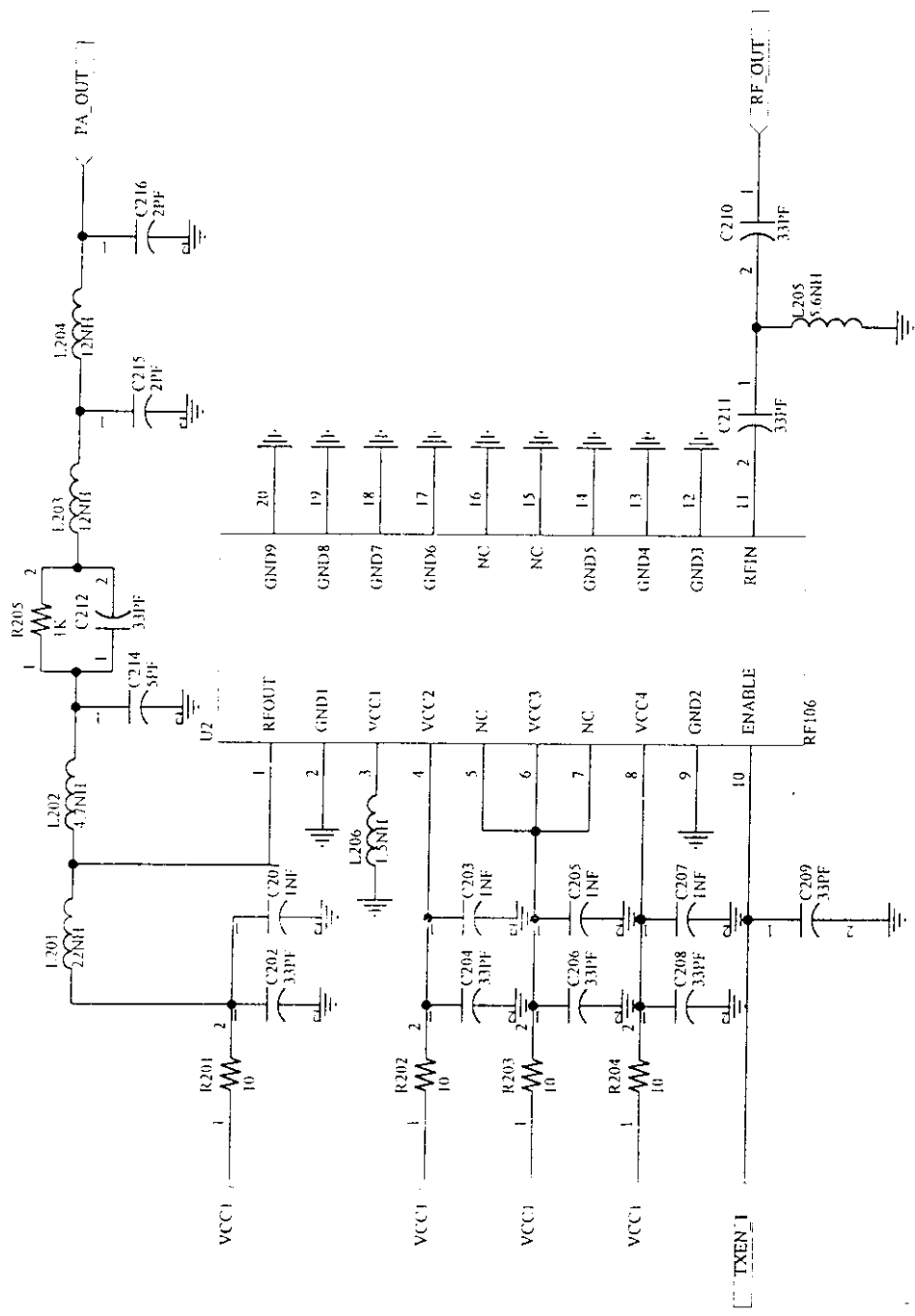


Title: SST 900MHz RF Module Handset Unit
 Size: A4
 Date: 1-Sep-1998
 File: C:\TMP\RF_TOOLS\SST900M\SST900M.DWG
 Number: 1
 Revision: 1
 Sheet of: 4
 By:

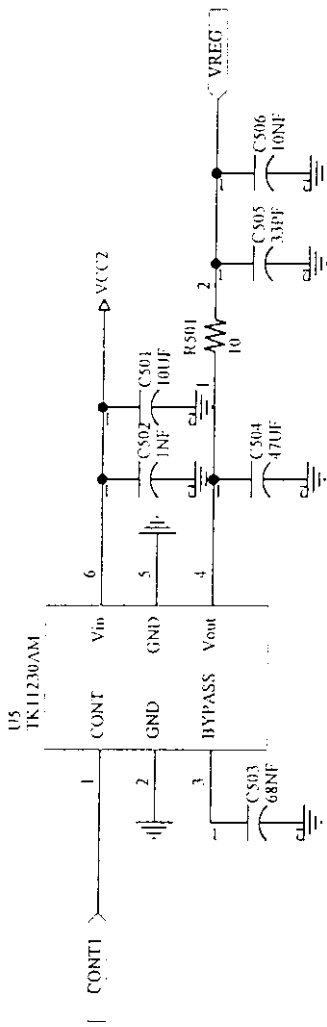
NOTES:
 1. FR4 PCB ER=4.5, H=1.6mm, 1/2 oz COPPER
 2. CONTROLLED IMPEDANCE: 50 ohms +/- 20%



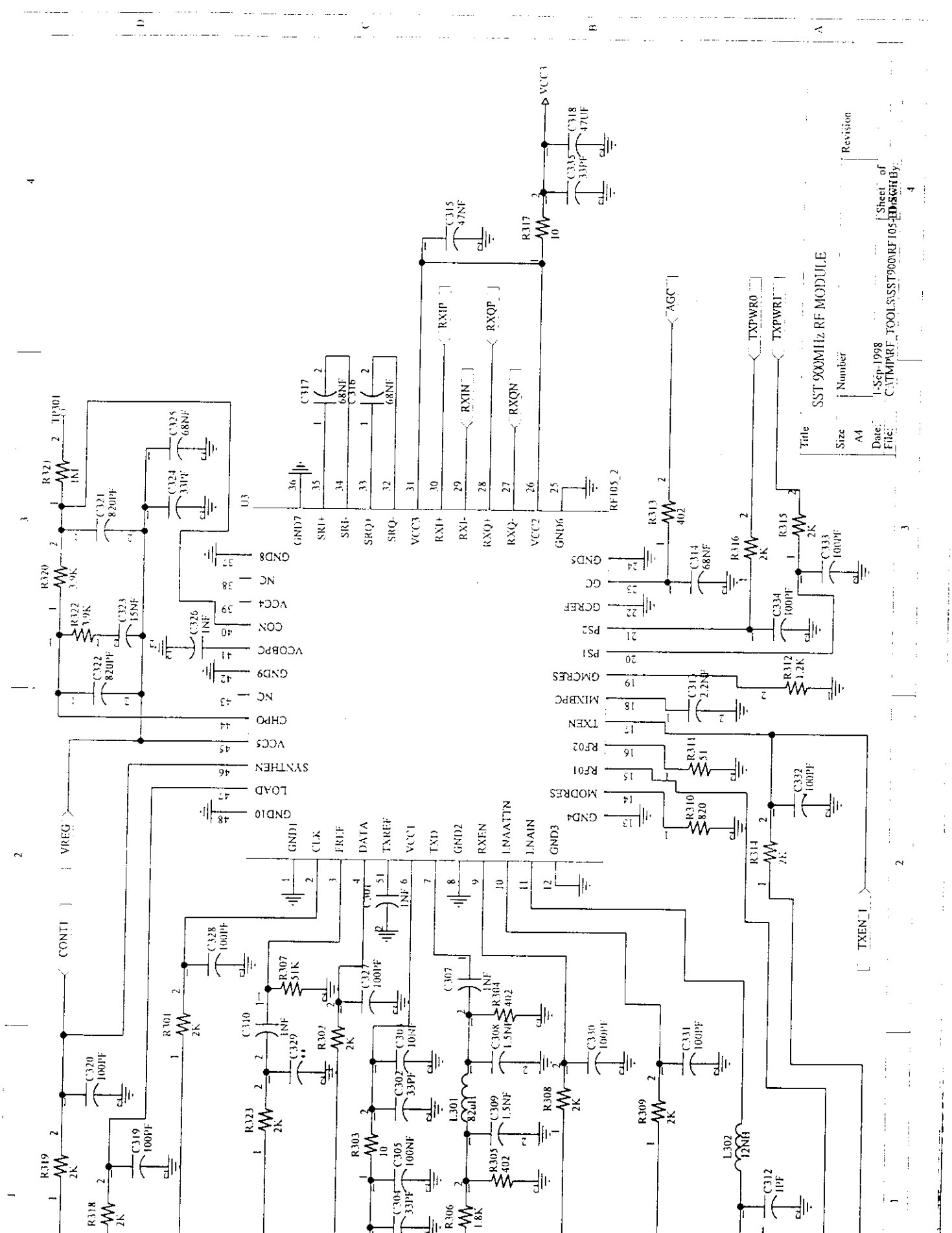
Title	SST 900MHz RF MODULE HANDSET UNIT
Size	A4
Number	Revision
Date	1-Sep-1998
File	C:\MMPRF_TOOLS\SST900\SSTAN.DR466
	Sheet of 4
	Drawn By: [Name]



Title	SST 900MHz RF MODULE
Size	A4
Number	1
Date	1-Sep-1998
File	CAT8PARF_TOOL\SST900RF106.A4\$GDBY
Revision	4

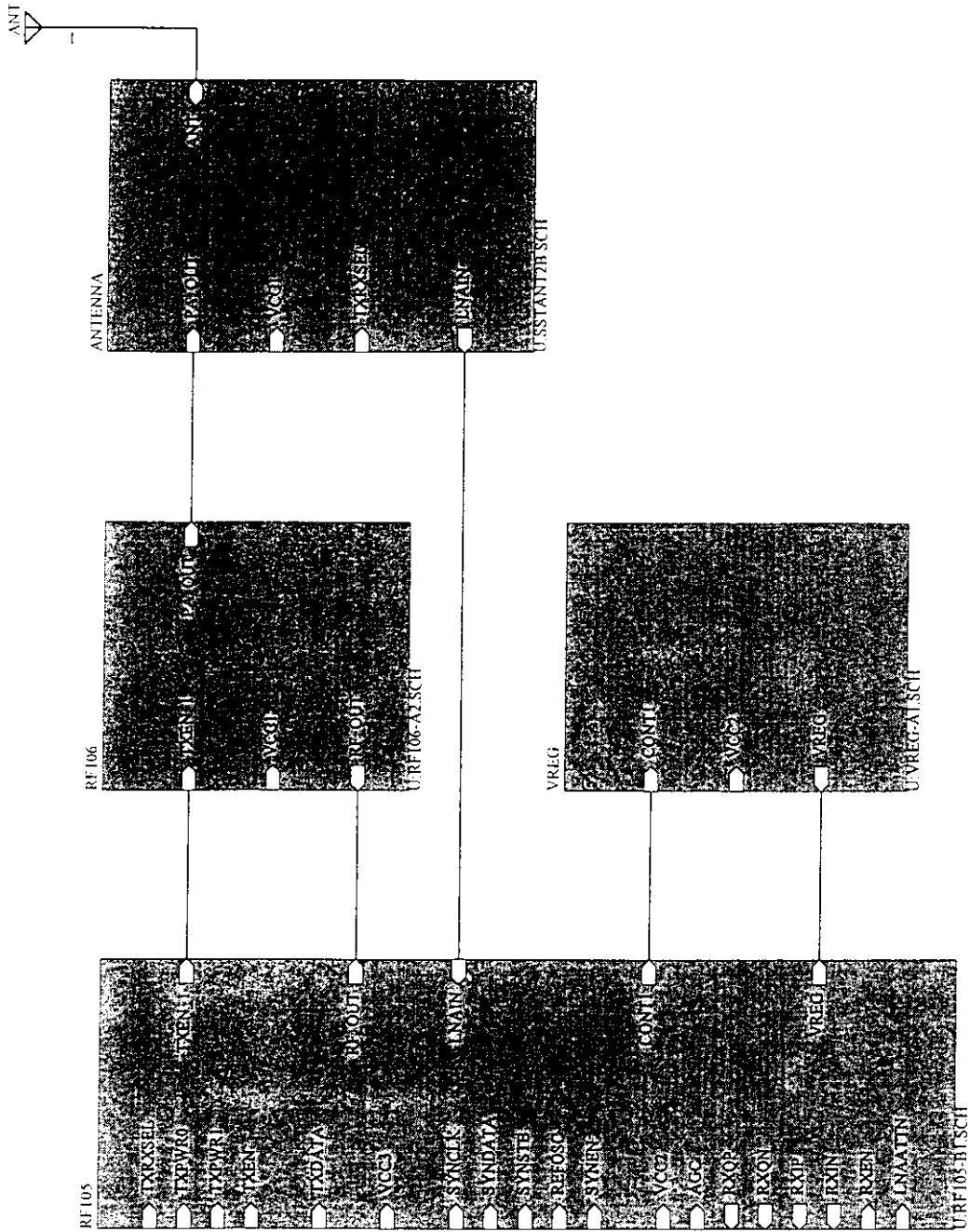
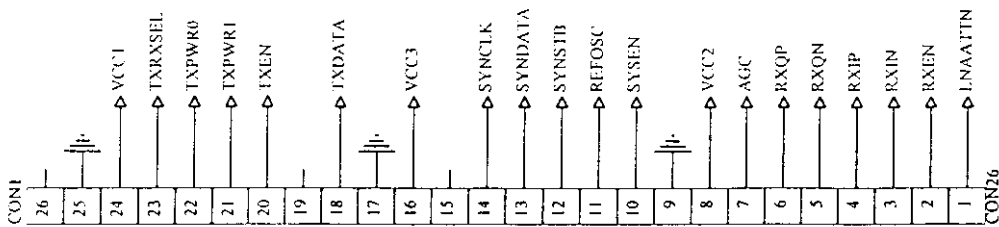


Title	SST 900MHz RF MODULE
Size	Number
A4	Revision
Date	1-Sep-1998
File	C:\M\RF_TOOLS\SST900VREG-AD186NBy
	Sheet of
	4



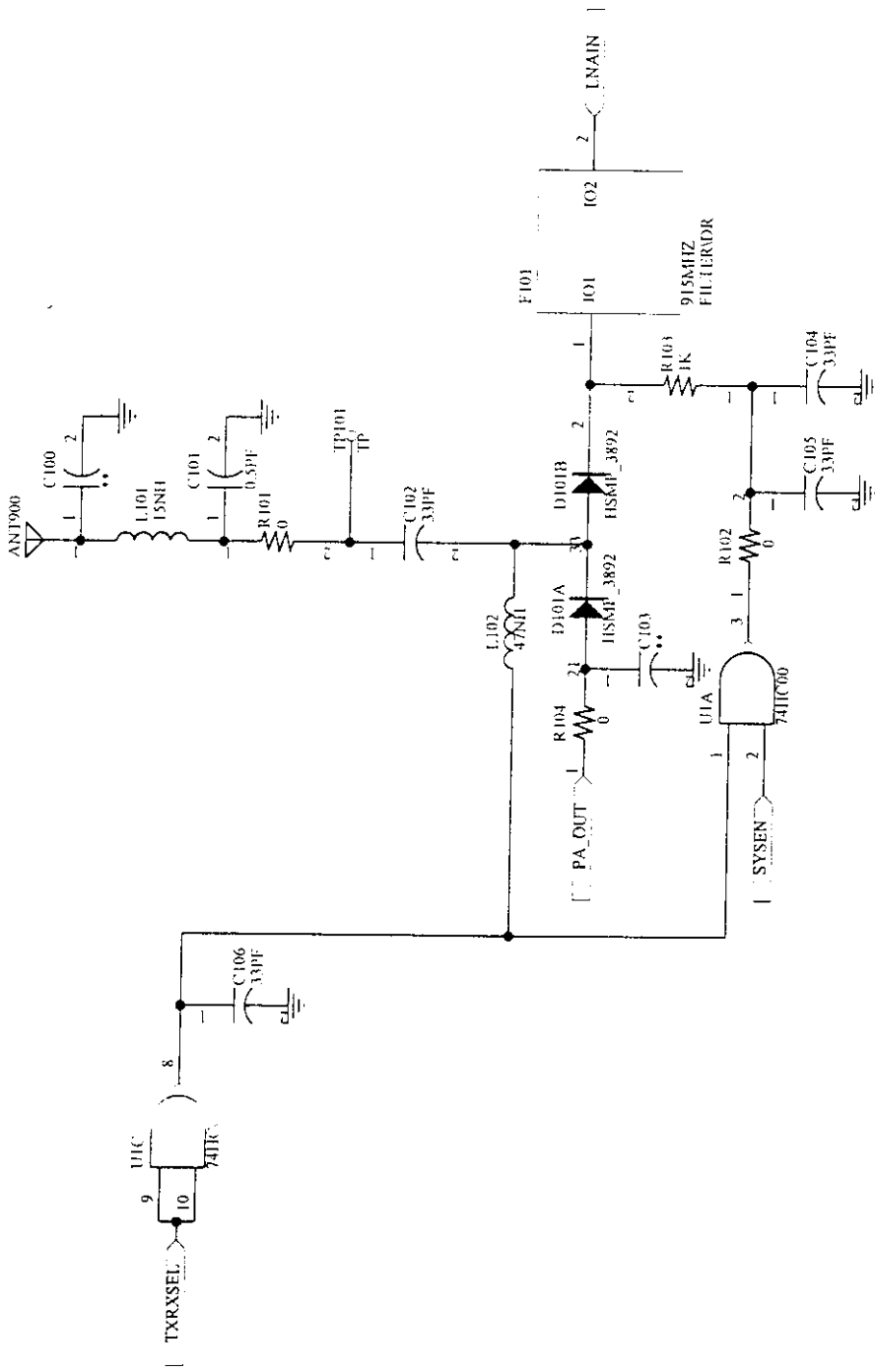
Title: SST 900MHz RF MODULE
 Size: A4
 Number: 1-
 Date: 1-Sep-1998
 File: CATMRF_TOOL\SST900RF105-ED.ACH By:

Revision

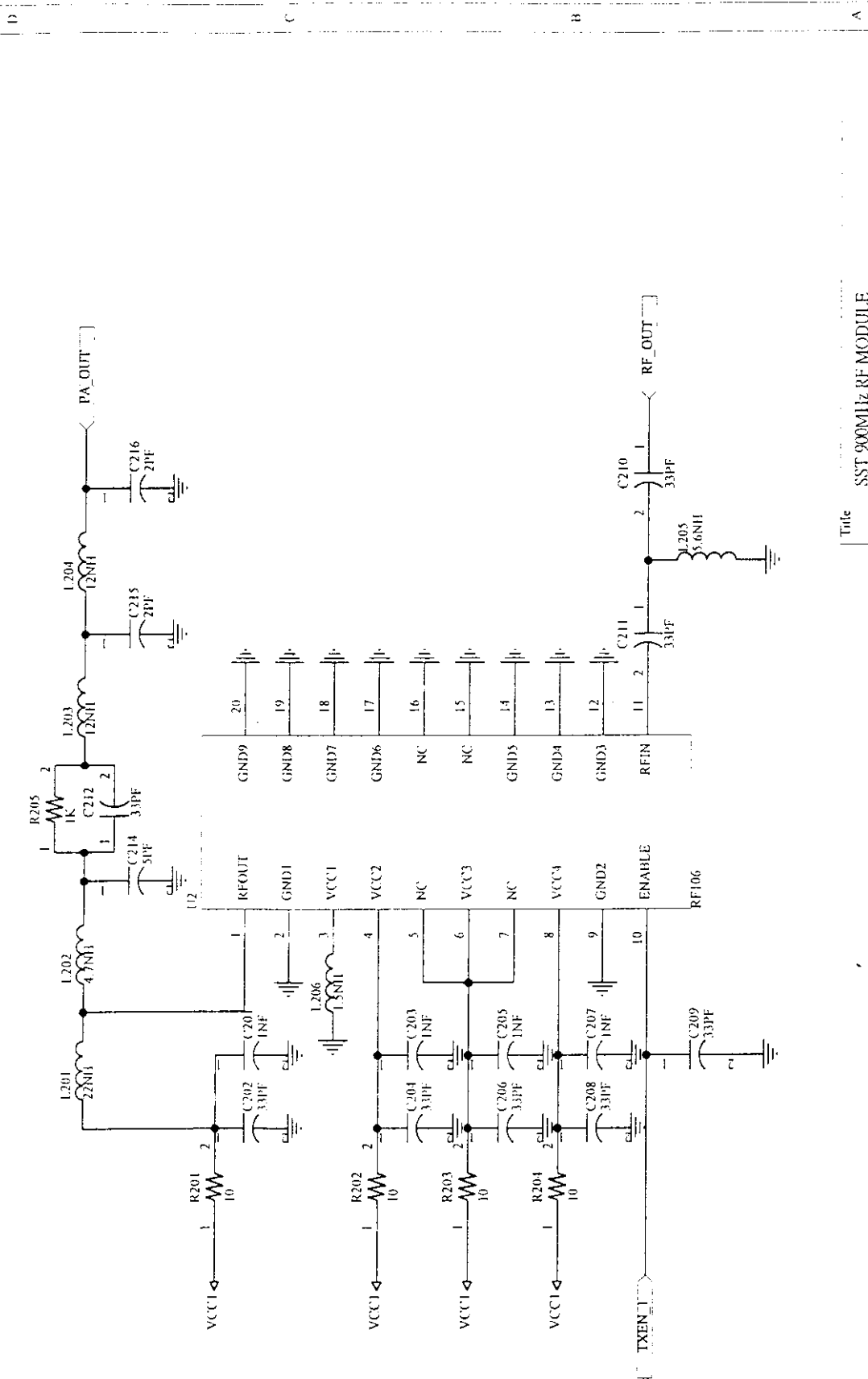


Title	
SST 900MHz RF MODULE BASE UNIT	
Size	Number
A4	
Date	1-Sep-1998
File	C:\TMP\RF_TOOL\SST900\SST900.DRAW
Revision	4

- NOTES:
1. FR4 PCB ER=4.5, H=1.0mm, 1/2 oz COPPER
 2. CONTROLLED IMPEDANCE: 50 ohms +/- 20%

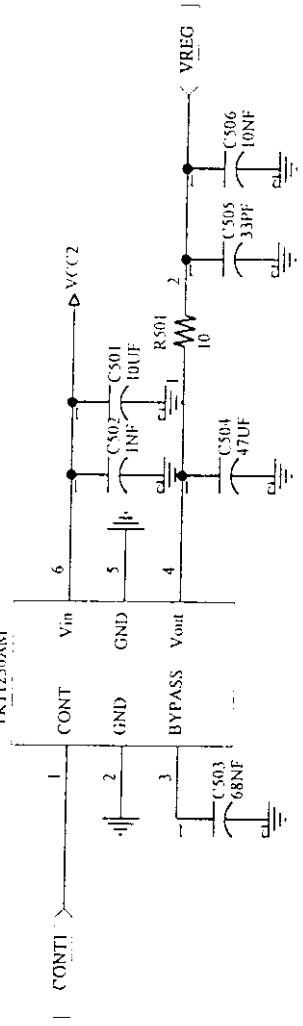


Title	SST 900MHz RF MODULE BASE UNIT
Size	A4
Number	
Revision	
Date:	1-Sep-1998
File:	C:\MPARE_T001\S\SST900\SSSTAN\DIAGGUY

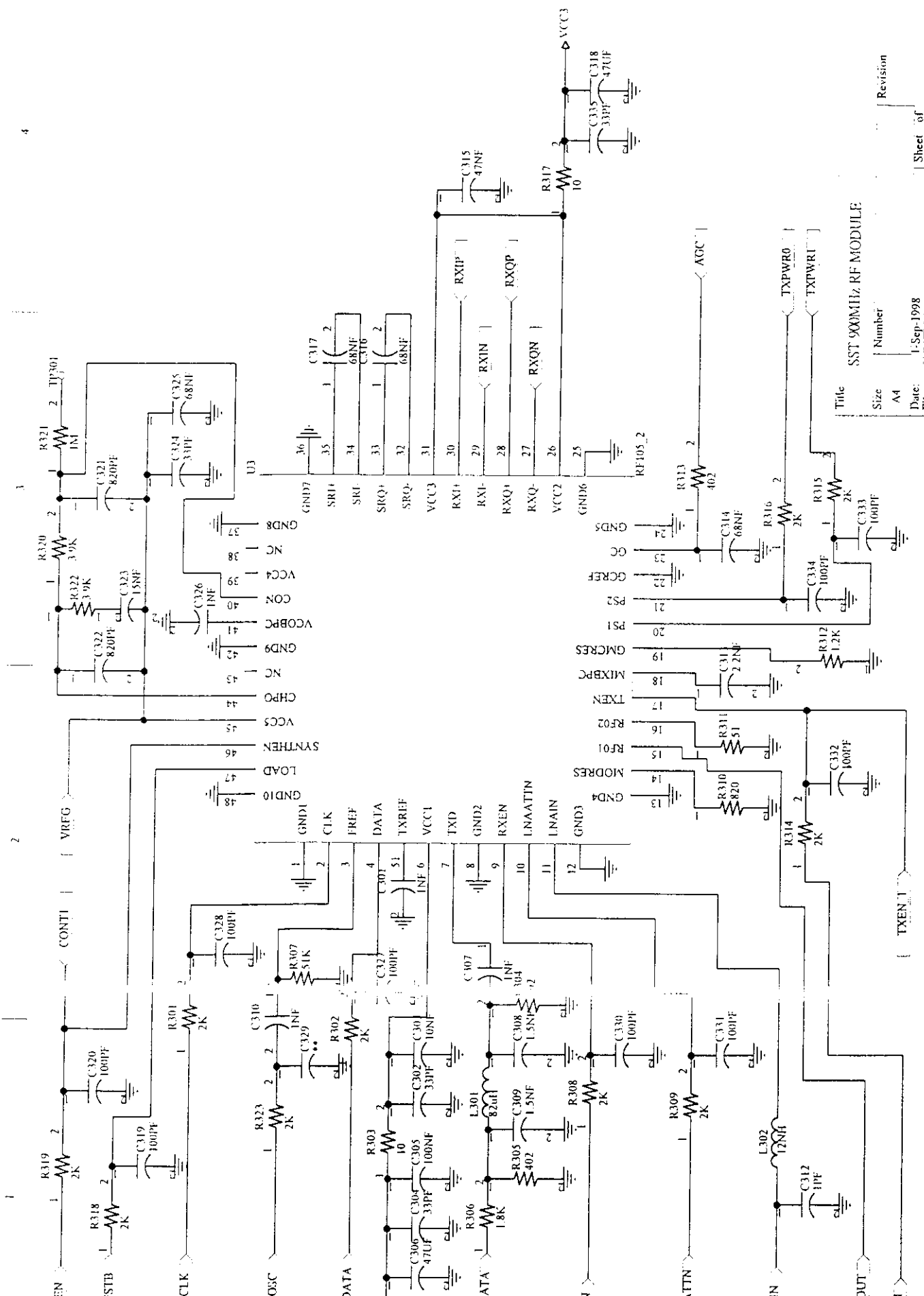


Title	SST 900MHz RF MODULE
Size	A4
Number	
Revision	
Date	1-Sep-1998
File	C:\TMP\RF_TOOL\SSST900RF106-ADIS\BHY
Sheet of	4

U5
TK11230AM



Title	SST 900MHz RF MODULE		
Size	Number	Revision	
A4			
Date	1-Sep-1998		Sheet of
File	C:\TMP\RF_TOOL\SST900VREG-AD-86.HB		4



Revision
 Title SST 900MHz RF MODULE
 Size A4
 Date: 1-Sep-1998
 File: C:\MPARE_TO01\SST900RF105.DWG.HBY