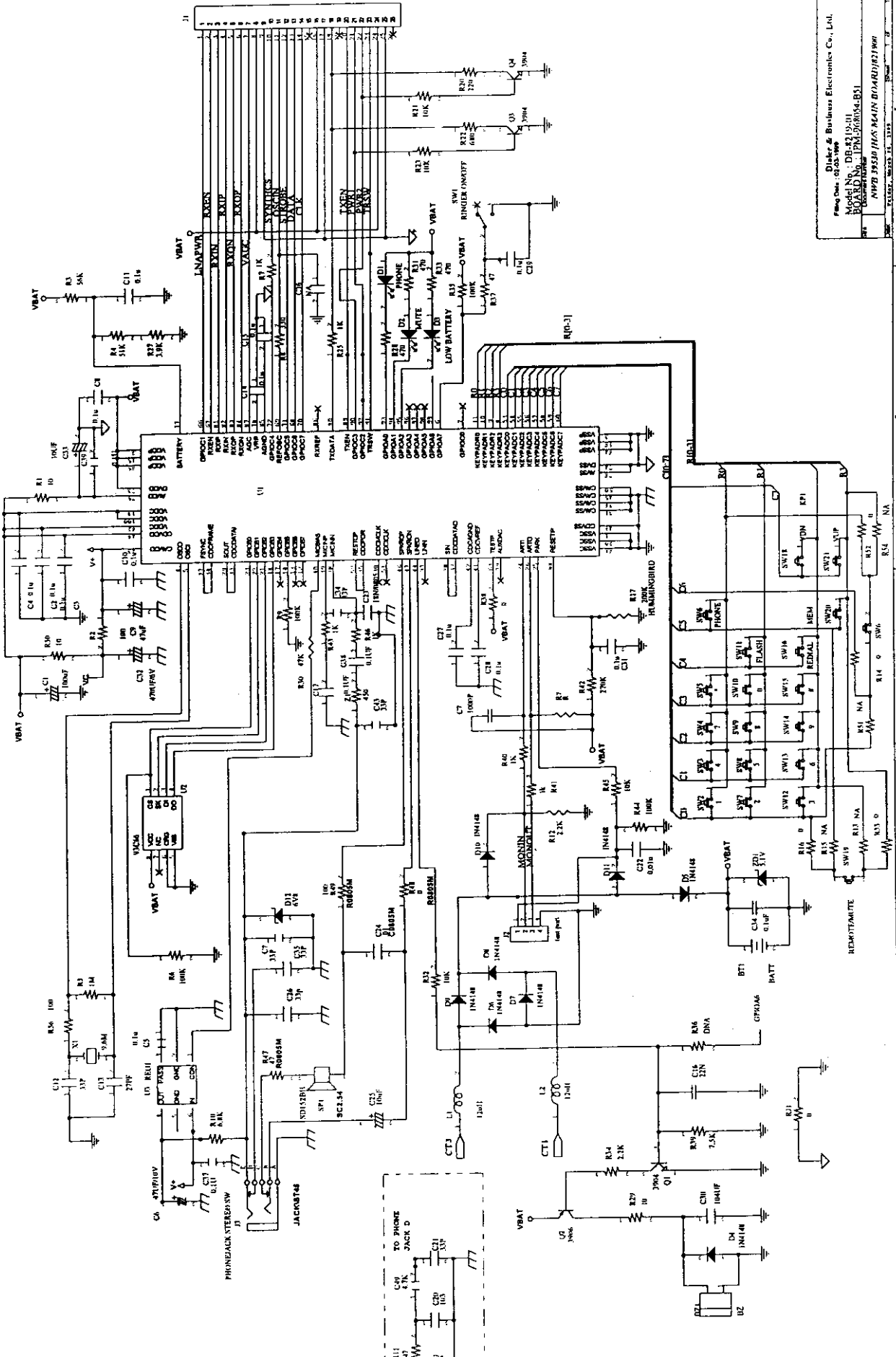
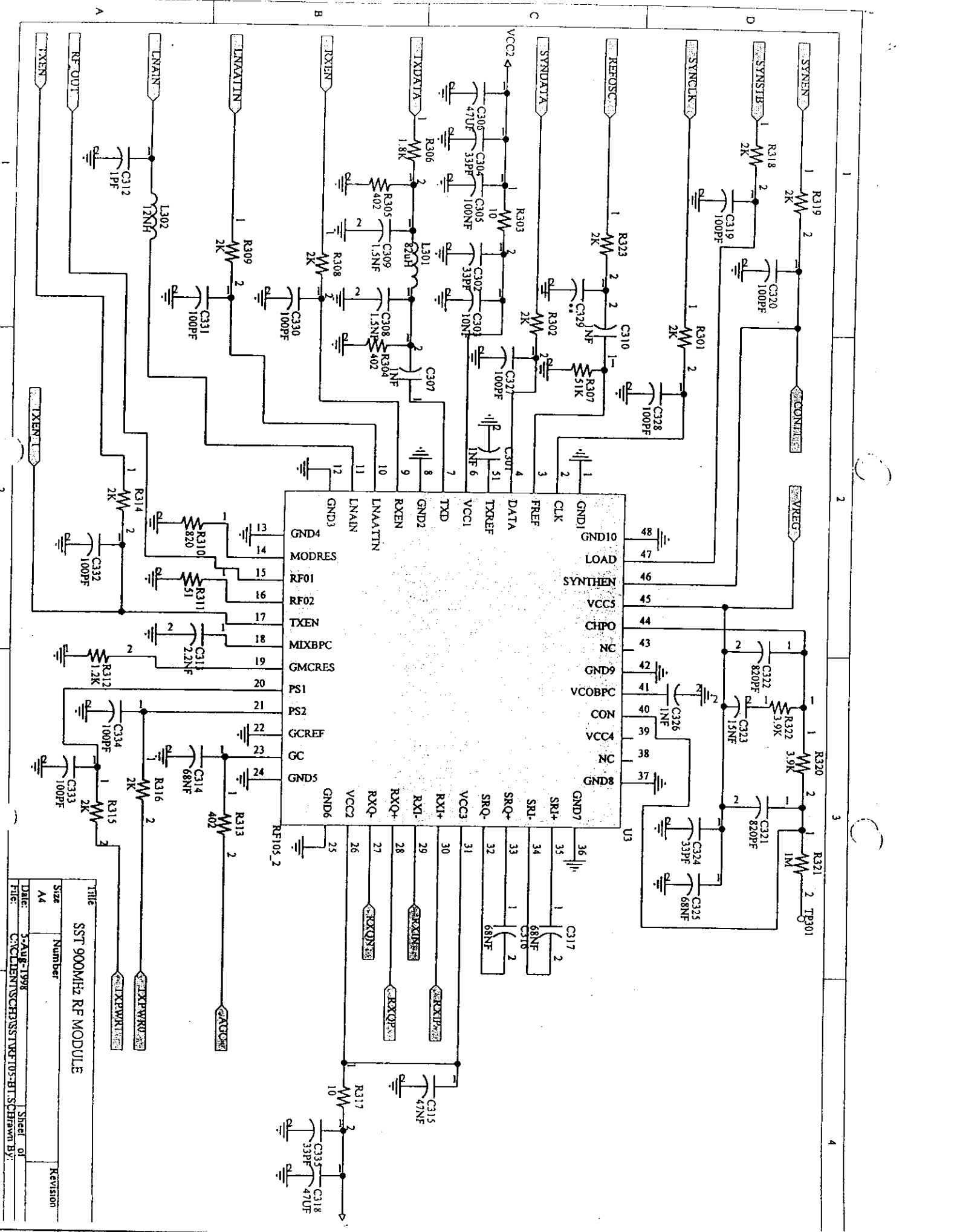


EXHIBIT D

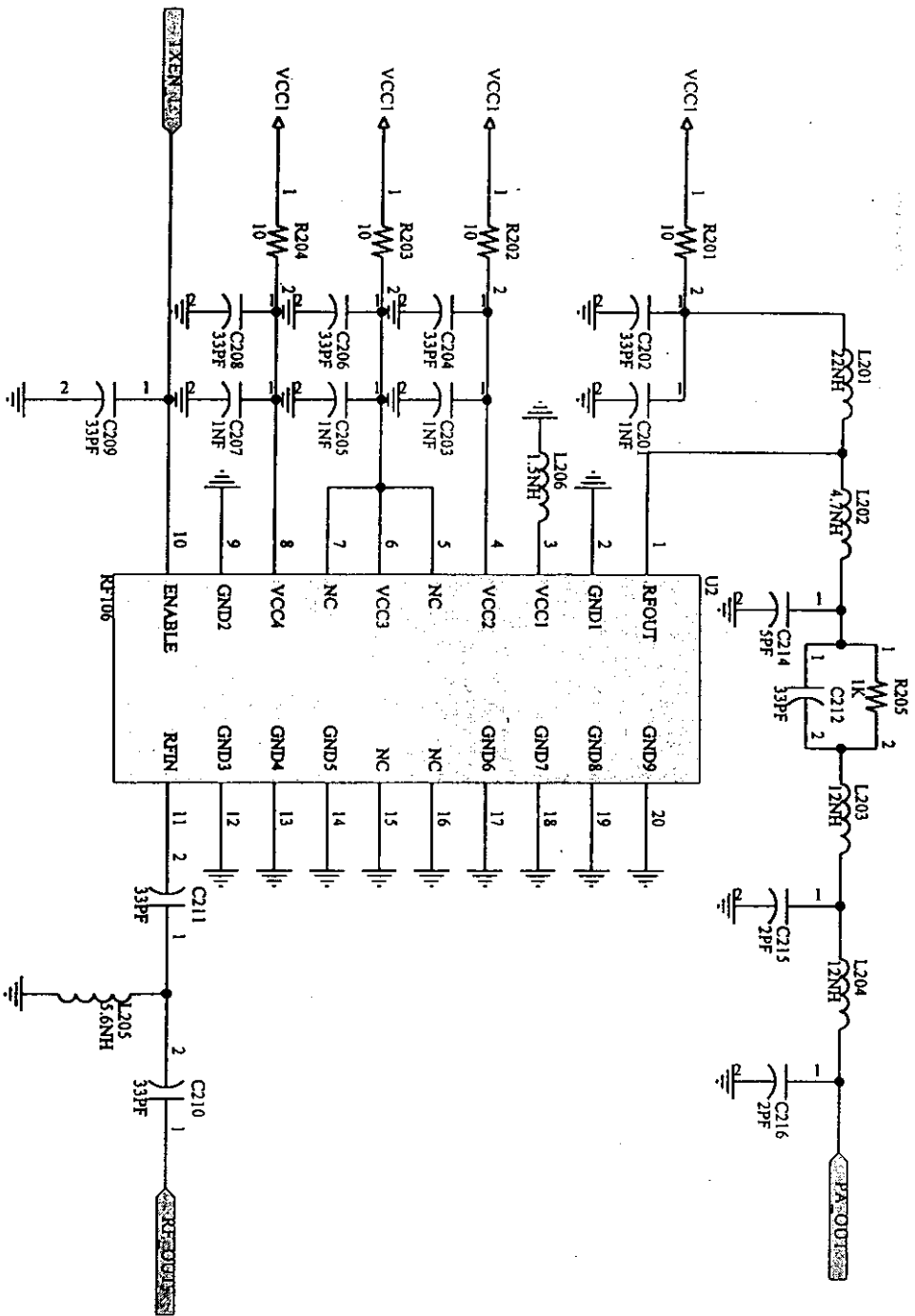
Circuit Diagram



Dick & Bultus Electronics Co., Ltd.
 Reg. No. of Design: DB 83 US 11
 BOARD No. DBM-208034-B51
 DRAWING No. DBM-208034-B51
 NPB 3550 INAS MAIN BOARD/27MM
 1.0



TITLE		SST 900MHz RF Module	
Size	A4	Number	5-AUG-1996
Date	CONCURRENTS/CHRS/STVF105-BT	Sheet of	4
File	Drawn By: [Signature]	Revision	



Title
SST 900MHz RF MODULE

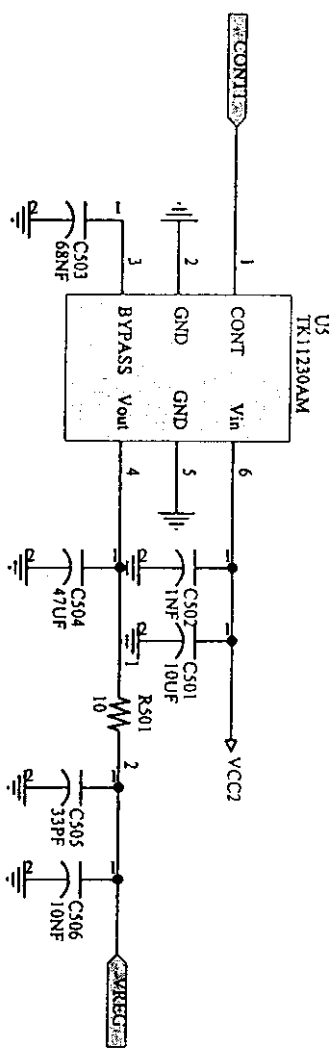
Size: A4
Number: _____
Revision: _____

Date: 5-Aug-1998
Sheet of: _____

File: C:\CLIENTS\CHUSS\YVDF106-AZ.SCH
Drawn By: _____

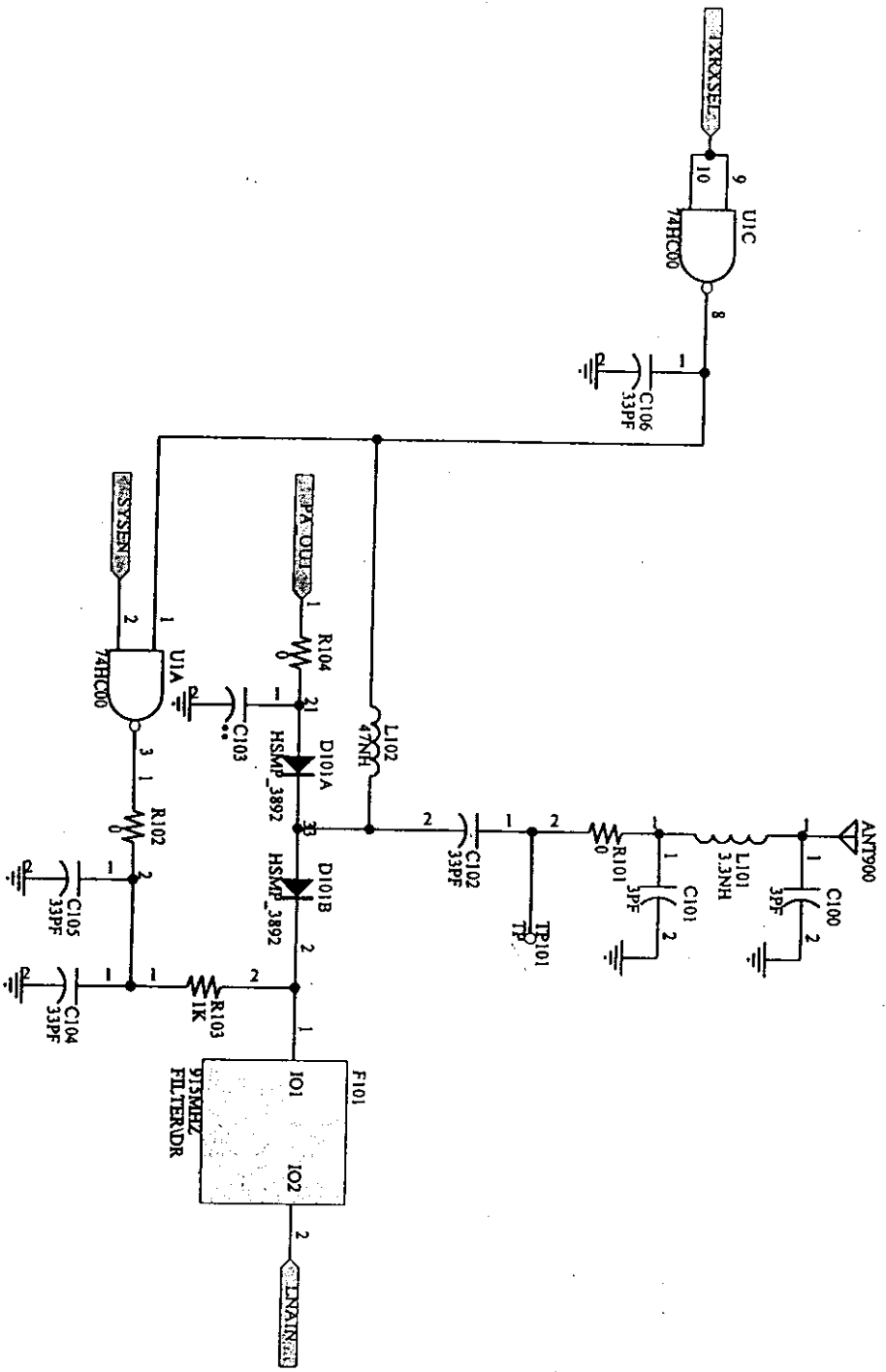
1 2 3 4

A B C D



TITLE
SST 900MHz RF MODULE

Size	Number	Revision
A4		
Date:	5-Aug-1998	Sheet of
File:	C:\CIB\VT\SCH\SS\TVNEG-AT\SCH.dwg	Drawn By:



Title		SST 900MHz RF MODULE HANDSET UNIT	
Size	Number	Revision	
A4			
Date:	5-Aug-1998	Sheet of	
File:	C:\CIRCUITS\CHESSTANT\ANT7H\SDRAWN BY:	Revision	