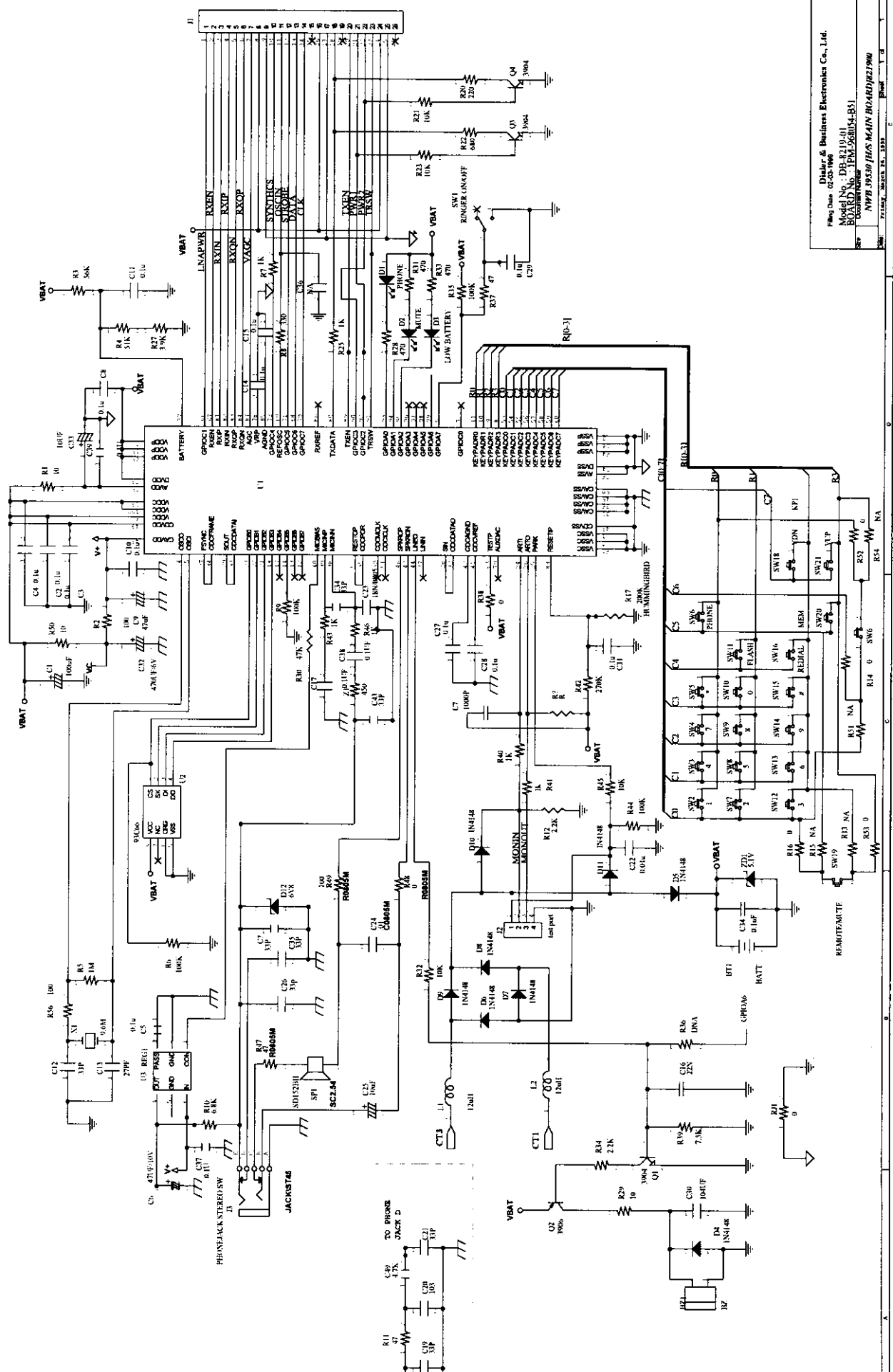
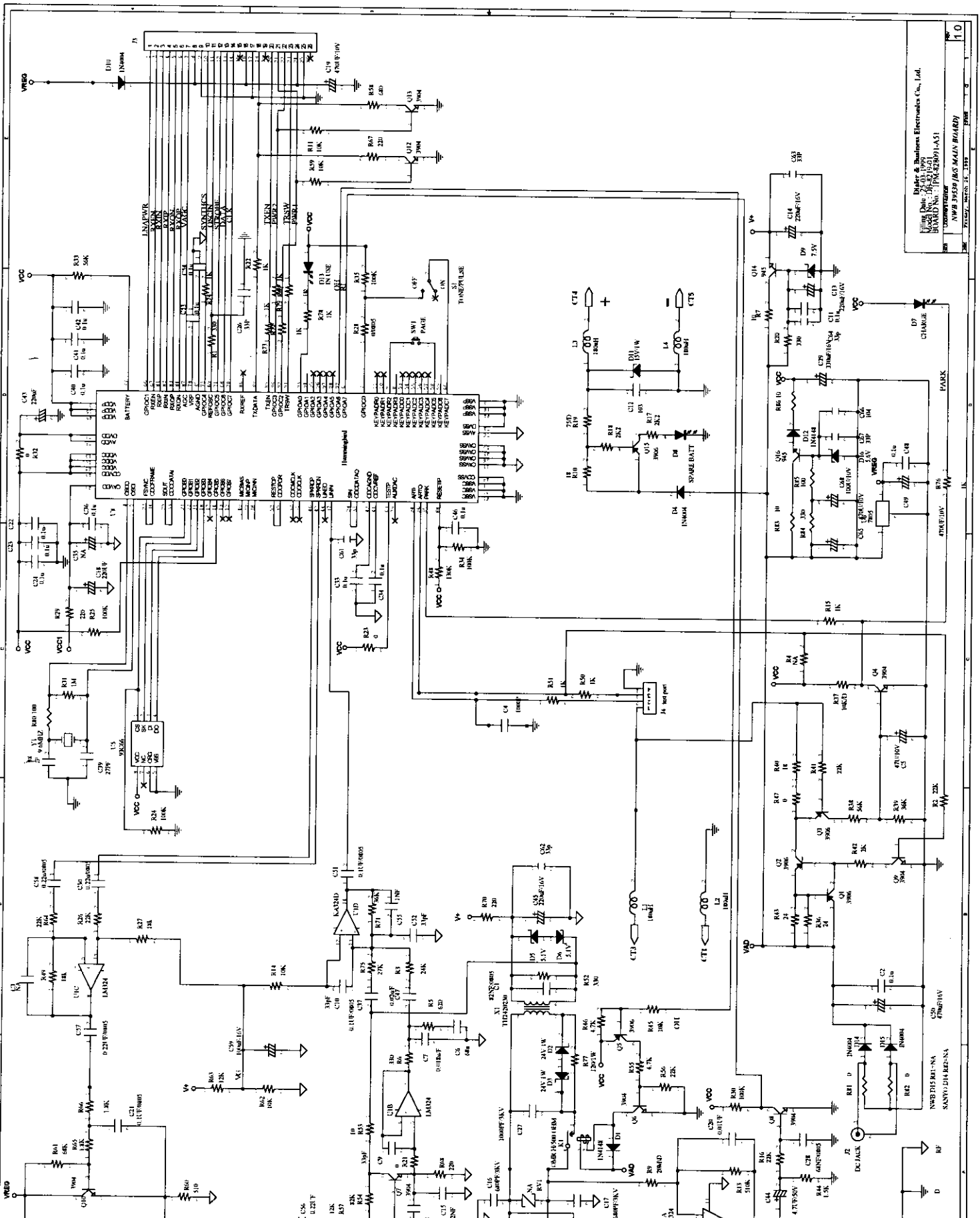


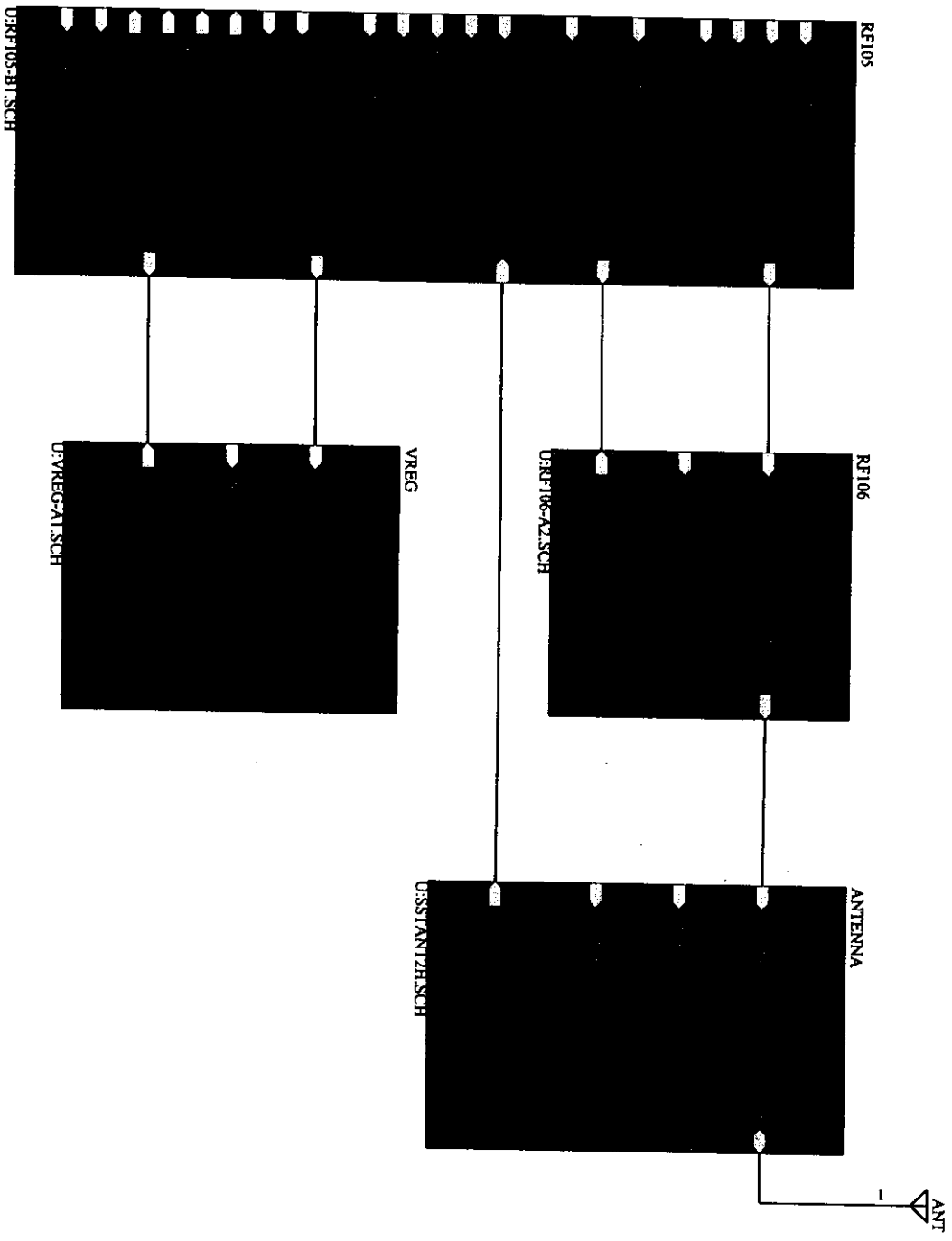
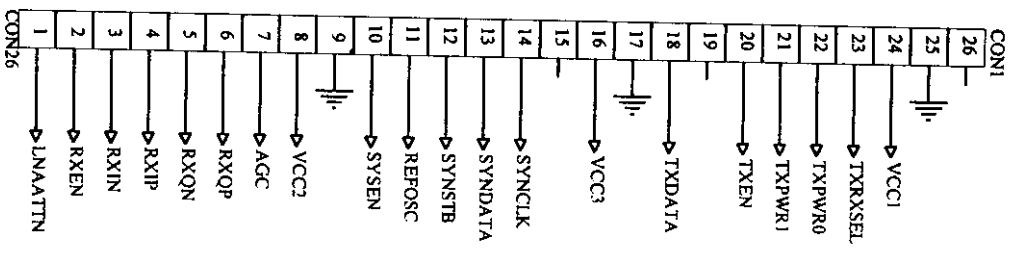
***EXHIBIT D***  
***Circuit Diagram***



Hewlett-Packard Business Electronics Co., Ltd.  
 Model No. : HP-31(01)  
 BOARD No. : JPMALX8004-B31  
 Revision : 1.0  
 Date : 7/15/80



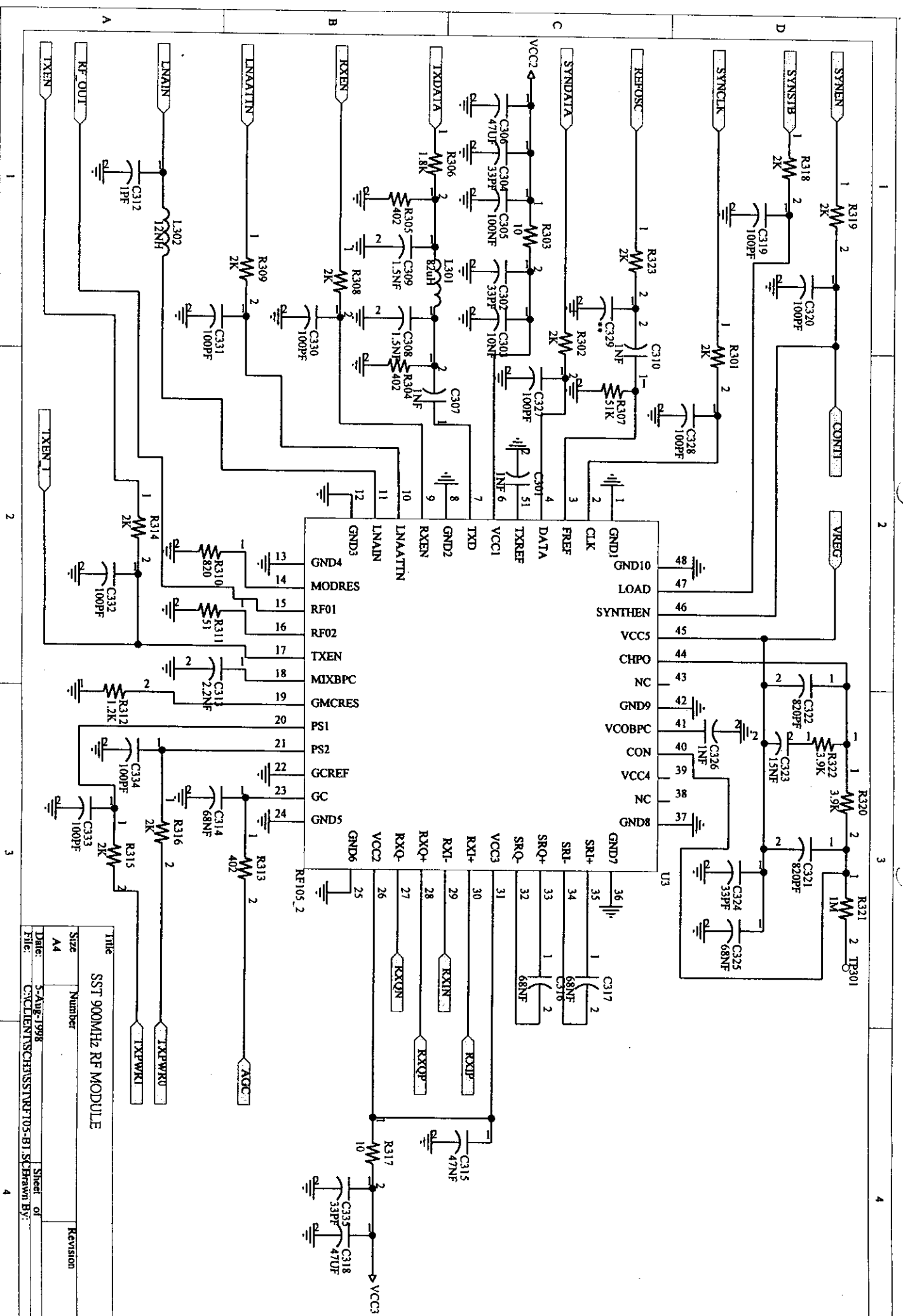
Design & Business Electronics Co., Inc.  
 11000 Duff Road, Dallas, Texas 75243  
 BOARD No. 10-22901-A-31  
 Component  
 10-22901-1-A-31  
 2025-2026, P.C. 1278



NOTES:

- 1. FR4 PCB ER=4.5, H=1.0mm, 1/2 oz COPPER
- 2. CONTROLLED IMPEDANCE 50 ohms +/- 20%

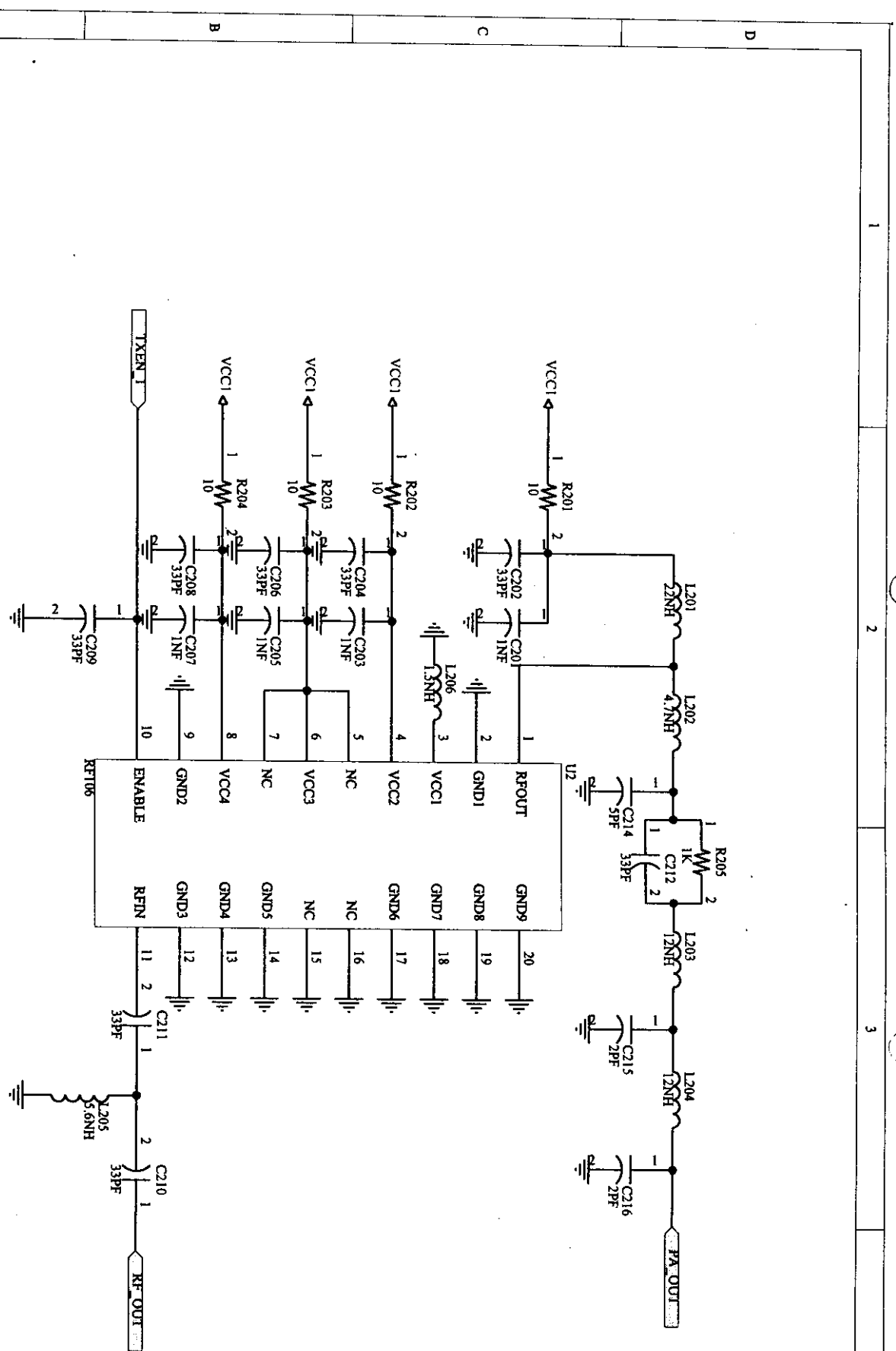
TITLE		SST 900MHz RF MODULE HANDSET UNIT	
Size	Number	Revision	Sheet of
A4			4
Date:	5-Aug-1998	Drawn BY:	
File:	C:\CLIENT\SCH\SS1\SST1900Z.H	Drawn BY:	



Title: SST 900MHz RF MODULE

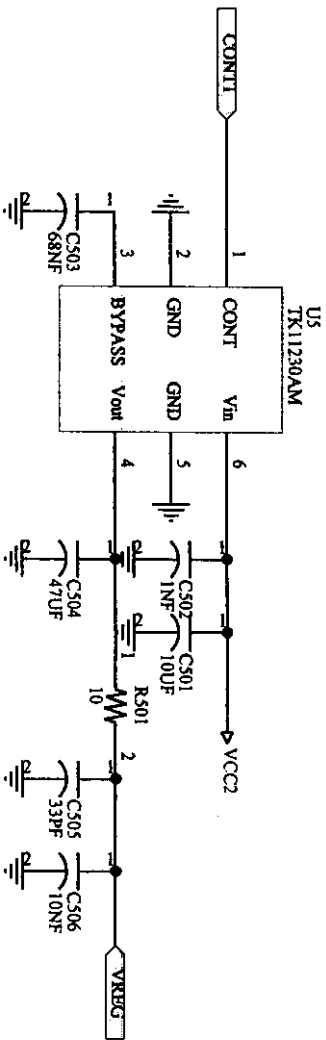
Size: A4  
 Number: \_\_\_\_\_  
 Date: 5-Aug-1998  
 File: C:\CLIENTS\CHSIS\TRF105-B1.SCH

Sheet of: \_\_\_\_\_  
 Revision: \_\_\_\_\_



TITLE SST 900MHz RF MODULE  
 Size A4  
 Date: 5-Aug-1998  
 File: C:\CLIENTS\SCH3\SS\TUP106-A7.SCH

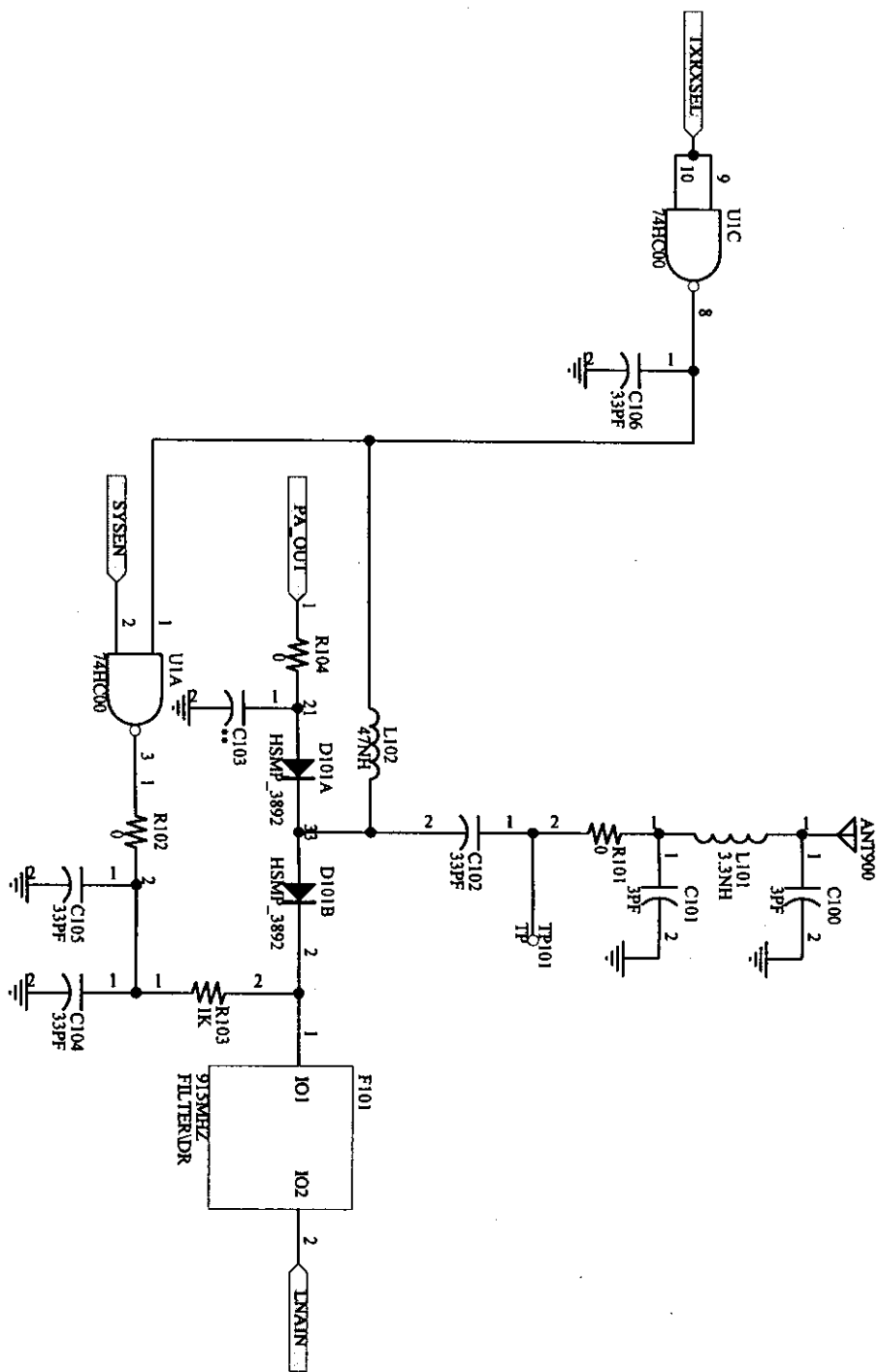
Number	Revision



Title  
SST 900MHz RF MODULE

Size A4  
Revision

Date: 5-Aug-1998  
File: C:\CLIENT\SCHRISS\VREG-AT\SCHRAWN BY:



Title  
SST 900MHz RF Module Handset Unit

Size  
A4

Date:  
5-Aug-1998

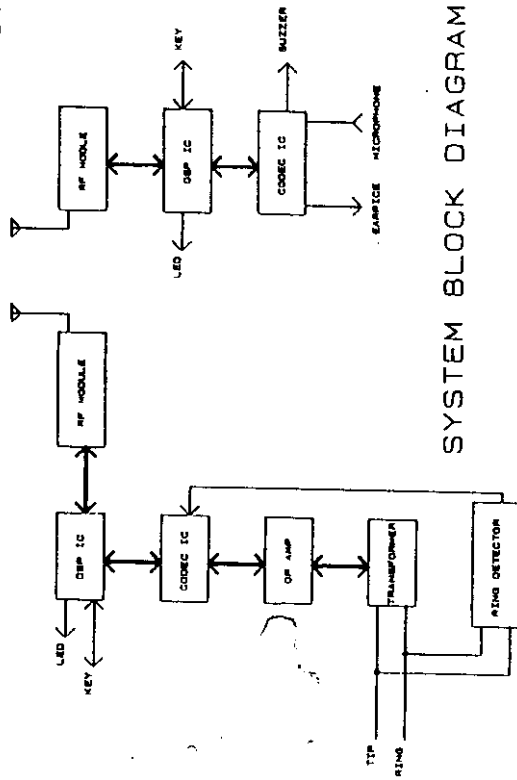
File:  
C:\CLIENTS\CHS\SS\STANT\ZHS\DRWA BY:

Revision



***EXHIBIT E***  
***Block Diagram***

# BASE UNIT HANDSET UNIT



SYSTEM BLOCK DIAGRAM

DALLAS AND BUSINESS CO., LTD	
MODEL NO.	
PCN	
TITLE	
DMS01/DMS02 SYSTEM BLOCK DIAGRAM	
REV	REVISION NUMBER
1	DMS01/DMS02 --- 0001
DATE	NUMBER / DATE
	37