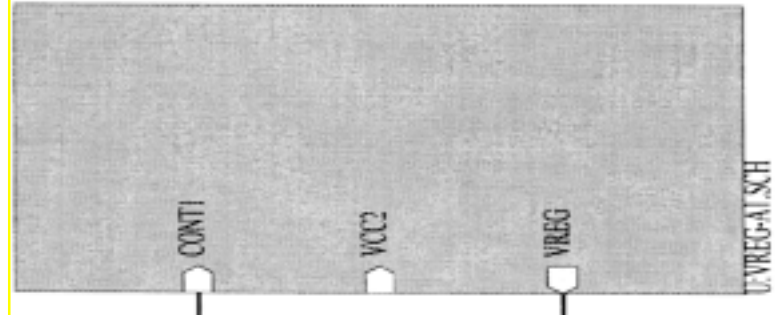
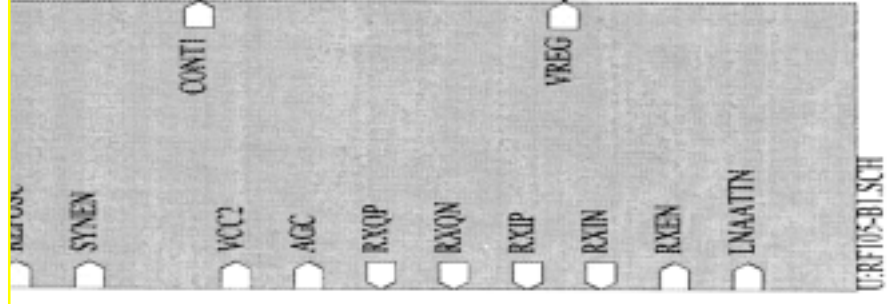
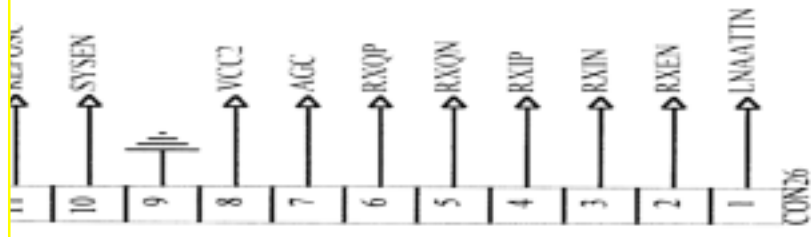


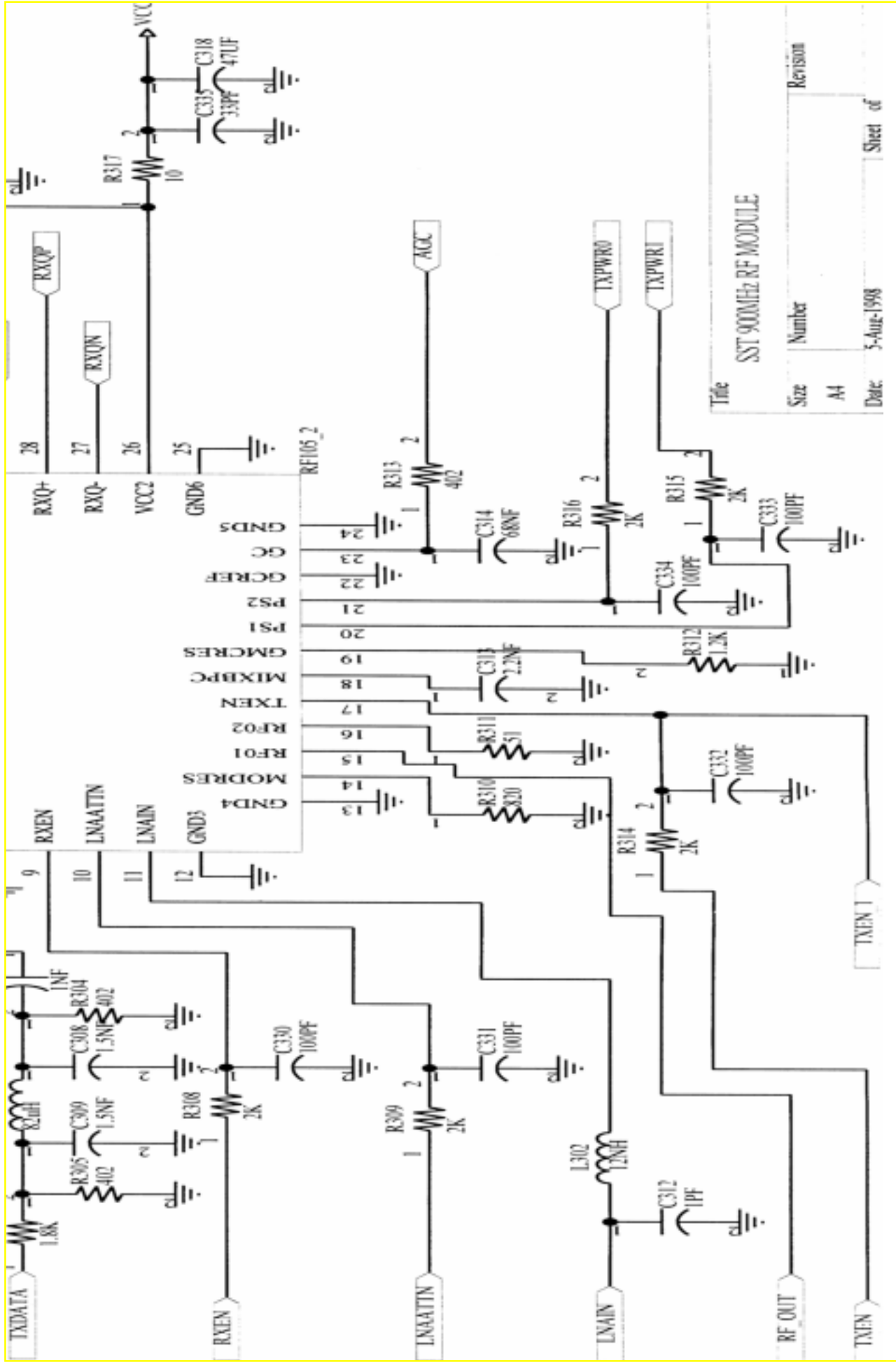
© 1964 by Radio Shack Electronics Co., Ltd.  
 All rights reserved.  
 Printed in the U.S.A.

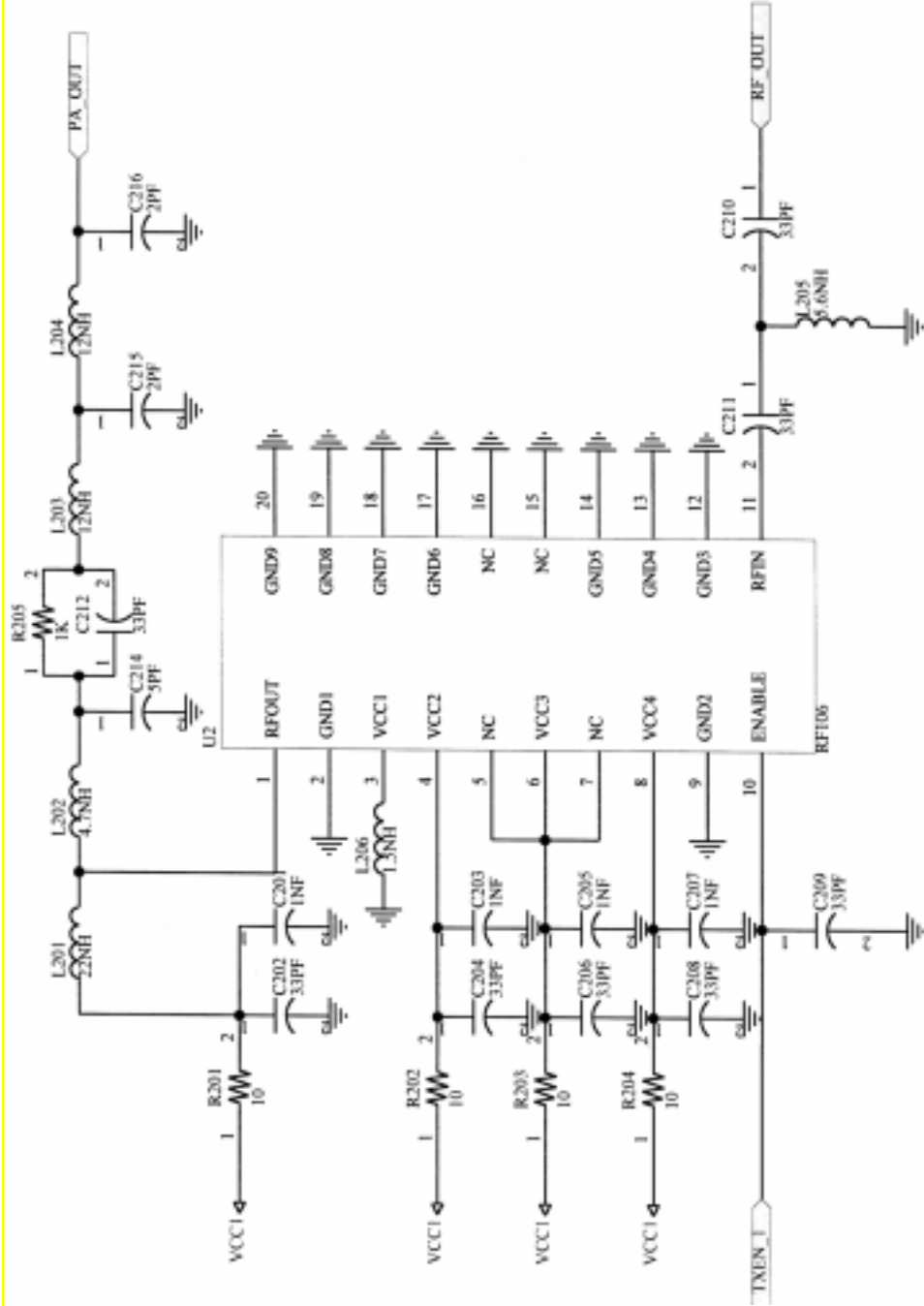


NOTES:

1. FR4 PCB ER=4.5, H=1.0mm, 1/2 oz COPPER
2. CONTROLLED IMPEDANCE 50 ohms +/- 20%

Title		SST 900MHz RF MODULE HANDSET UNIT	
Size	Number	Revision	
A4			
Date:	3-Aug-1998	Sheet of	
File:	C:\CLIENT\SCH\SST\SST19002H.PSD	Drawn By:	

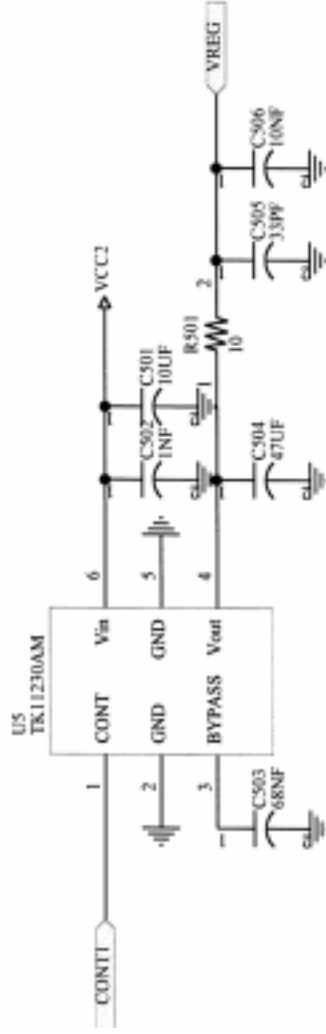




Title SST 900MHz RF MODULE

Size	Number	Revision
A4		

Date: 5-Aug-1998 Sheet of  
 File: C:\CLIENT\SCH5\SSTRF106-A2.SCH Drawn By:



Title

SST 900MHz RF MODULE

Size

Number

Revision

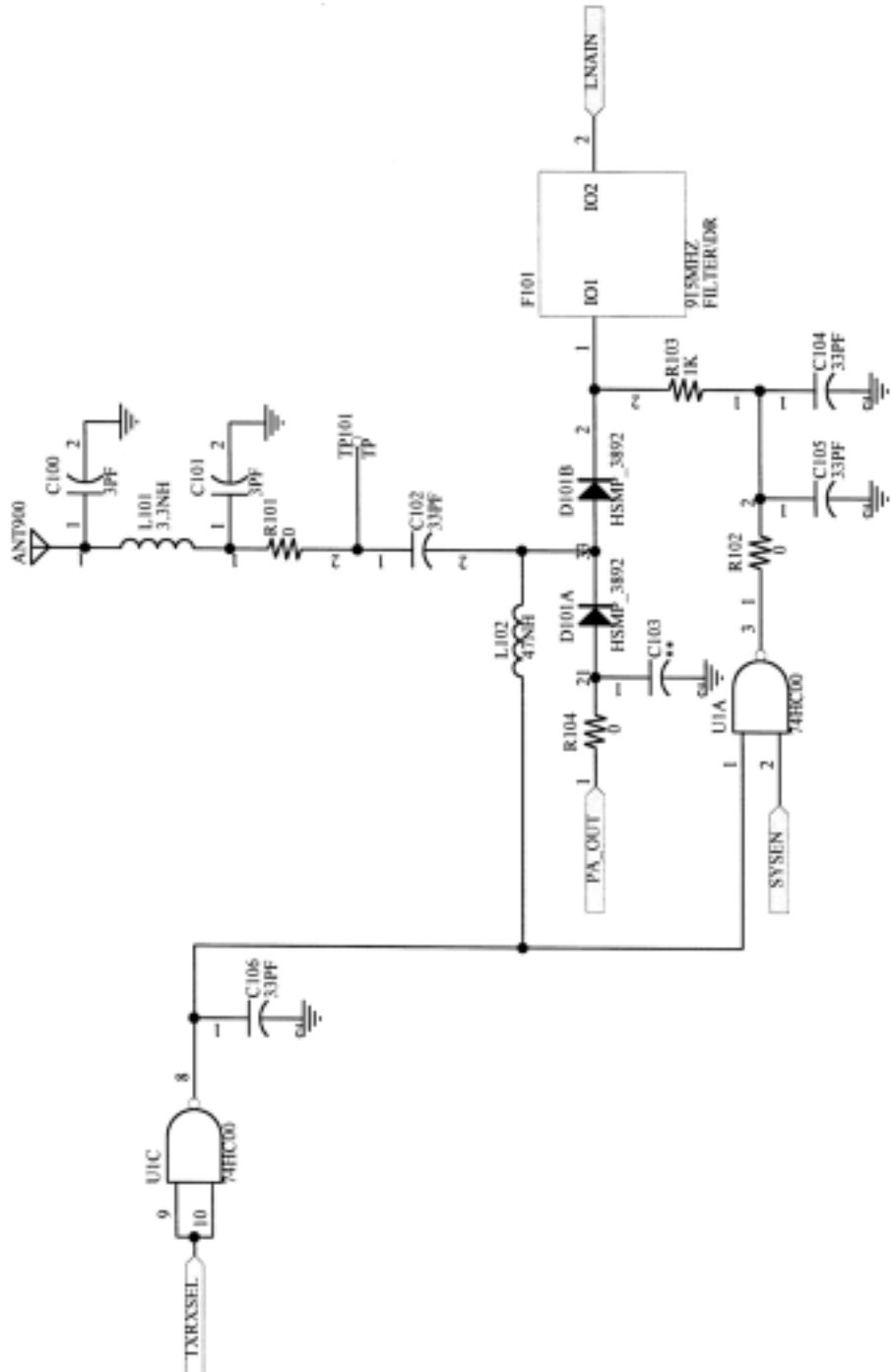
A4

Date: 5-Aug-1998

Sheet of

1

File: C:\CLIENT\SCH\SSTVREG-A1.SCH Drawn By:

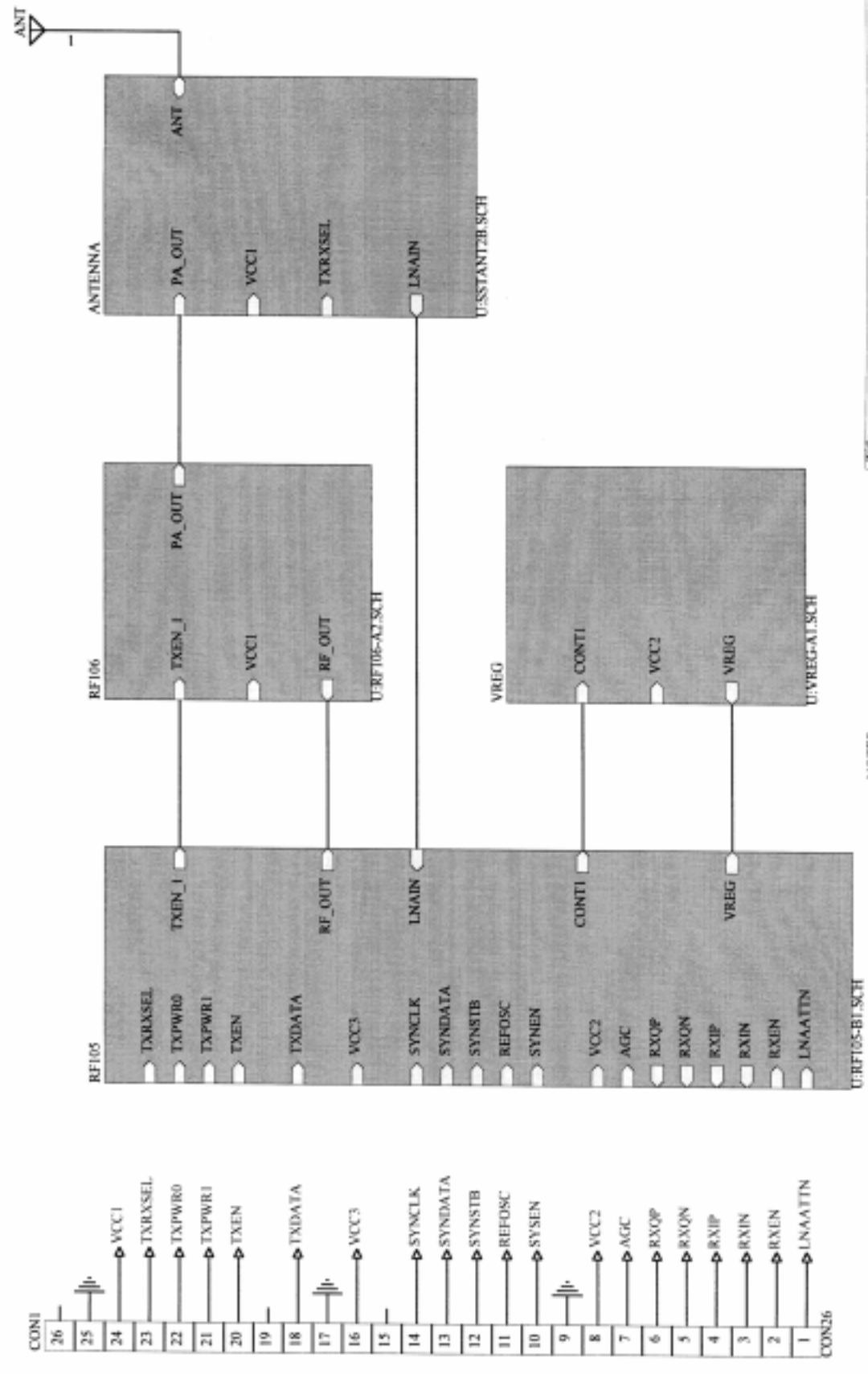


THE SST 900MHz RF MODULE HANDSET UNIT

Size Number Revision

A4 5-Aug-1998 Sheet of

File: C:\CLIENT\SCHUSSTASSTANT\HSD\HSD.HW By:

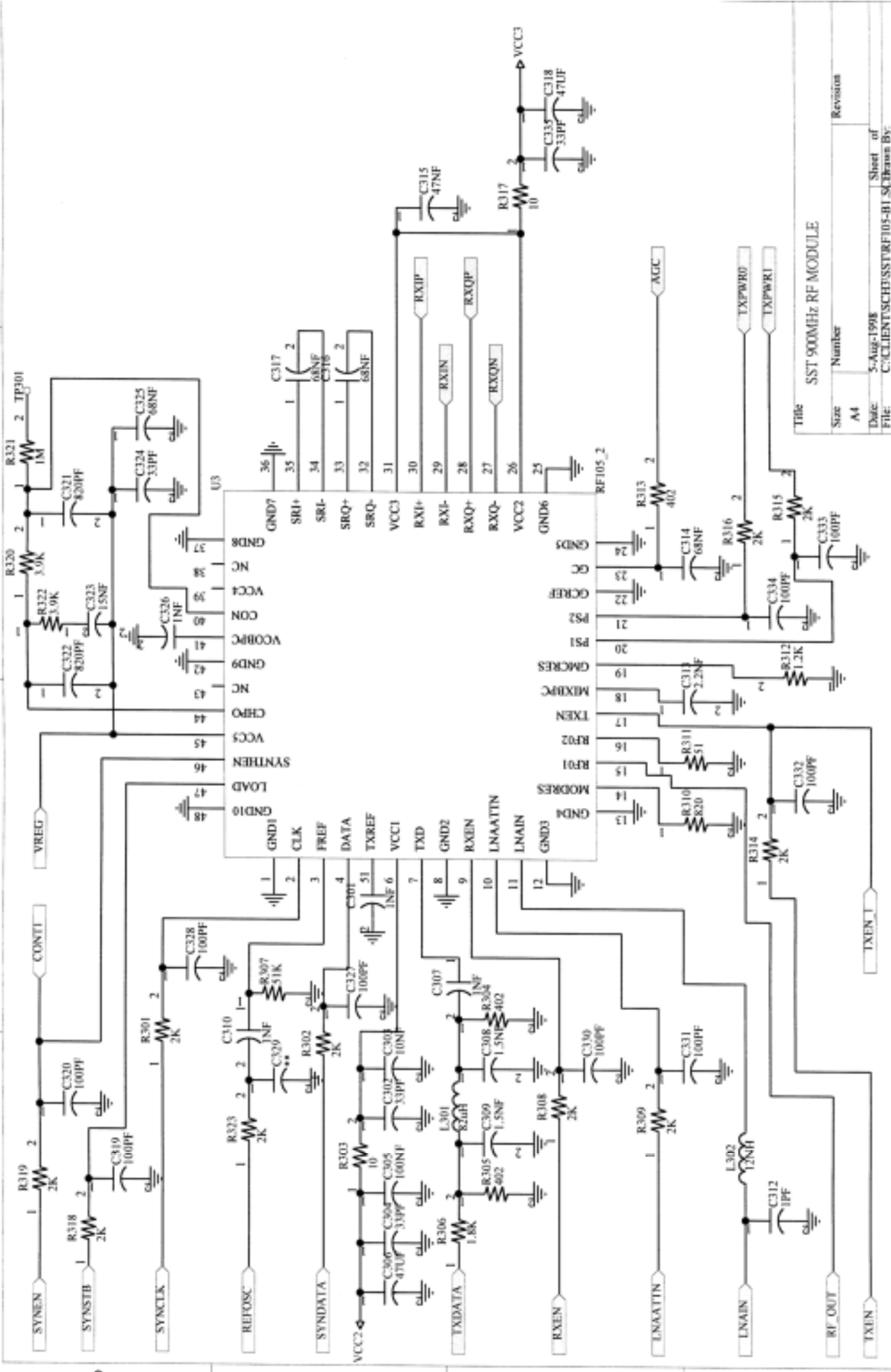


NOTES:

- FR4 PCB ER-4.5, H-1.0mm, 1/2 oz COPPER
- CONTROLLED IMPEDANCE 50 ohms +/- 20%

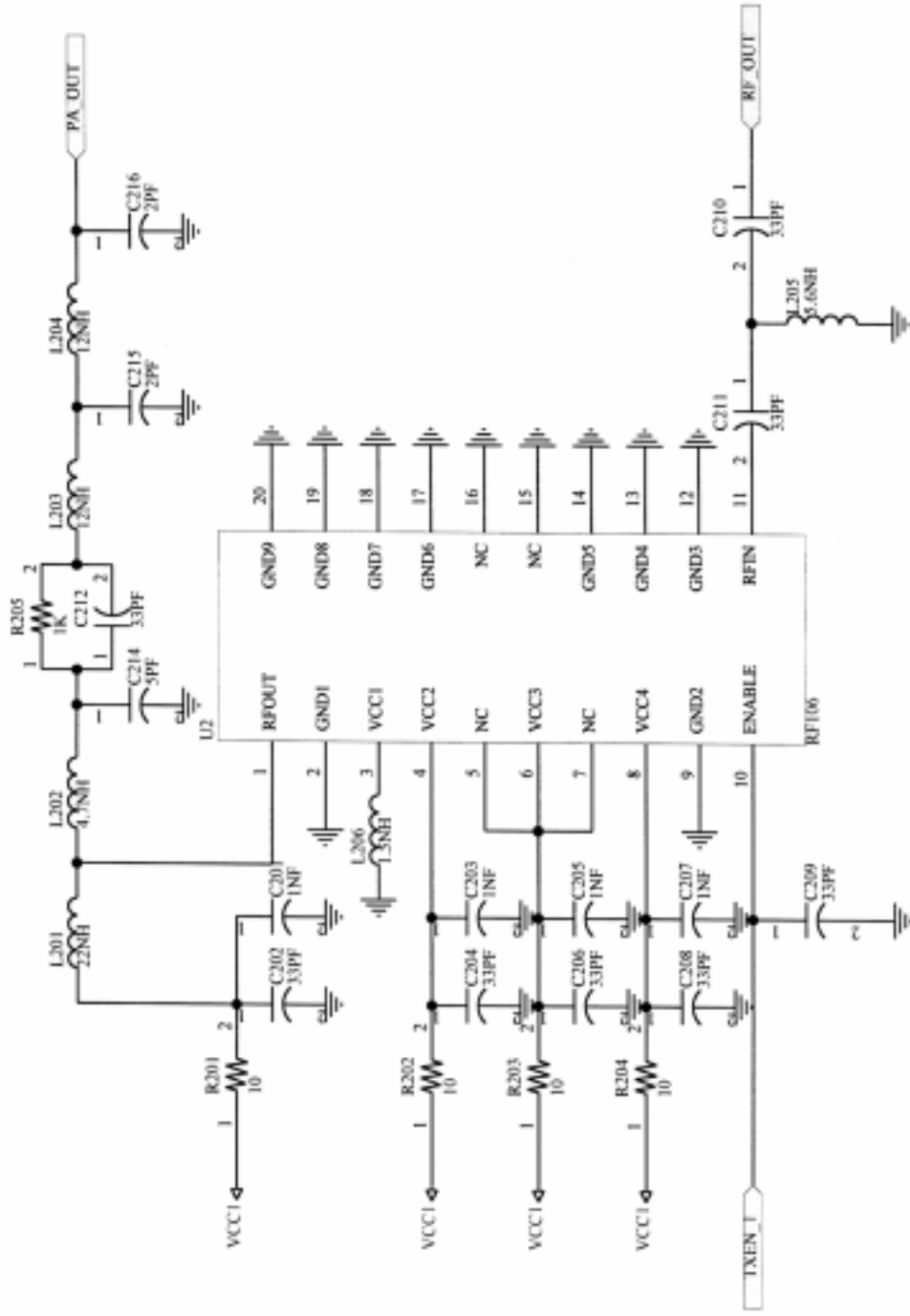
Title		SST 900MHz RF MODULE BASE UNIT	
Size	Number	Revision	
A4			
Date:	5-Aug-1998		Sheet of
File:	C:\CLIENT\SCHU\SS1\SS10002B.P99		Drawn By:



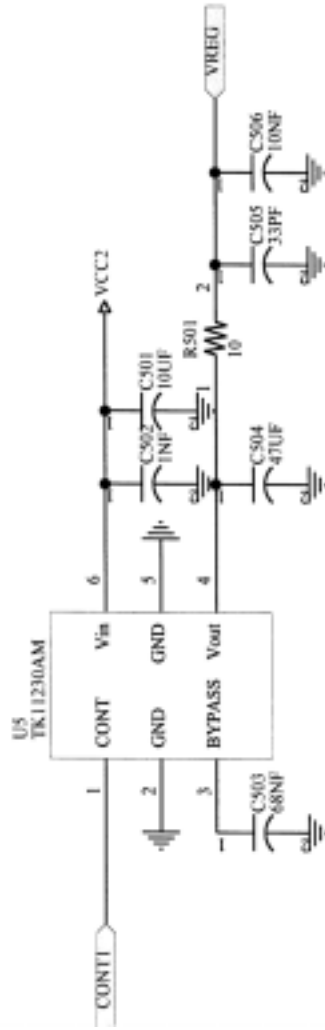


Title SST 900MHz RF MODULE

Size	Number	Revision
A4		
Date:	5-Aug-1998	Sheet of
File:	C:\CLIENTSCHSCHST\RF105-B1_SCH.DRAW	By:



Title		SST 900MHz RF MODULE	
Size	Number	Revision	
A4			
Date:	3-Aug-1998	Sheet of	
File:	C:\CLIENT\SCH15\SST\RF106-A2.SCH	Drawn By:	



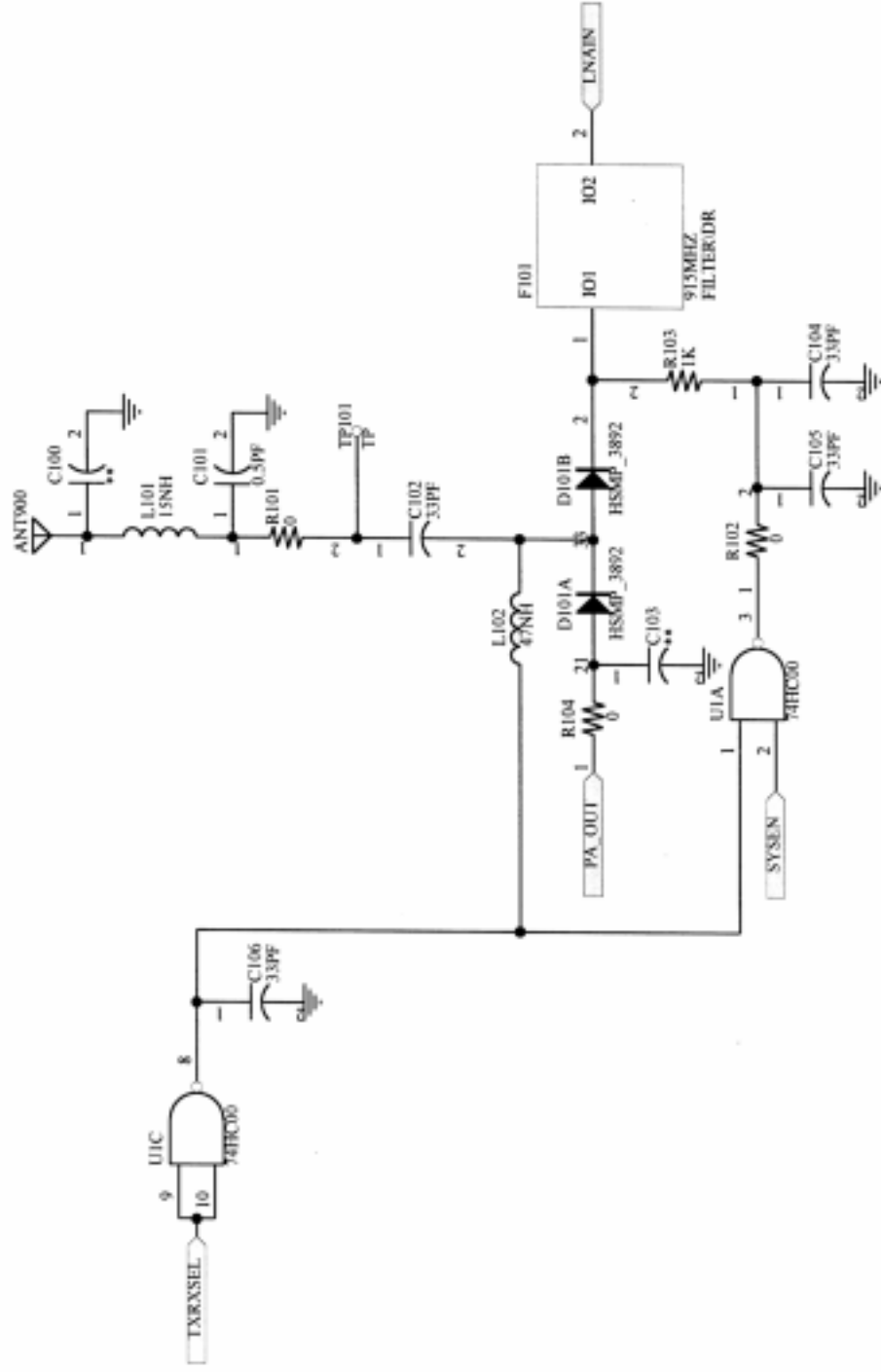
Title SST 900MHz RF MODULE

Size Number Revision

A4

Date: 3-Aug-1998 Sheet of

File: C:\CLIENT\SCH\SSSTVREG-A1.SCH Drawn By:



Title		SST 900MHz RF MODULE BASE UNIT	
Size	Number	Revision	
A4			
Date:	5-Aug-1998	Slice	of
File:	C:\CLIENT\SCHUSSSTANTZB.SDH\wv By:		