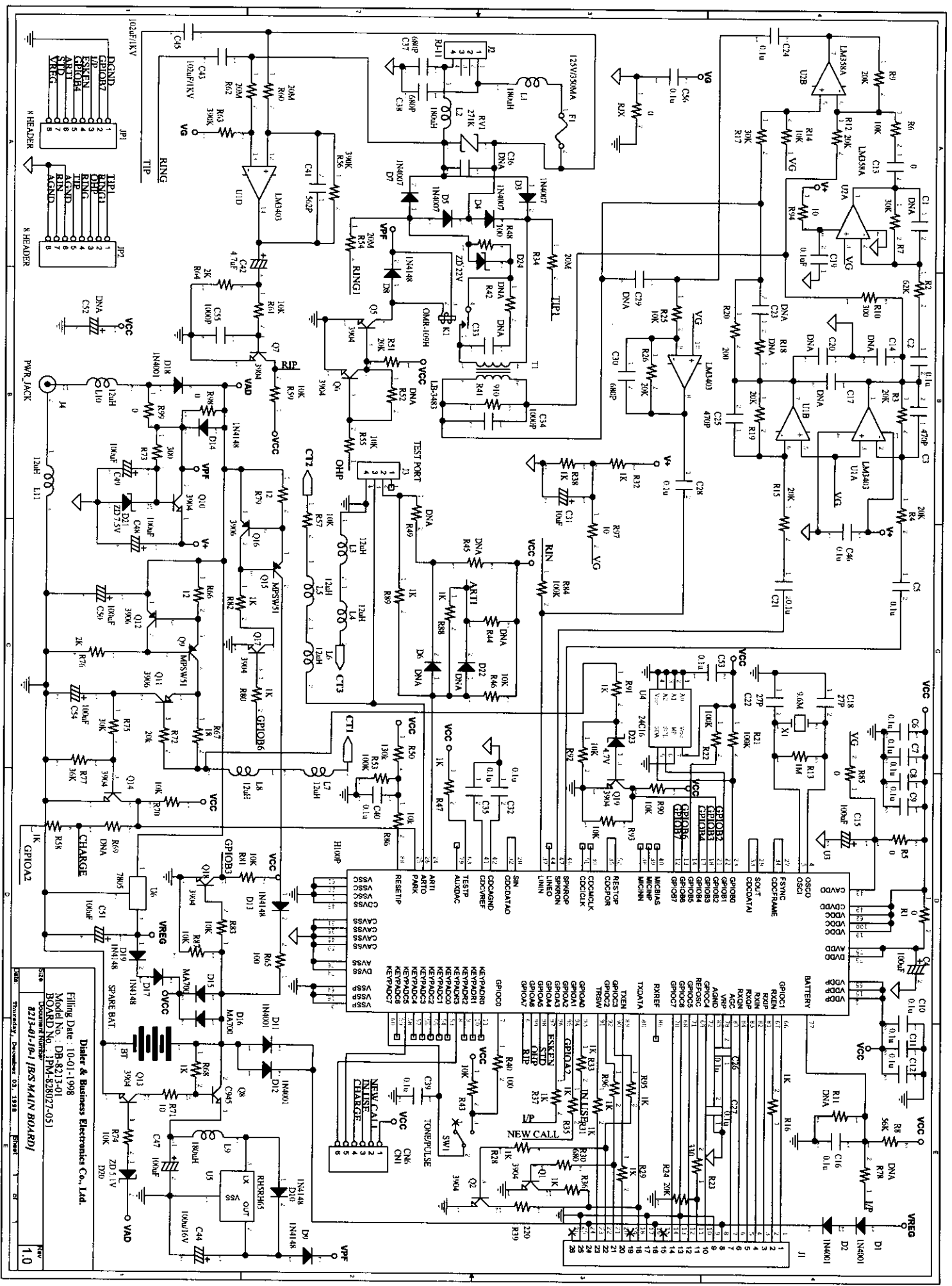
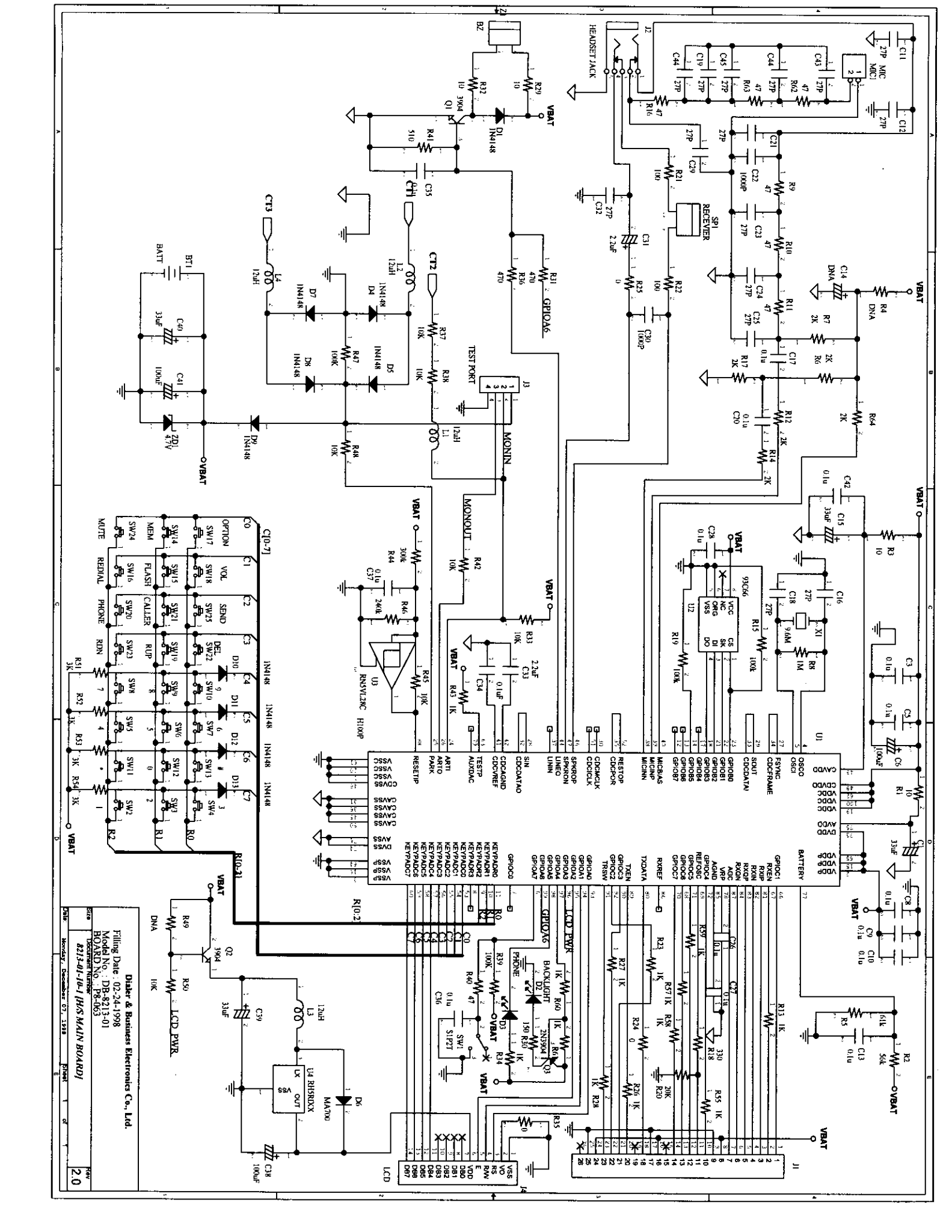


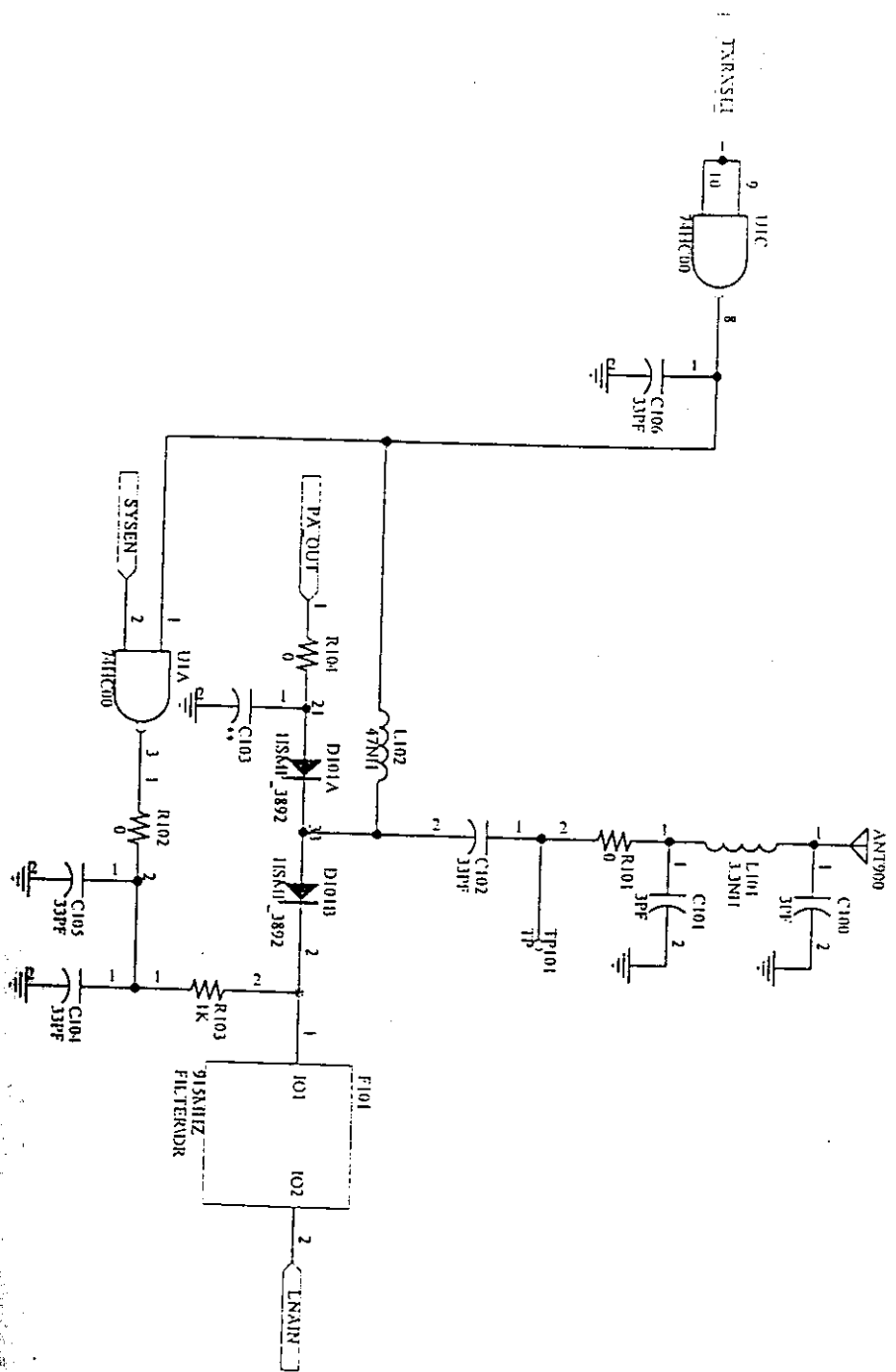
***EXHIBIT D***  
***Circuit Diagram***

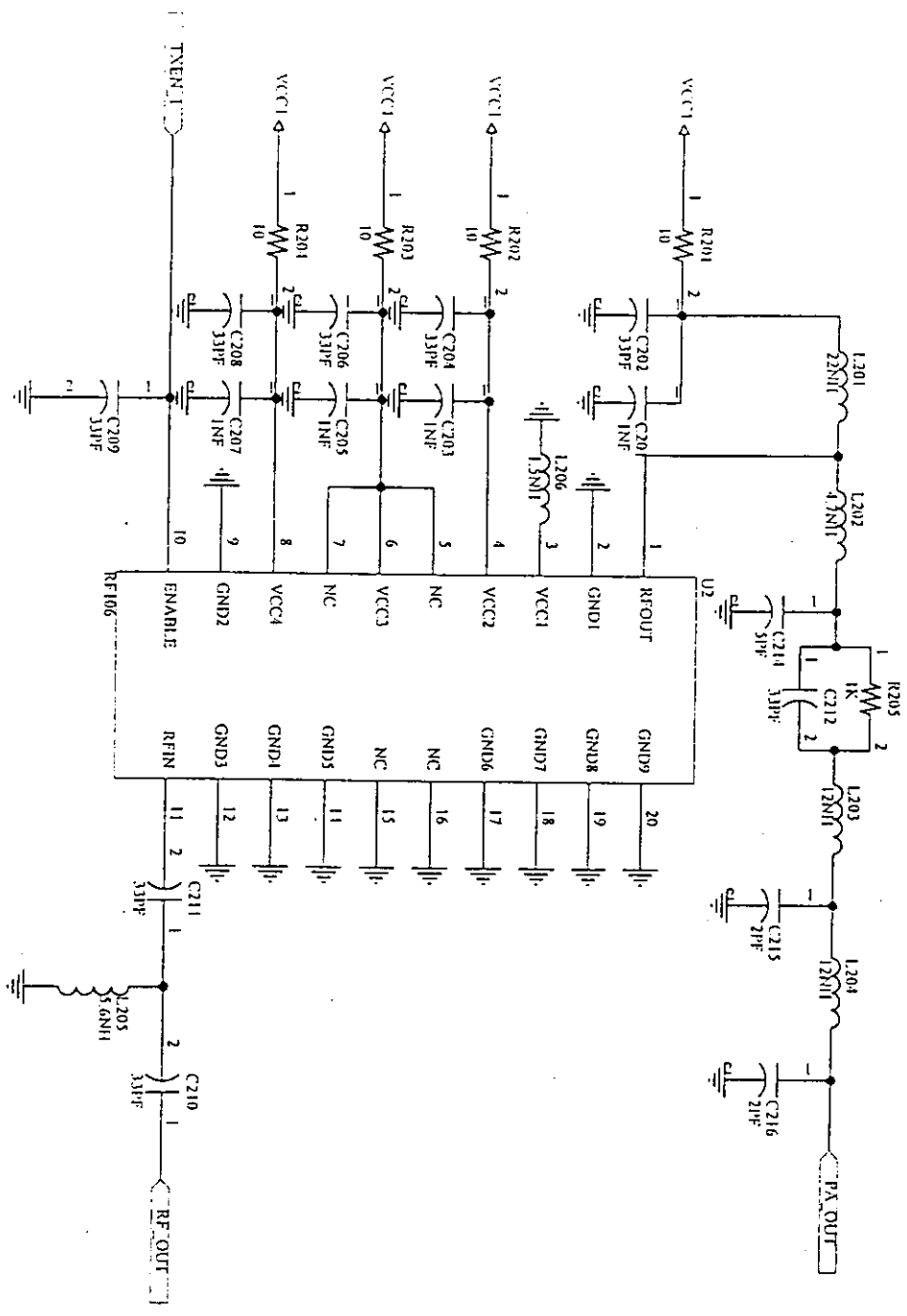


Diater & Business Electronics Co., Ltd.  
 Filing Date: 10-01-1998  
 Model No.: DB-8213-01  
 BOARD No.: JPM-828027-051  
 Document No.: 8213-01-10-1 (BS MAIN BOARD)  
 10



Diaber & Business Electronics Co., Ltd.  
 Filling Date: 02-24-1998  
 Model No.: DB-8213-01  
 BOARD No.: PB-063  
 Doc: DB-8213-01  
 8213-01-10-1 (H/W MAIN BOARD)  
 Monday, December 03, 1998 15:00

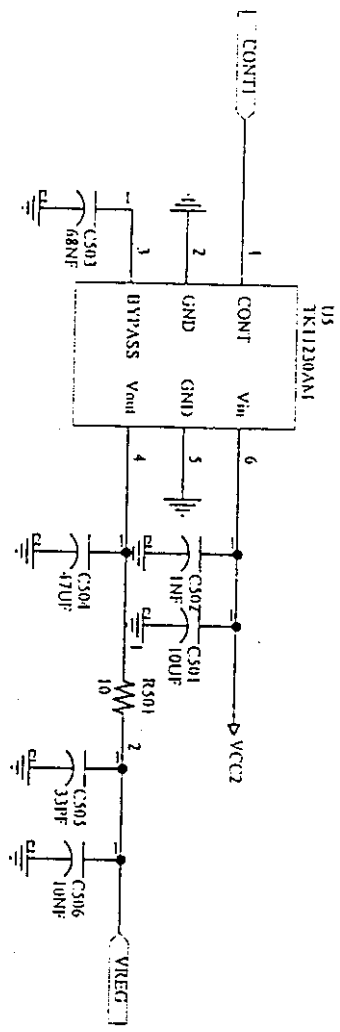




2

3

Title: SST 900MHz RF MODULE  
 Size: A4  
 Number: 1  
 Date: 1-Sep-1998  
 File: C:\NHPDF\TOP1\S5S1900\RF106\2\215.GMIB  
 Sheet of: 1  
 Revision:



Title: SST 900MHz RF MODULE

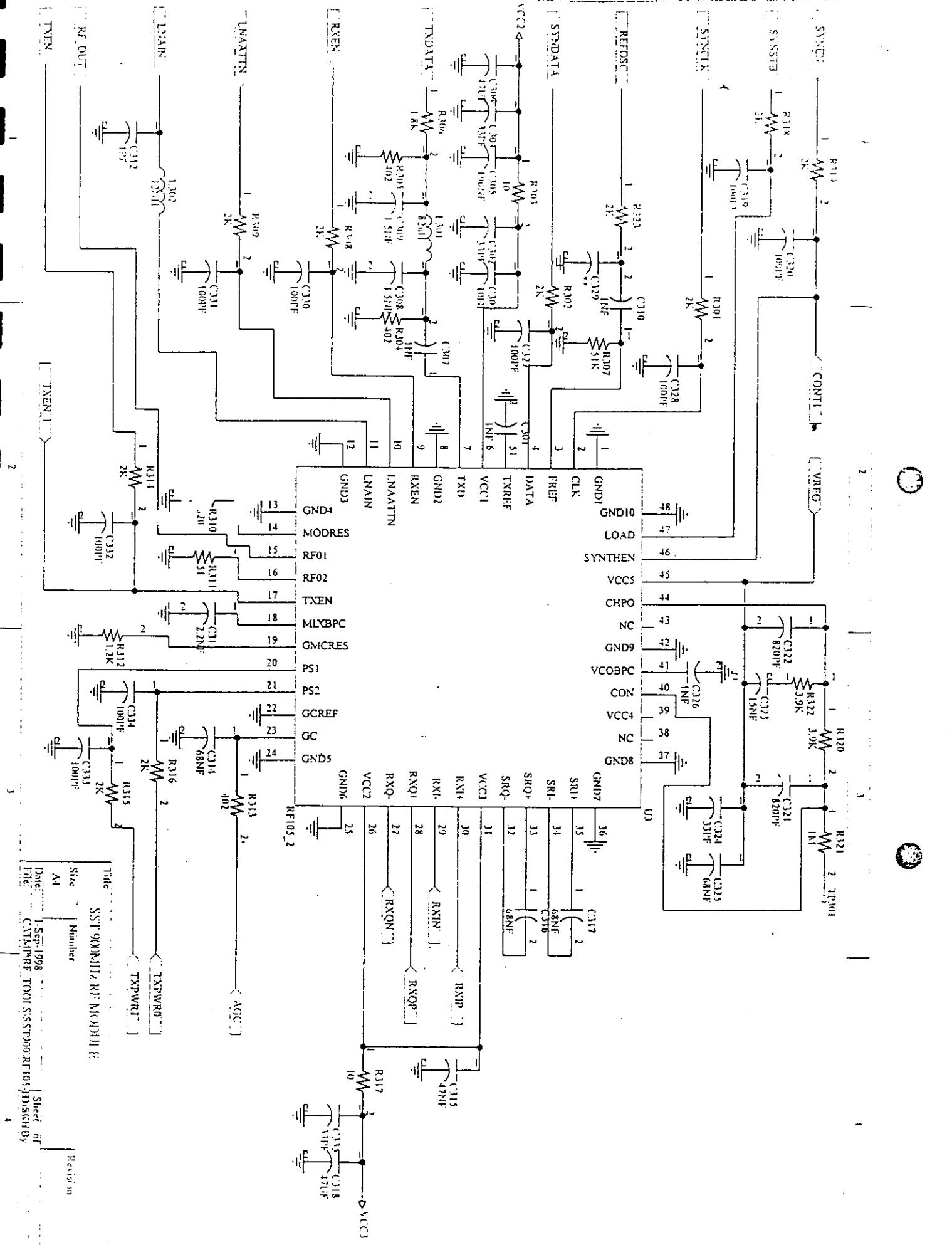
Size: A1

Date: 1-Sep-1998

File: C:\MMPR\TOXX\SST1900\VRFG\RM5GHDY

Revision

Sheet of



Title: SST 90X00112 RF MCH011 E  
 Size: A1  
 Date: 1-SEP-1998  
 File: C:\TMP\RF\_TOOL\S\SST9001\RF105.DSCH.BY  
 Revision: