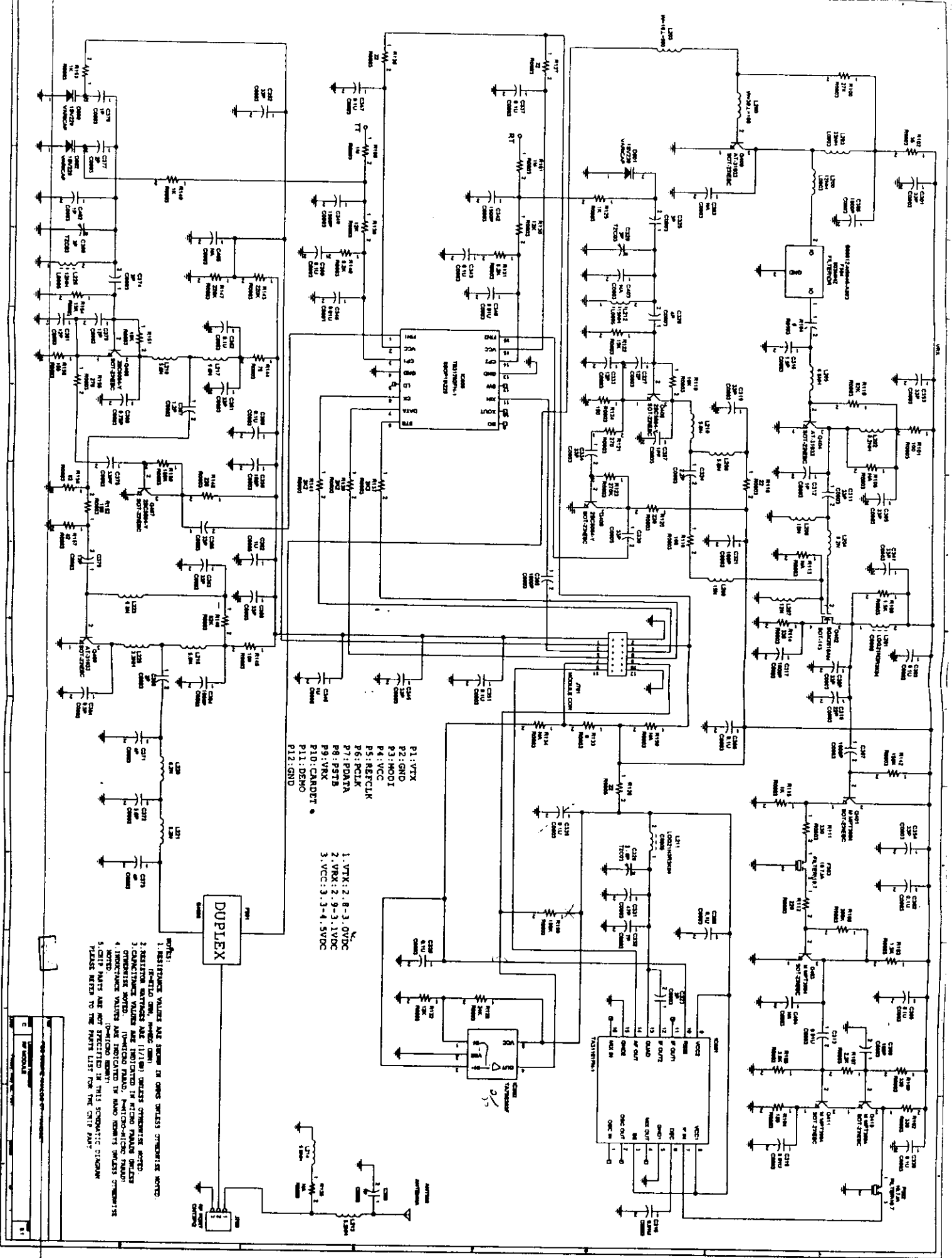


***EXHIBIT D***

***Circuit Diagram***





- P1: VTX
- P2: GND
- P3: MODI
- P4: VCC
- P5: REFCCLK
- P6: PCLK
- P8: PRATA
- P9: PS7B
- P10: CARDET
- P11: DEMO
- P12: GND

- 1. VTX: 2.8-3.0VDC
- 2. VTX: 2.9-3.1VDC
- 3. VCC: 3.3-4.1VDC

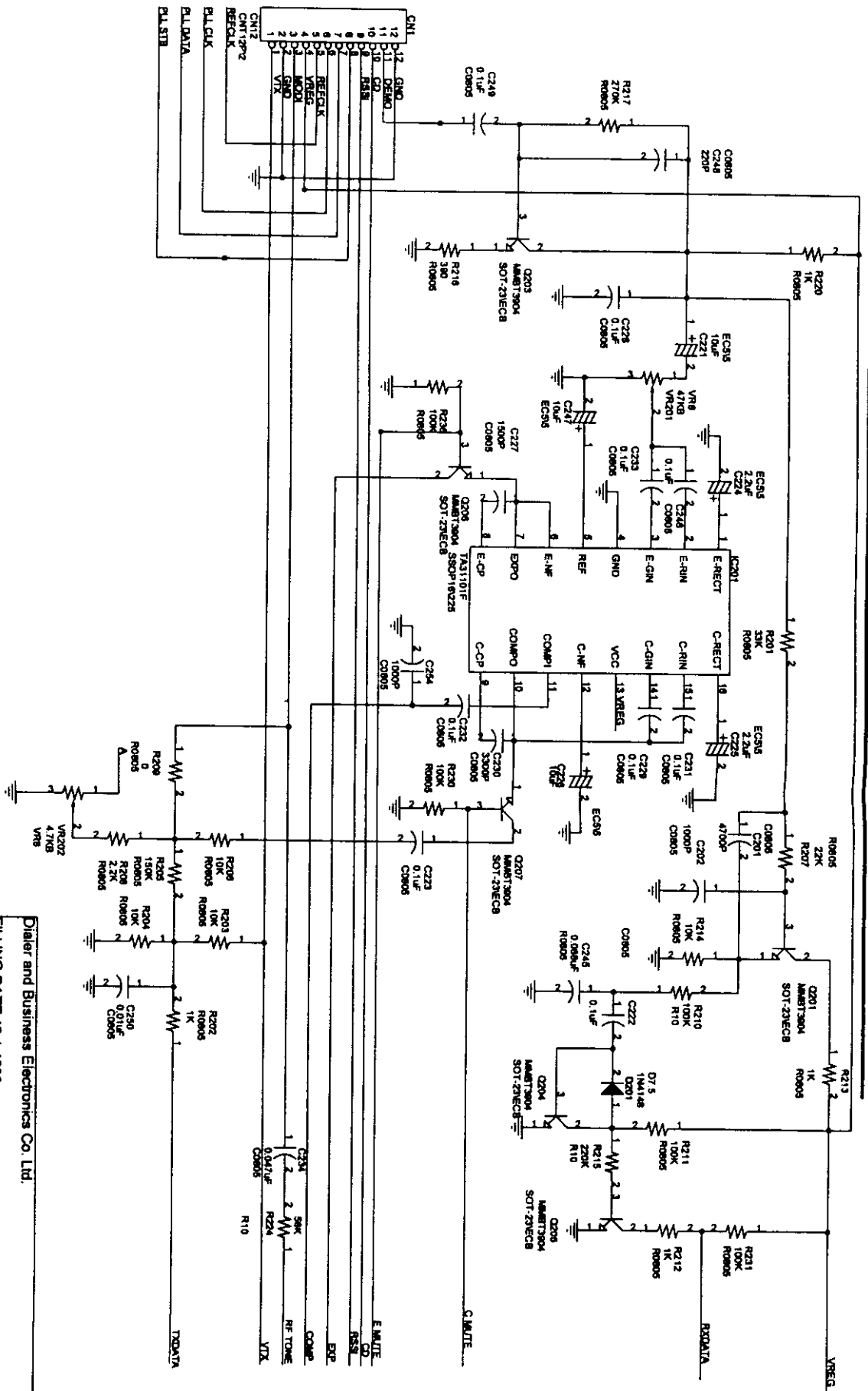
NOTES:

1. RESISTANCE VALUES ARE SHOWN IN OHMS UNLESS OTHERWISE NOTED.
2. RESISTOR RATINGS ARE IN OHMS UNLESS OTHERWISE NOTED.
3. CAPACITANCE VALUES ARE INDICATED IN PICO FARADS UNLESS OTHERWISE NOTED.
4. IMPEDANCE VALUES ARE INDICATED IN OHMS UNLESS OTHERWISE NOTED.
5. CHIP PARTS ARE NOT SPECIFIED IN THIS SCHEMATIC DRAWING. PLEASE REFER TO THE PARTS LIST FOR THE CHIP PART.

DUPLIX

1	RESISTOR	100K
2	RESISTOR	100K
3	RESISTOR	100K
4	RESISTOR	100K
5	RESISTOR	100K
6	RESISTOR	100K
7	RESISTOR	100K
8	RESISTOR	100K
9	RESISTOR	100K
10	RESISTOR	100K
11	RESISTOR	100K
12	RESISTOR	100K
13	RESISTOR	100K
14	RESISTOR	100K
15	RESISTOR	100K
16	RESISTOR	100K
17	RESISTOR	100K
18	RESISTOR	100K
19	RESISTOR	100K
20	RESISTOR	100K
21	RESISTOR	100K
22	RESISTOR	100K
23	RESISTOR	100K
24	RESISTOR	100K
25	RESISTOR	100K
26	RESISTOR	100K
27	RESISTOR	100K
28	RESISTOR	100K
29	RESISTOR	100K
30	RESISTOR	100K
31	RESISTOR	100K
32	RESISTOR	100K
33	RESISTOR	100K
34	RESISTOR	100K
35	RESISTOR	100K
36	RESISTOR	100K
37	RESISTOR	100K
38	RESISTOR	100K
39	RESISTOR	100K
40	RESISTOR	100K
41	RESISTOR	100K
42	RESISTOR	100K
43	RESISTOR	100K
44	RESISTOR	100K
45	RESISTOR	100K
46	RESISTOR	100K
47	RESISTOR	100K
48	RESISTOR	100K
49	RESISTOR	100K
50	RESISTOR	100K
51	RESISTOR	100K
52	RESISTOR	100K
53	RESISTOR	100K
54	RESISTOR	100K
55	RESISTOR	100K
56	RESISTOR	100K
57	RESISTOR	100K
58	RESISTOR	100K
59	RESISTOR	100K
60	RESISTOR	100K
61	RESISTOR	100K
62	RESISTOR	100K
63	RESISTOR	100K
64	RESISTOR	100K
65	RESISTOR	100K
66	RESISTOR	100K
67	RESISTOR	100K
68	RESISTOR	100K
69	RESISTOR	100K
70	RESISTOR	100K
71	RESISTOR	100K
72	RESISTOR	100K
73	RESISTOR	100K
74	RESISTOR	100K
75	RESISTOR	100K
76	RESISTOR	100K
77	RESISTOR	100K
78	RESISTOR	100K
79	RESISTOR	100K
80	RESISTOR	100K
81	RESISTOR	100K
82	RESISTOR	100K
83	RESISTOR	100K
84	RESISTOR	100K
85	RESISTOR	100K
86	RESISTOR	100K
87	RESISTOR	100K
88	RESISTOR	100K
89	RESISTOR	100K
90	RESISTOR	100K
91	RESISTOR	100K
92	RESISTOR	100K
93	RESISTOR	100K
94	RESISTOR	100K
95	RESISTOR	100K
96	RESISTOR	100K
97	RESISTOR	100K
98	RESISTOR	100K
99	RESISTOR	100K
100	RESISTOR	100K

# 689 B/U COMPASOR SCHEMATIC

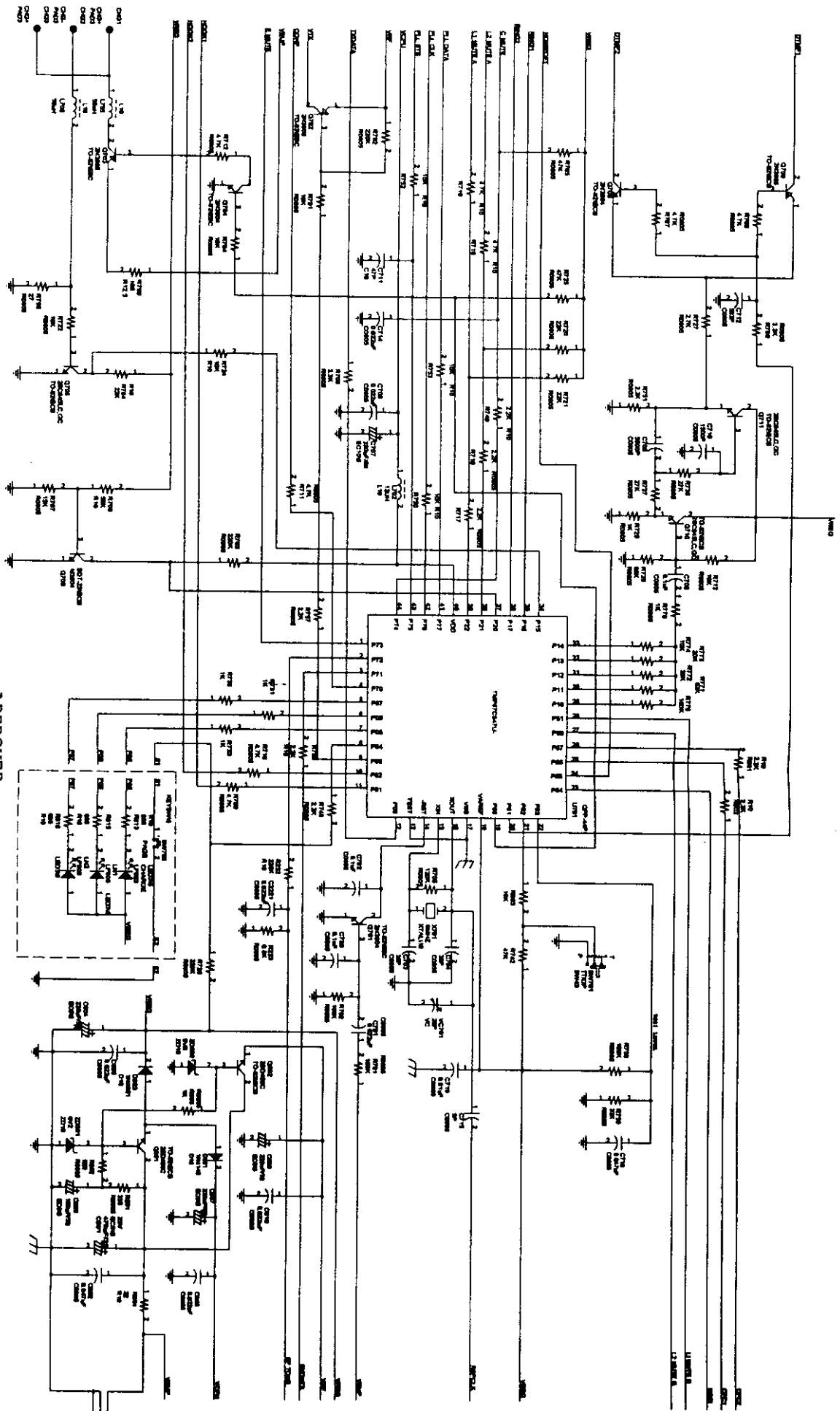


## NOTES

- 1. All resistance values are indicated in Ohm's (K=1000 Ohm, M=1000 Kohm)
- 2. All capacitance values are indicated in uF (p=100-6 uF)

Diater and Business Electronics Co. Ltd.	
FILING DATE: 12-1-1998	
Model Number: 43-689 BASE UNIT	
PCB:	
689 B/U COMPASOR SCHEMATIC	
Title	689 B/U COMPASOR SCHEMATIC
Size	Document Number
A	8212-00000
Date:	Wednesday, June 10, 1998
Sheet	1 of 5
Rev	0

689 B/U MPU CONTROL SCHEMATIC



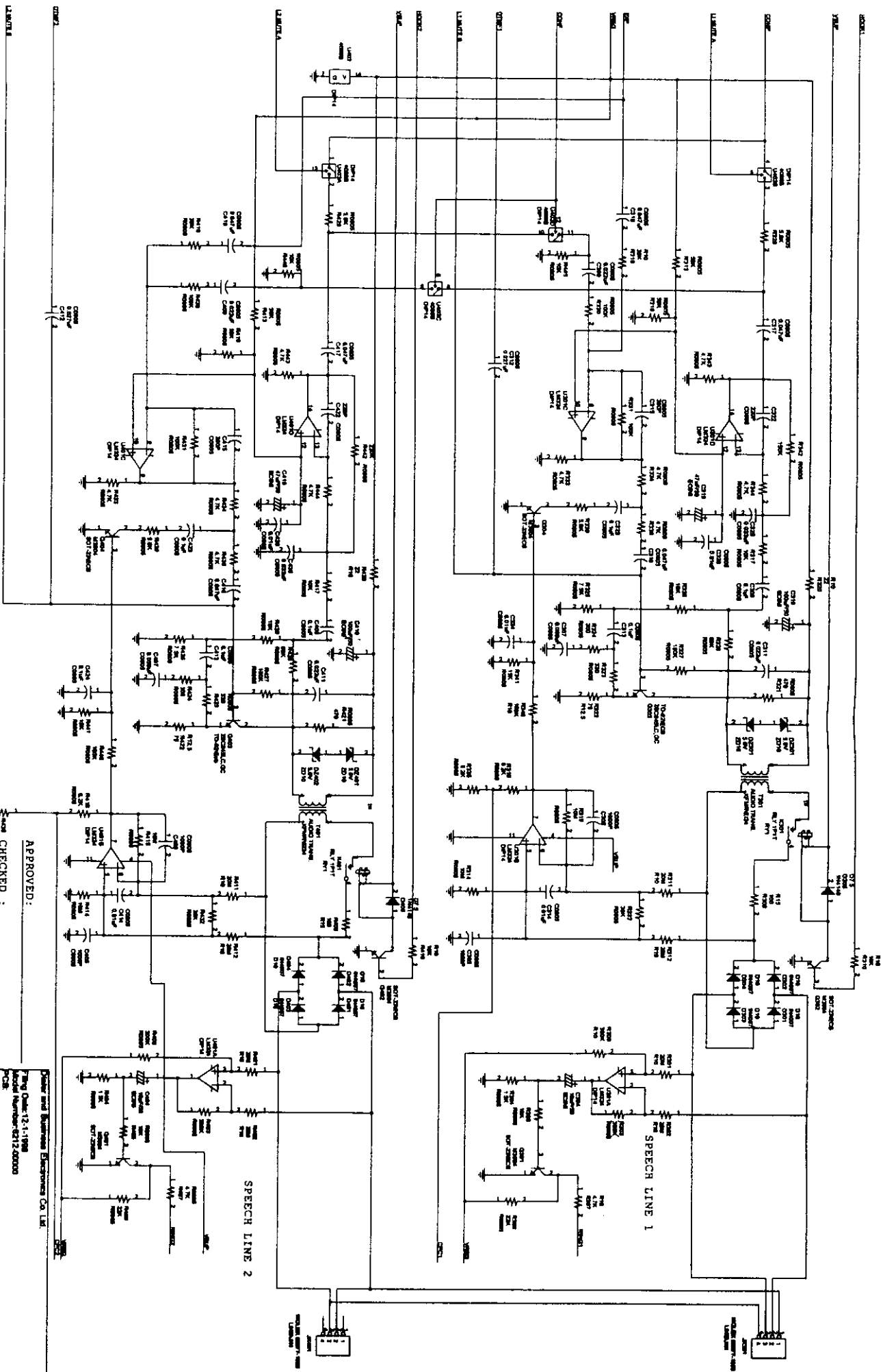
APPROVED:

CHECKED:

PREPARED:

Order and Business Electronics Co. Ltd.  
 Ring Date: 12-1-1988  
 Serial Number: 212-00000  
 PCB  
 689 B/U MPU CONTROL SCHEMATIC  
 Document Number: 43-000  
 43-000 Rev. 0  
 Date: 12-1-1988

# 689 LINE INTERFACE SCHEMATIC



APPROVED:

CHECKED :

PREPARED:

Order and Business Engineering Co. Ltd.

7777 Oak 12-1-1988

Model Number-6812.00000

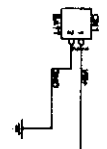
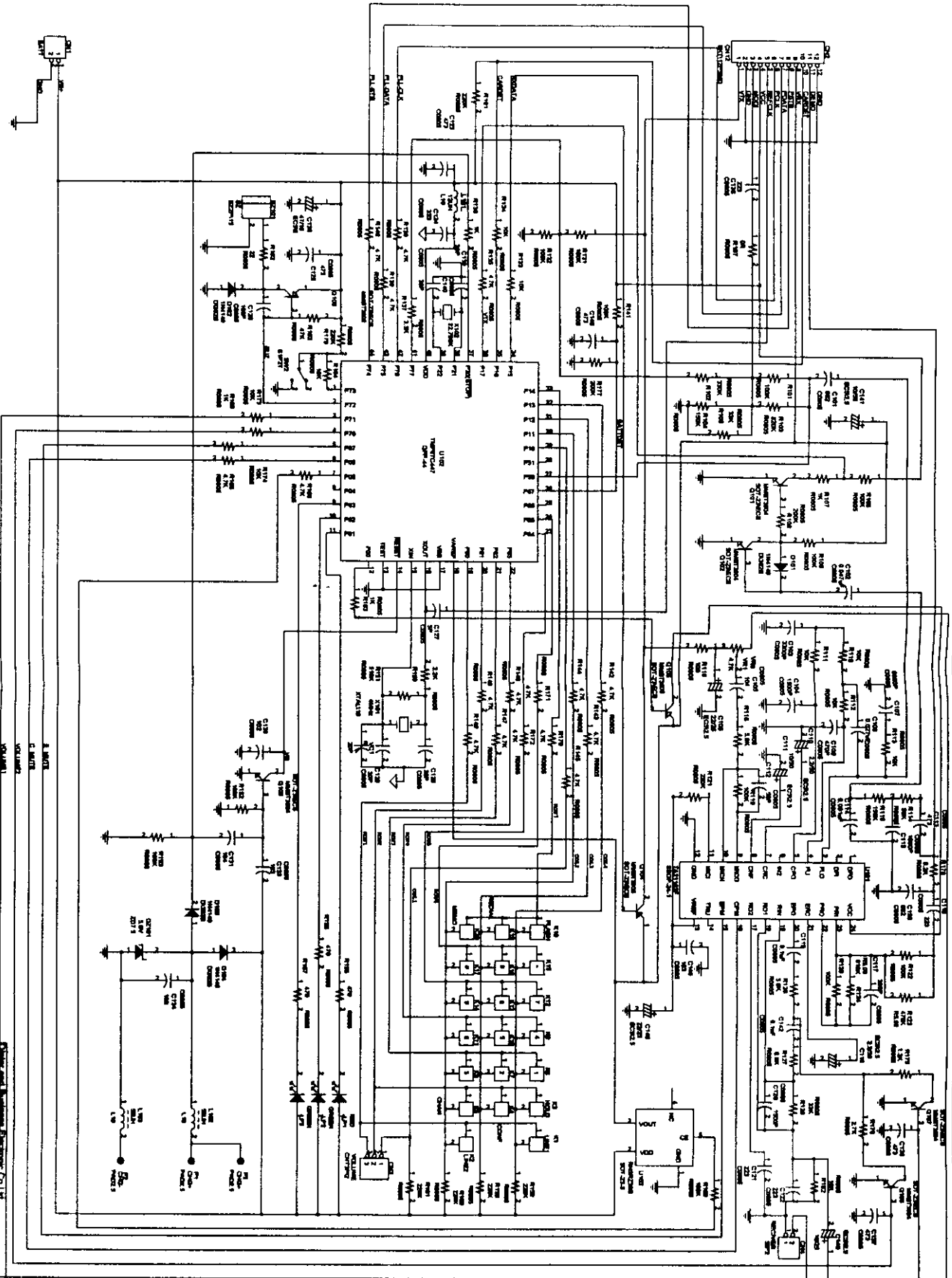
Doc

689 BU LINE INTERFACE SCHEMATIC

Document Number

43-488

WINDING, APR. 10, 1988



100V AC  
 0.01  
 0.001  
 0.0001  
 100P  
 100N  
 100K  
 10K  
 1M  
 100Ω

APPROVED: \_\_\_\_\_

CHECKED: \_\_\_\_\_

PREPARED: \_\_\_\_\_

Approved Signature: \_\_\_\_\_  
 Title: \_\_\_\_\_  
 Date: \_\_\_\_\_  
 Model No.: AAASB  
 Part No.: \_\_\_\_\_  
 Revision: \_\_\_\_\_  
 Document Number: \_\_\_\_\_  
 Date: \_\_\_\_\_  
 Title: AAASB HARVEST SCHEMATIC  
 Part No.: \_\_\_\_\_  
 Document Number: \_\_\_\_\_  
 Date: \_\_\_\_\_