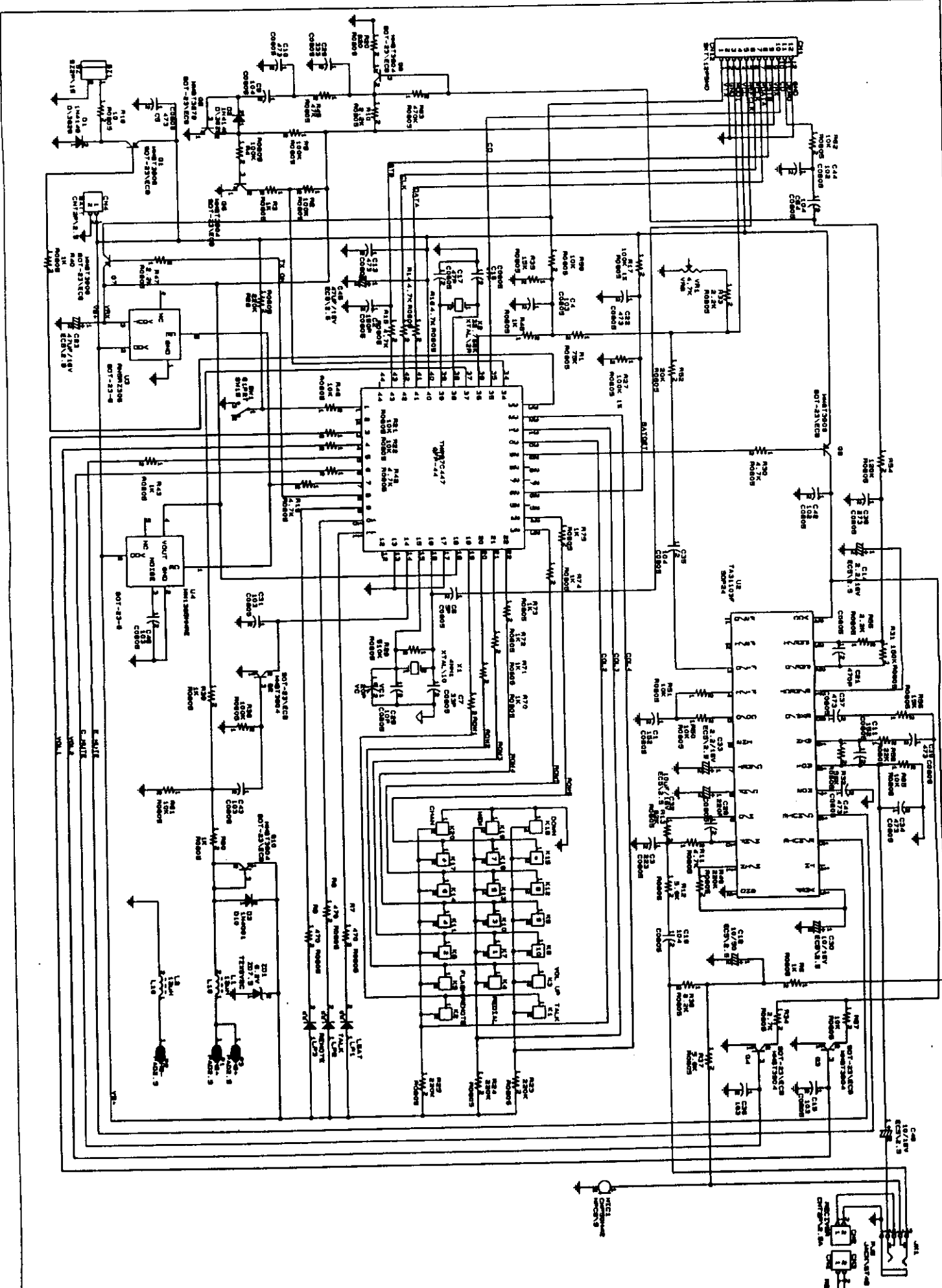
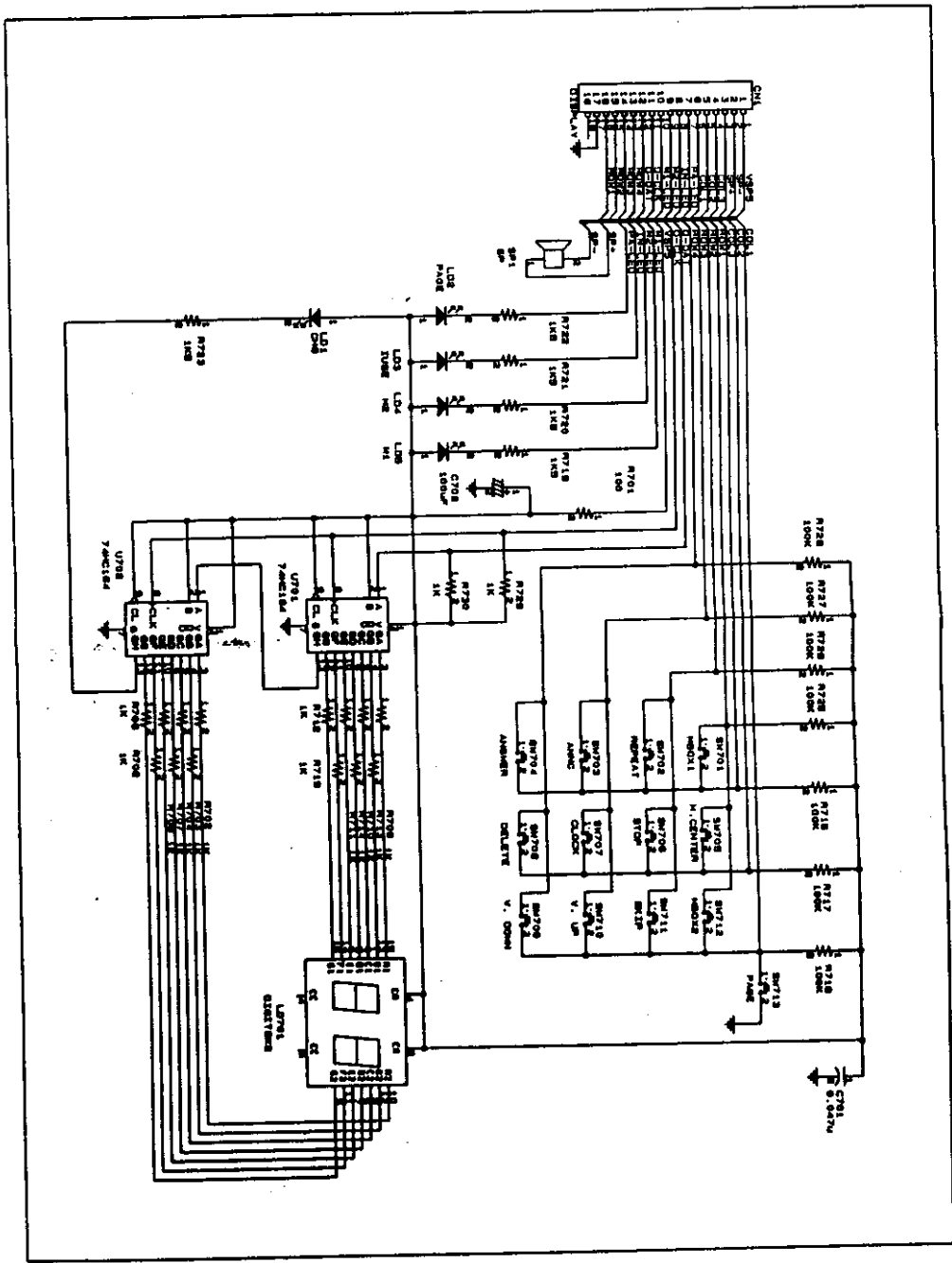
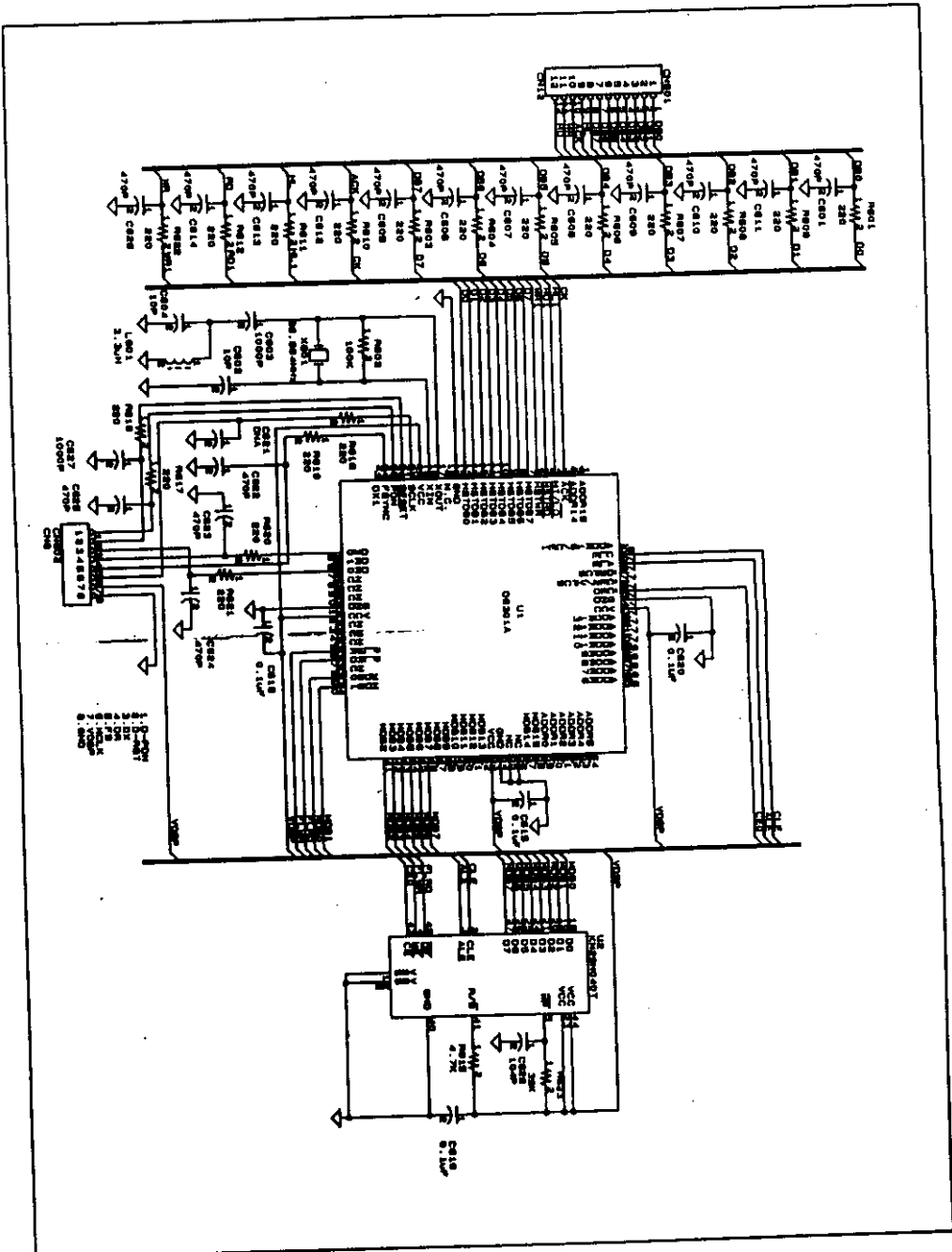


***EXHIBIT D***

***Circuit Diagram***





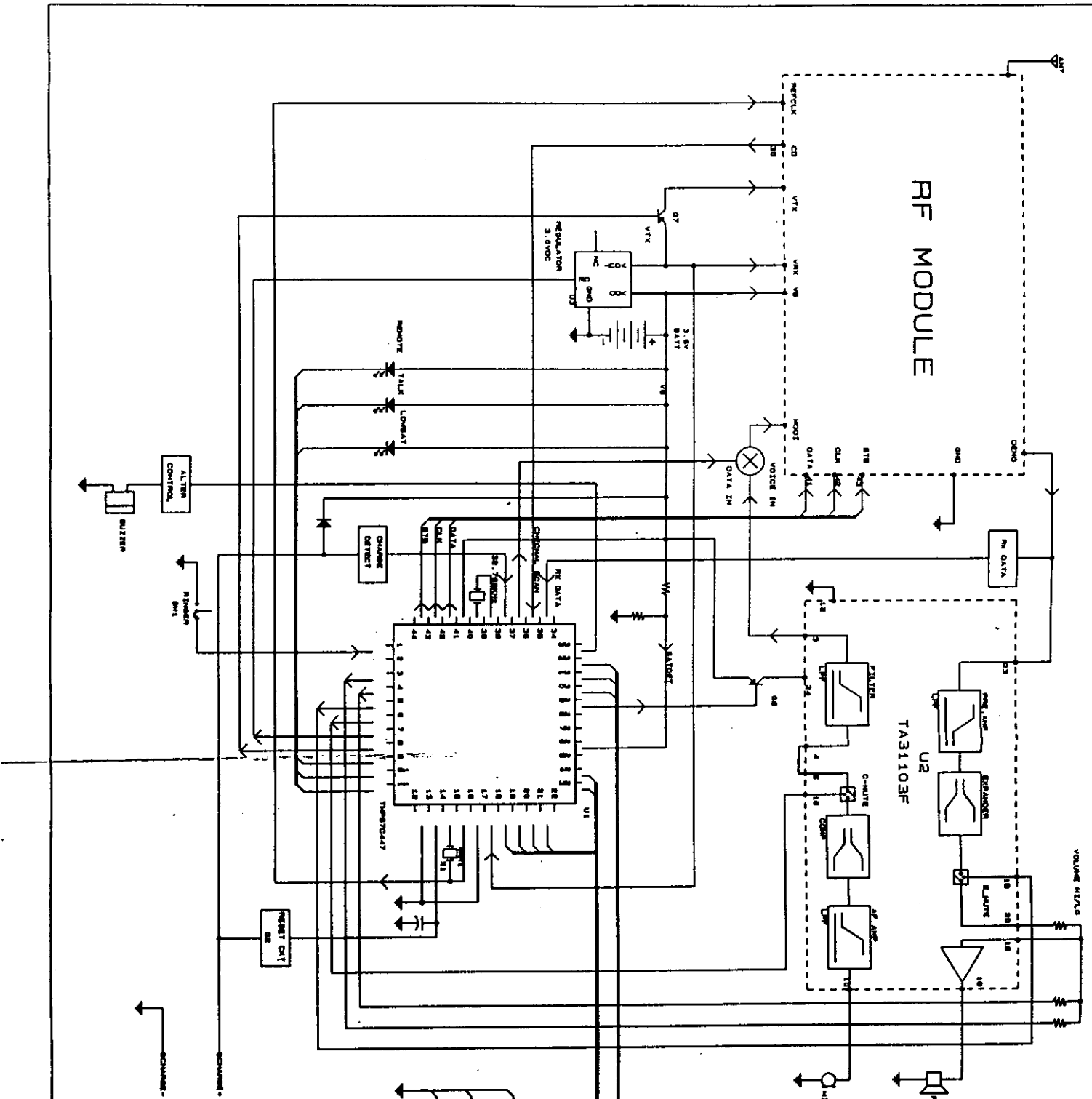




***EXHIBIT E***

***Block Diagram***

# RF MODULE



## MPU PIN ASSIGNMENT

|    |             |    |                |
|----|-------------|----|----------------|
| 1  | RENUMBER SW | 23 | PHONE          |
| 2  | N.C.        | 24 | PHONE          |
| 3  | VOL.1       | 25 | N.C.           |
| 4  | VOL.2       | 26 | N.C.           |
| 5  | CLARTE      | 27 | BATT. LMT      |
| 6  | CLARTE      | 28 | N.C.           |
| 7  | CLARTE      | 29 | N.C.           |
| 8  | VTR. LMT    | 30 | CONV. LMT      |
| 9  | REMODELLED  | 31 | CONV.2         |
| 10 | TALK. LMT   | 32 | CONV.3         |
| 11 | CONV. LMT   | 33 | ALTRN. CONTROL |
| 12 | N.C.        | 34 | N.C.           |
| 13 | TEST        | 35 | CD             |
| 14 | REMIT       | 36 | TR. DATA       |
| 15 | REN. LMT    | 37 | CHG. DRT.      |
| 16 | MULTIPLY    | 38 | REN. LMT       |
| 17 | VTR. LMT    | 39 | REN. LMT       |
| 18 | VTR. LMT    | 40 | VOIC. IN       |
| 19 | PHONE       | 41 | DATA           |
| 20 | PHONE       | 42 | CLX            |
| 21 | PHONE       | 43 | STR            |
| 22 | PHONE       | 44 | N.C.           |

## KEY PAD

|       |   |   |   |        |       |
|-------|---|---|---|--------|-------|
| ALTER | 0 | 9 | 0 | VOLUME | TALK  |
| NUM   | 7 | 8 | 3 | 1      | REMIT |
| CHG   | 6 | 4 | 5 | PHONE  | REMIT |

