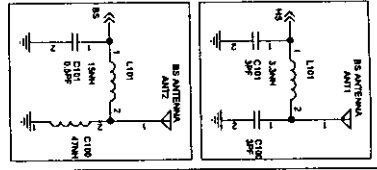
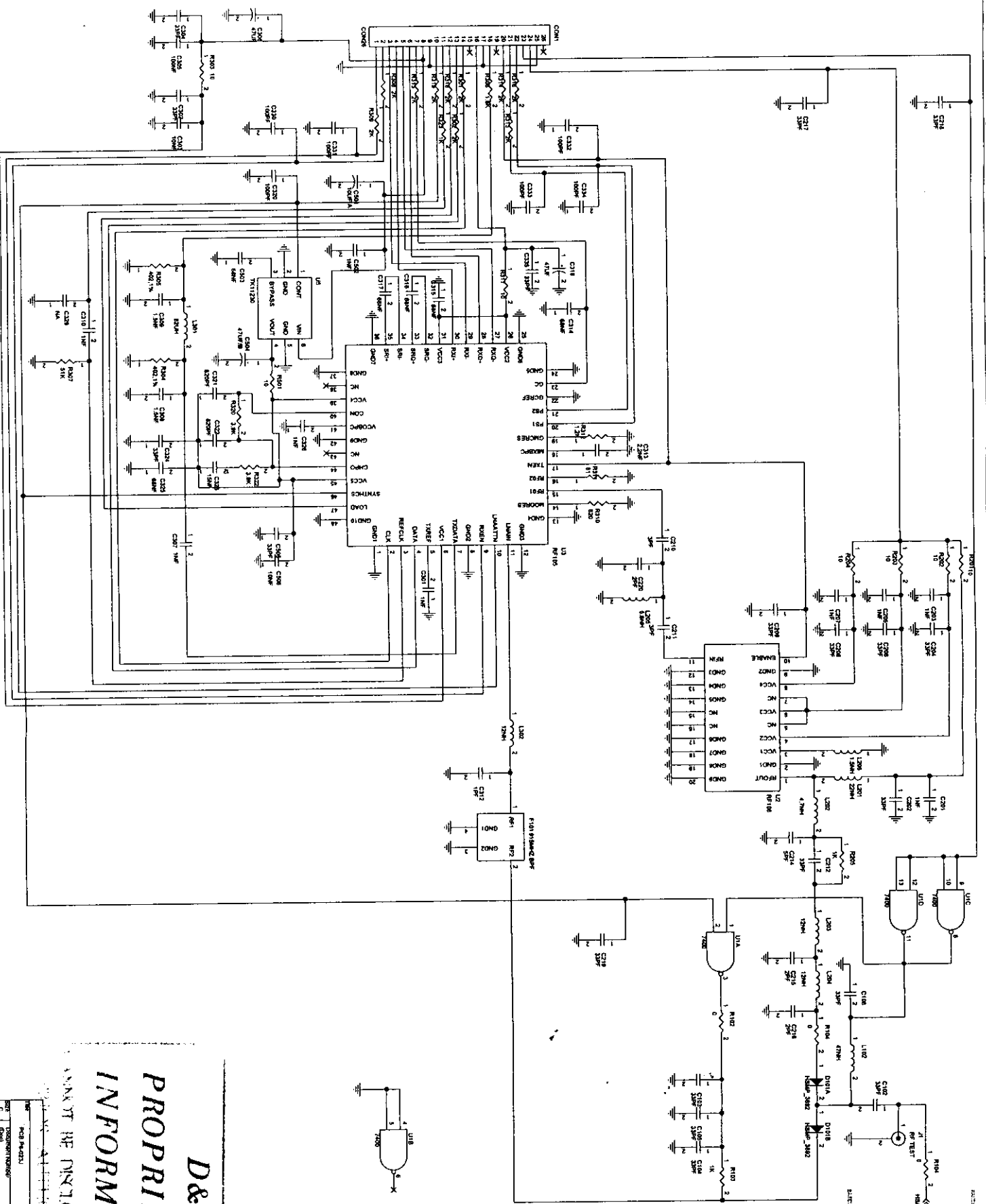


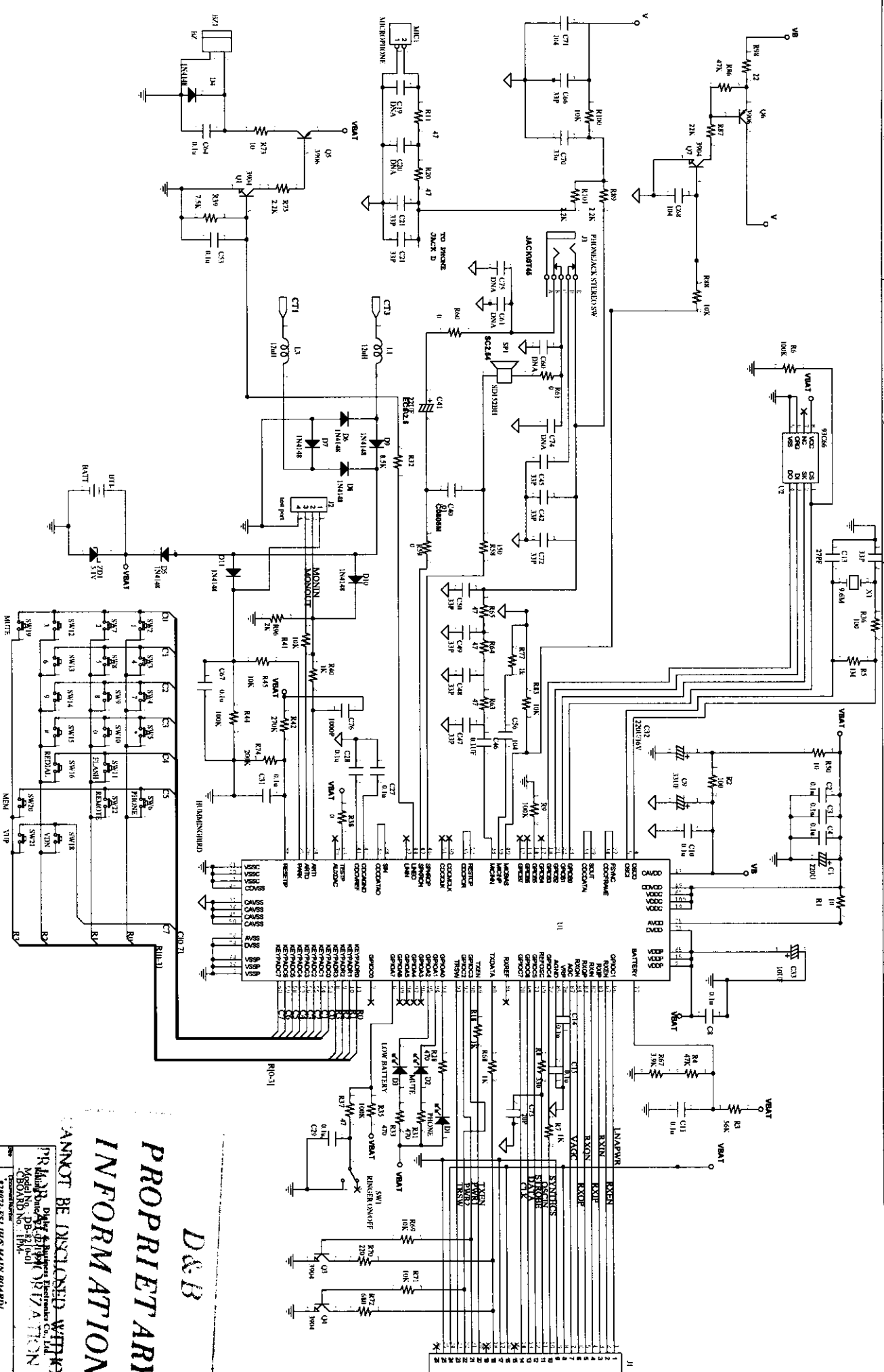
***EXHIBIT D***  
***Circuit Diagram***



**D&B**  
**PROPRIETARY**  
**INFORMATION**

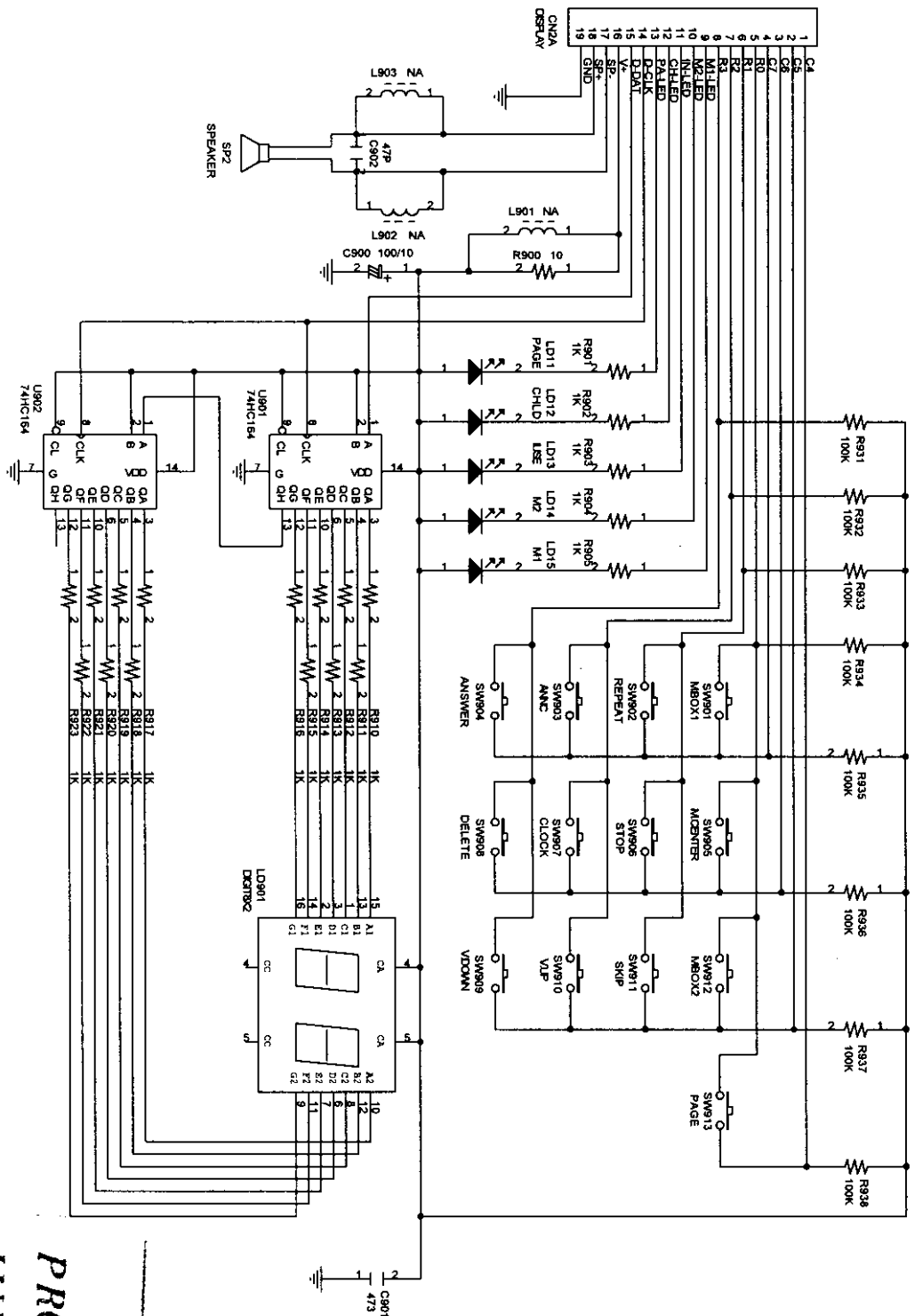
DO NOT BE DISTURBED WITH

REV	REV	REV	REV
1	2	3	4
1	2	3	4
1	2	3	4



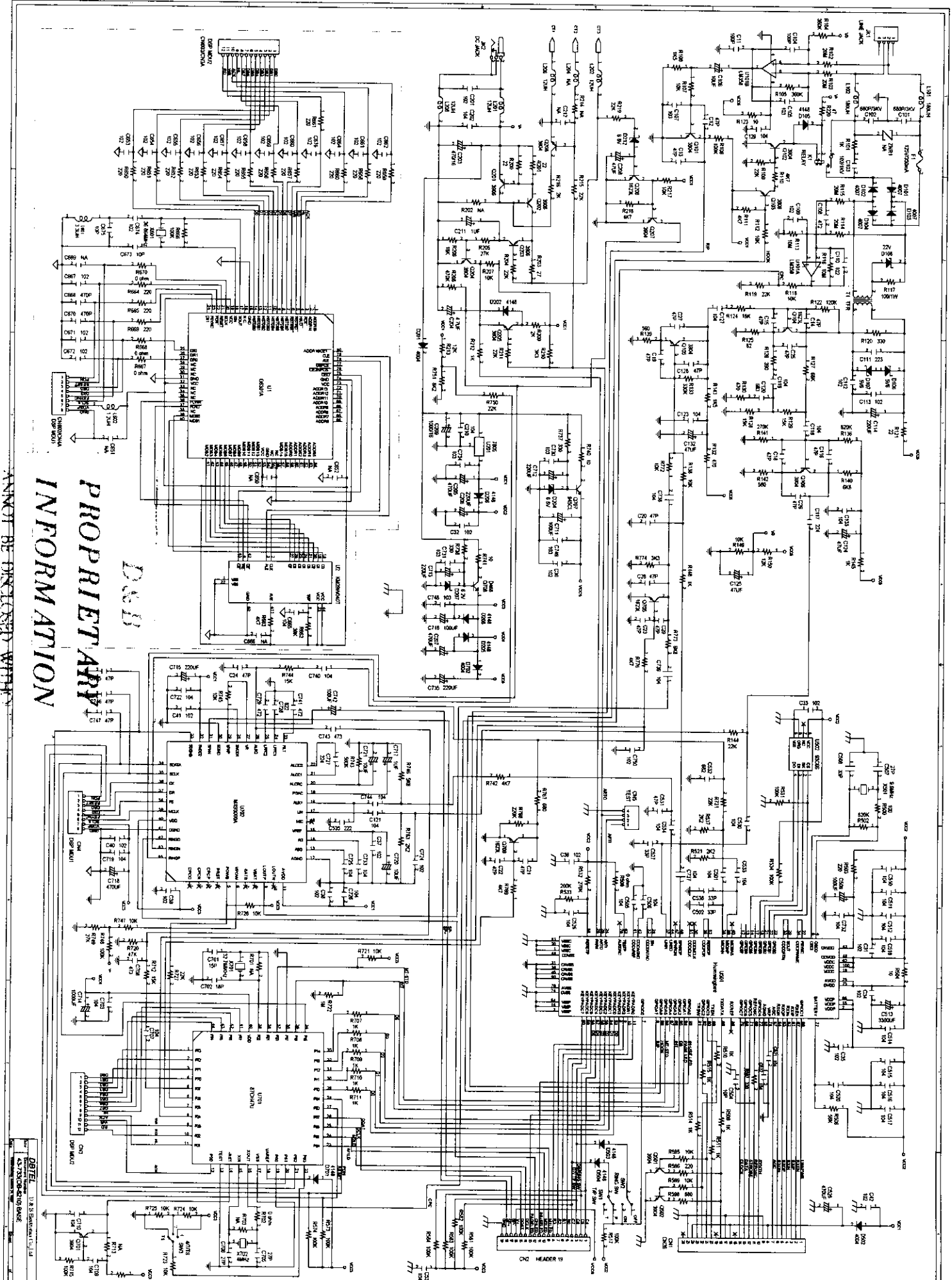
**D & B**  
**PROPRIETARY**  
**INFORMATION**

CANNOT BE DISCLOSED WITHOUT  
 THE WRITTEN PERMISSION OF  
 D & B ELECTRONIC CORP.  
 21007-1551 / H/S MAIN BOARD



**D & B**  
**PROPRIETARY**  
**INFORMATION**

ANNOT BE DISCLOSED WITHIN



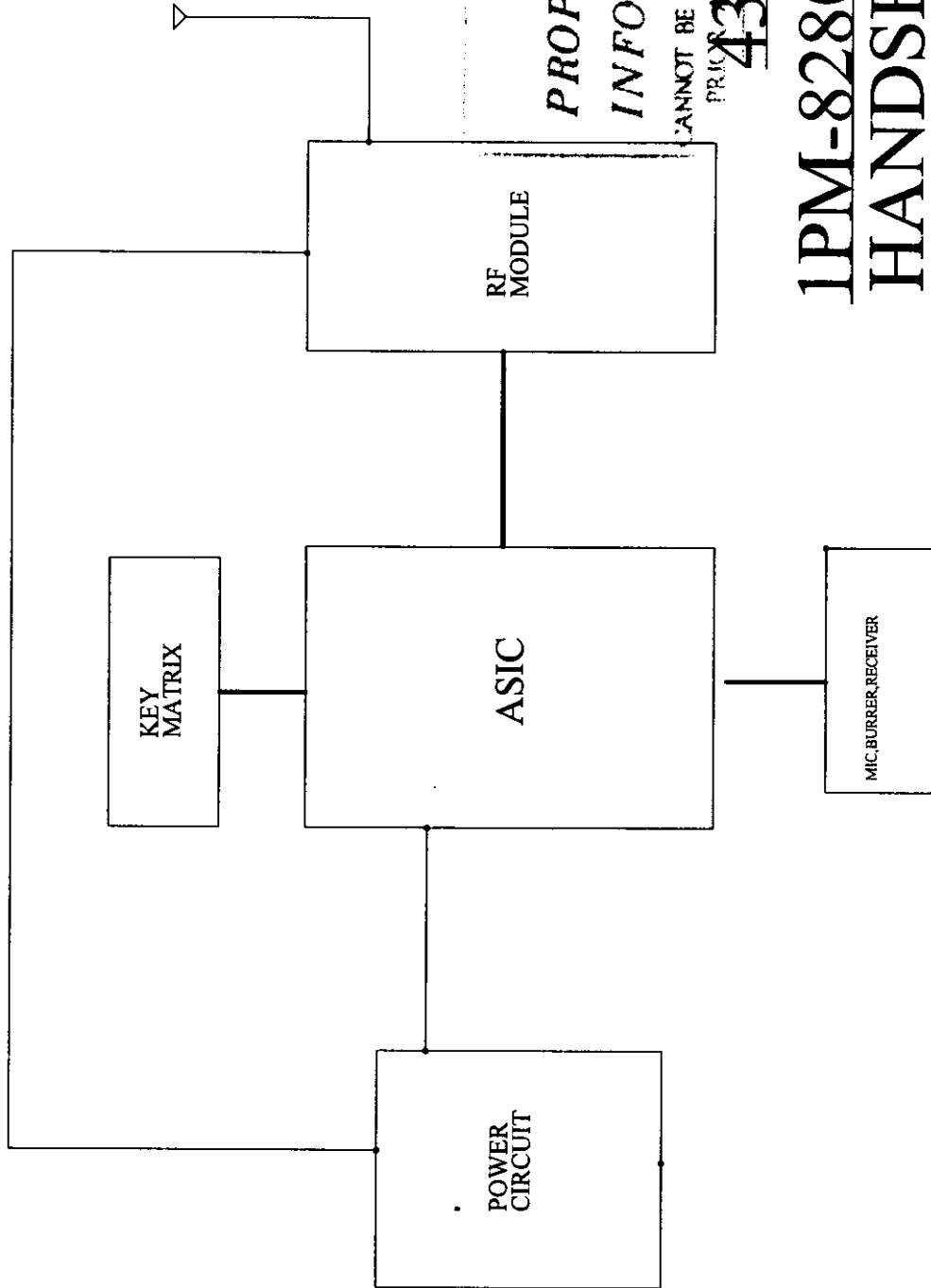
**PROPRIETARY**  
**INFORMATION**

NOT BE DISCLOSED WITH  
 OTHER AUTHORITY

DATE: 11-28-64  
 DRAWN BY: [illegible]  
 CHECKED BY: [illegible]

***EXHIBIT E***

***Block Diagram***

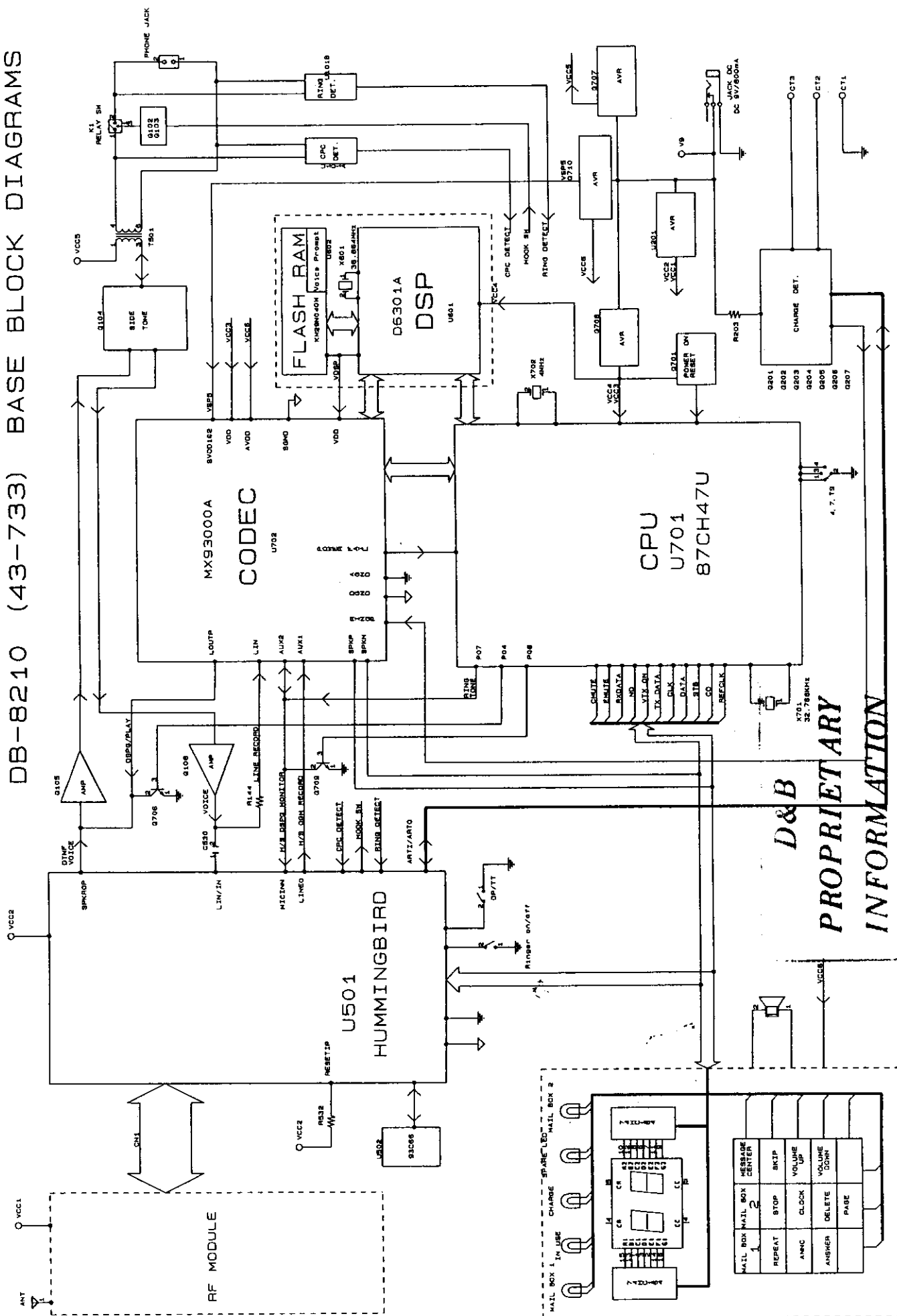


*D&B*  
**PROPRIETARY  
INFORMATION**

CANNOT BE DISCLOSED WITHOUT  
PERMISSION FROM:  
**43-733**

# **1PM-828073-F51 HANDSET BLOCK DIAGRAM**

# DB-8210 (43-733) BASE BLOCK DIAGRAMS



**D&B**  
**PROPRIETARY**  
**INFORMATION**

1. CANNOT BE DISCLOSED WITHOUT  
 PRIOR AUTHORIZATION

