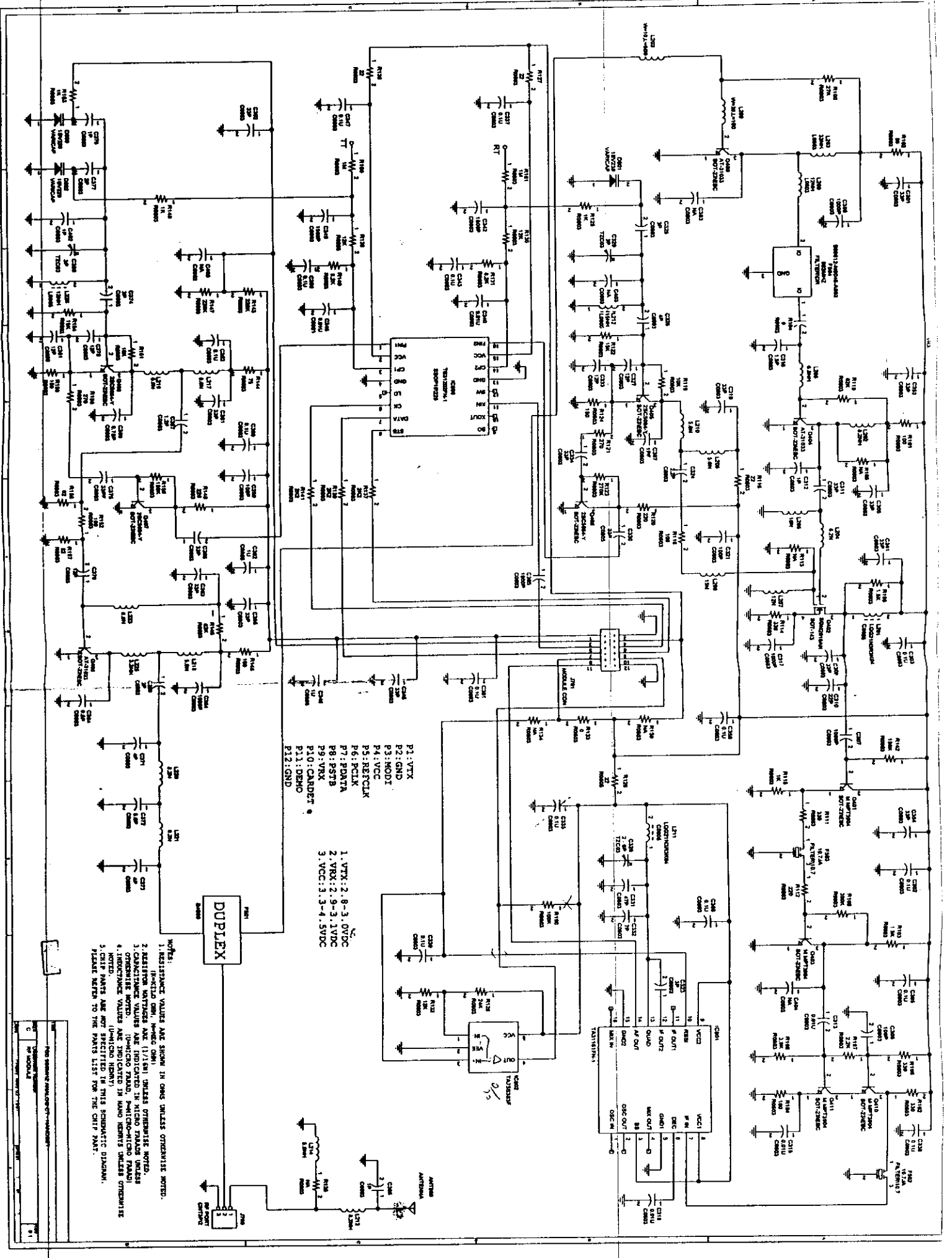


EXHIBIT E
Block Diagram



- P1: VTX
- P2: GND
- P3: MODI
- P4: VCC
- P5: REFCLK
- P6: PCLK
- P7: PDATA
- P8: PSTRB
- P9: VRX
- P10: CARDET
- P11: DEMO
- P12: GND

- 1. VTX: 2.8-3.0VDC
- 2. VRX: 2.9-3.1VDC
- 3. VCC: 3.3-4.5VDC

NOTES:

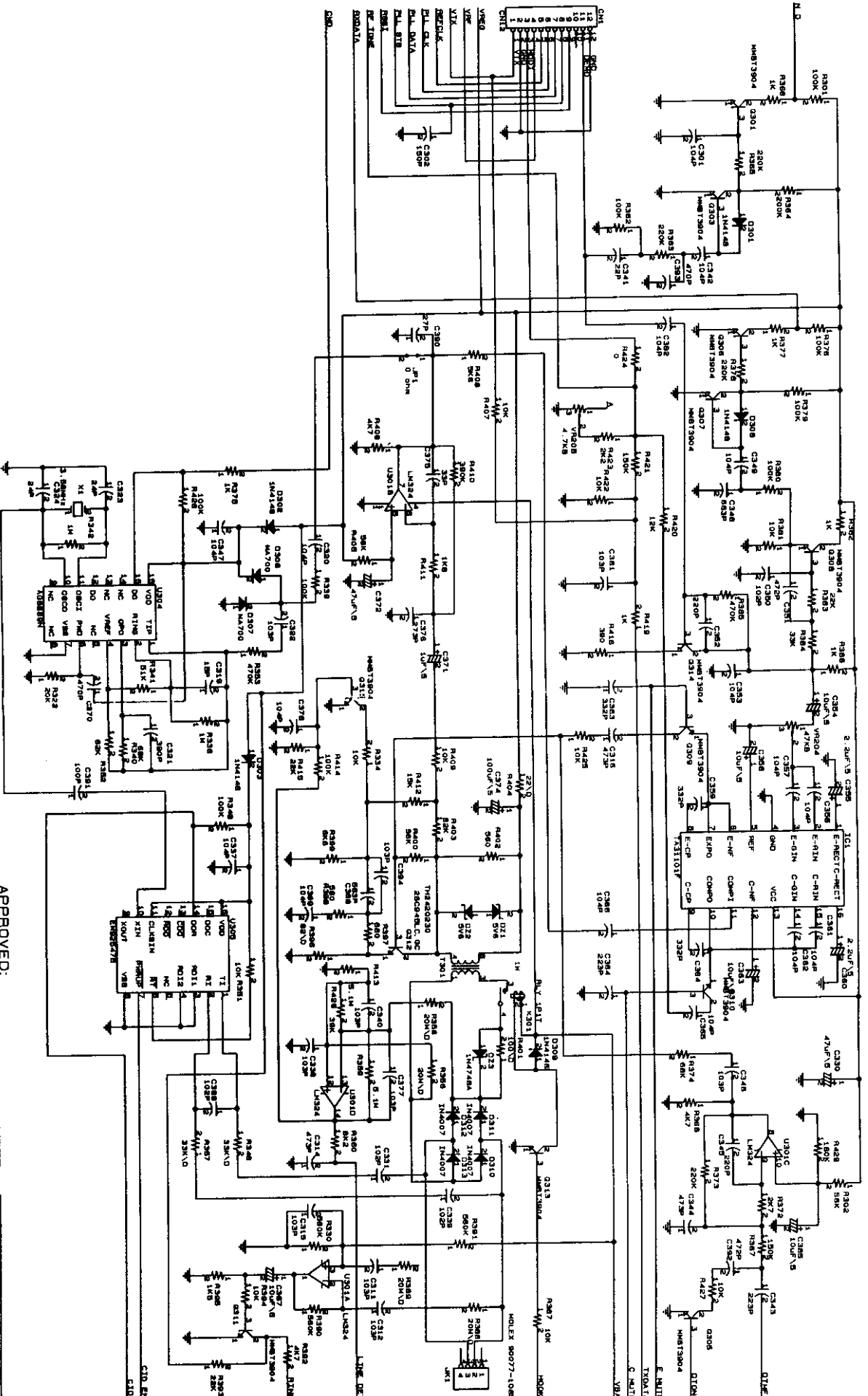
1. RESISTANCE VALUES ARE SHOWN IN OHMS UNLESS OTHERWISE NOTED.
2. RESISTOR VALUES ARE (1/2)W 1% UNLESS OTHERWISE NOTED.
3. CAPACITANCE VALUES ARE INDICATED IN MICRO FARADS UNLESS OTHERWISE NOTED.
4. CAPACITANCE VALUES ARE INDICATED IN PICO FARADS UNLESS OTHERWISE NOTED.
5. CHIP PARTS ARE NOT SPECIFIED IN THIS SCHEMATIC DIAGRAM.

PLEASE REFER TO THE PARTS LIST FOR THE CHIP PART.

DUPLEX

REV	DESCRIPTION	DATE
1	INITIAL DESIGN	10/1/00
2	REVISED FOR MANUFACTURE	10/15/00
3	REVISED FOR MANUFACTURE	10/20/00

DB-8132 BASE UNIT AUDIO & LINE INTERFACE SCHEMATIC



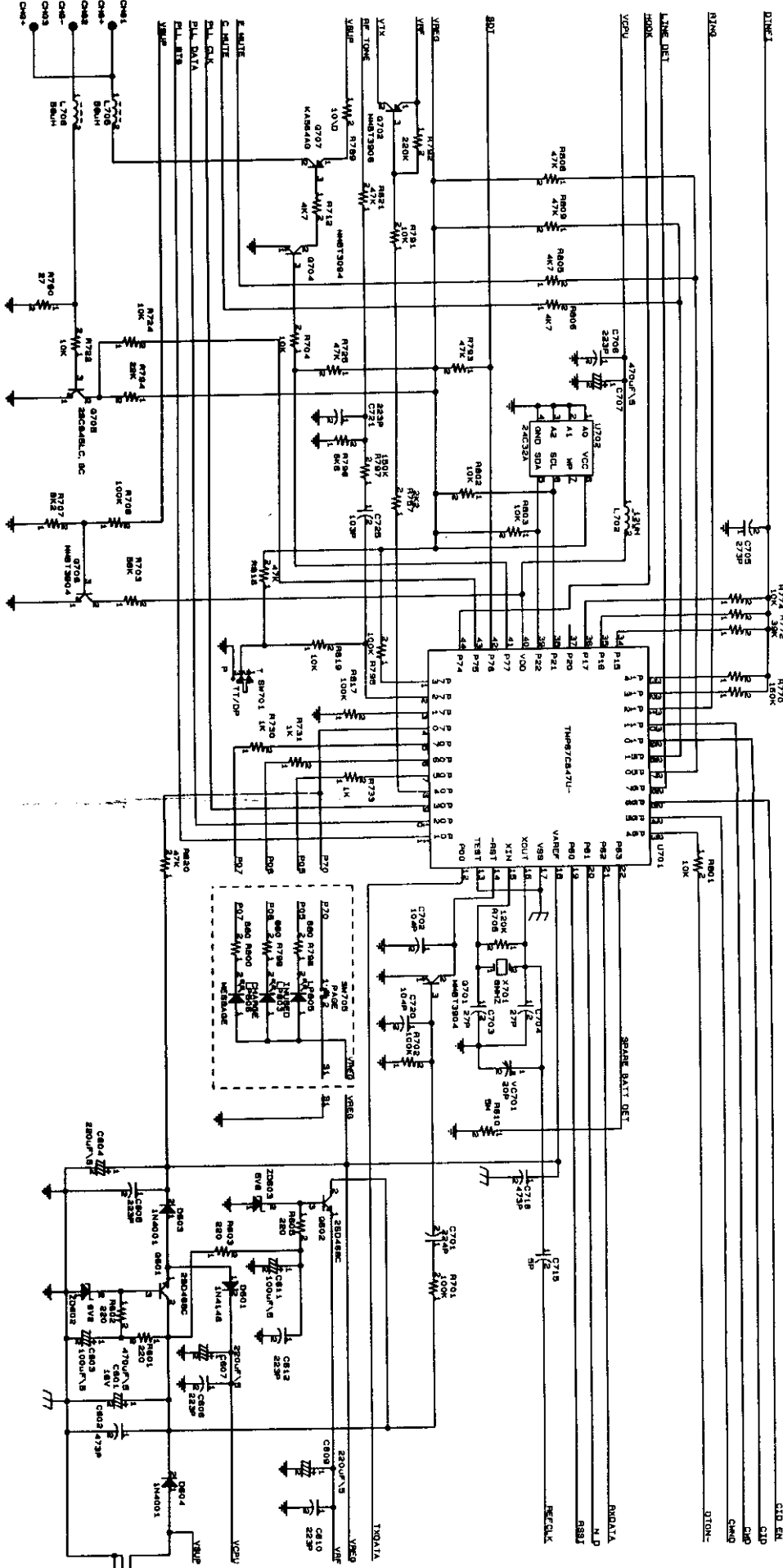
APPROVED:

CHECKED:

PREPARED:

Orlin and Business Electronics Co.
 FILING DATE: 10-28-78
 DRAWING NUMBER: DB-8132-0000
 TITLE: BASE UNIT LINE INTERFACE
 PREPARED BY: [Signature]
 CHECKED BY: [Signature]
 APPROVED BY: [Signature]

8132 BASE UNIT MPU CONTROL SCHEMATIC



APPROVED: _____

CHECKED : _____

PREPARED: _____

Oster and Business Electronics Co.
 PULLING ORE 18-4110
 1800 S. 10TH ST.
 P.O. BOX 18072-CENT
 FILE # 8132-0000-001
 BASE UNIT MPU SCHEMATIC
 REFERENCE NUMBER DB-8132-0000
 DATE: OCTOBER 1, 1983