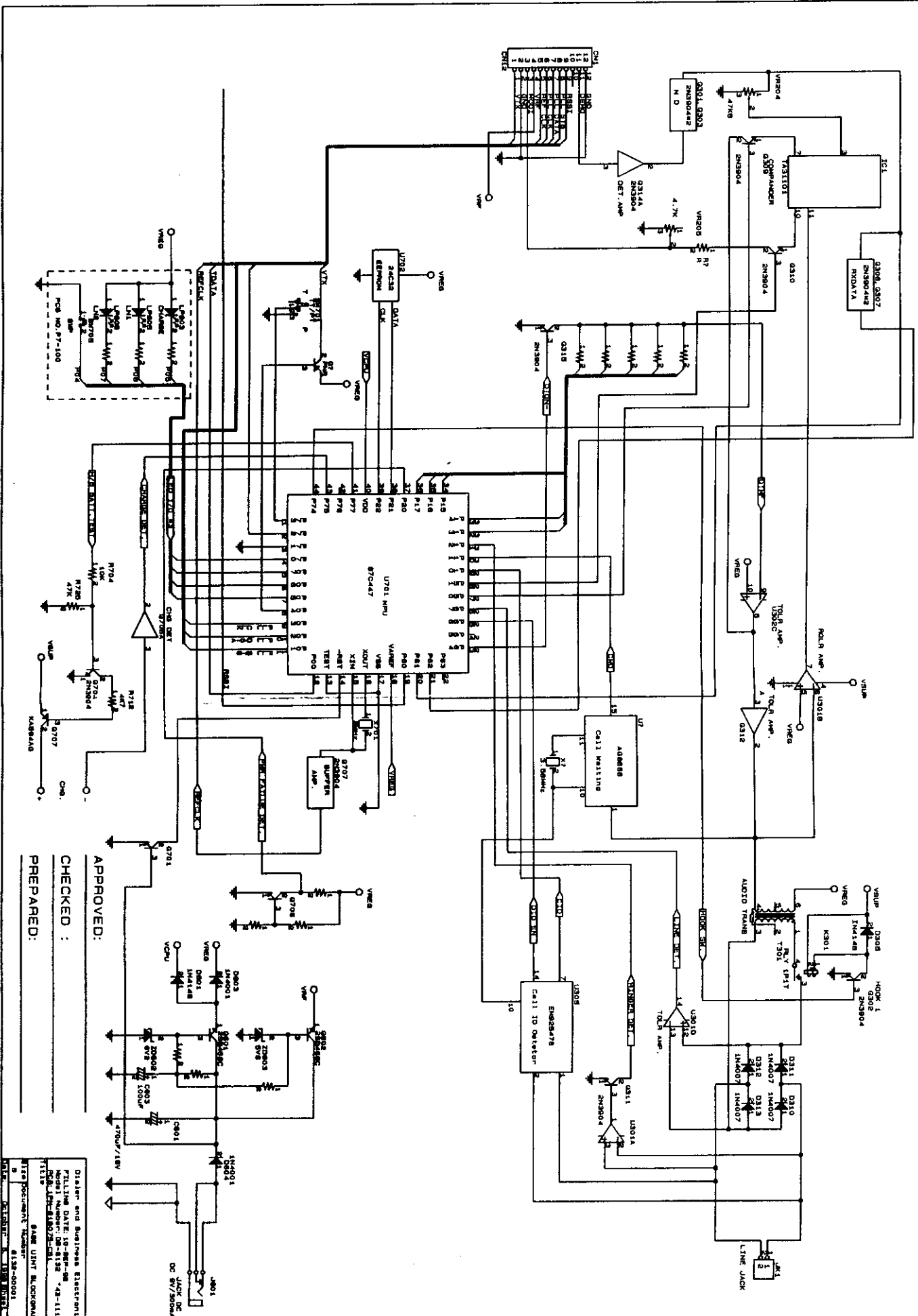


EXHIBIT D

Circuit Diagram

DB-8132 BASE UNIT AUDIO BLOCK DAIGRAM

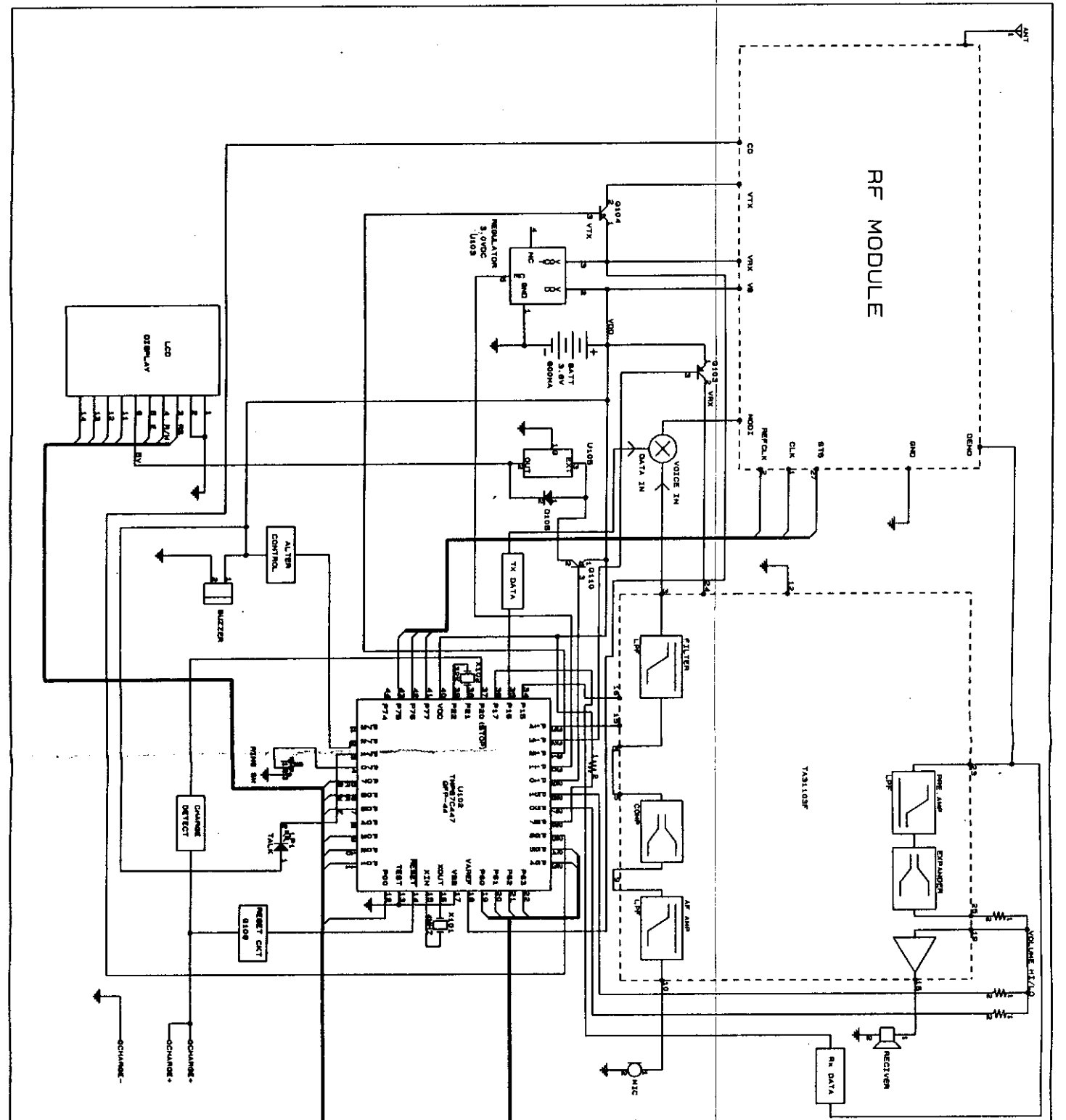


APPROVED:

CHECKED :

PREPARED:

Distur and Business Electronics Co
 FILLING DATE: 10-28-68
 Model Number: DB-8132
 PCB No: 87-110
 Rev: 1
 DATE: 10-28-68
 BY: J. L. BLOOM
 CHECKED: J. L. BLOOM
 DATE: 10-28-68
 BY: J. L. BLOOM
 APPROVED: J. L. BLOOM
 DATE: 10-28-68
 BY: J. L. BLOOM



RF MODULE

MPU PIN ASSIGNMENT

1	BUZ	17	OND	23	E-MUTE
2	TX-LED	18	COL.1	24	G-MUTE
3	RX-LED	19	COL.2	25	TX-DATA
4	RX-DATA	20	COL.3	26	RX-DATA
5	TX-DATA	21	COL.4	27	CHG-DET
6	TX-XTIN	22	COL.5	28	XTIN
7	TX-XTOUT	23	COL.6	29	XTOUT
8	TX-VOL	24	COL.6	40	VDO
9	TX-TEST	25	COL.7	41	PLL-CLK
10	TX-RESET	26	BAT-DET	42	PLL-DATA
11	TX-VIB	27	VOLUME.1	43	PLL-RTS
12	TX-OUT	28	VOLUME.2	44	"
13	TX-TEST	29	TEST		
14	TX-RESET	30	VAP		
15	TX-VIB	31	VTX		
16	TX-OUT	32	VNR		

KEY PAD

TALK	FLASH	3	2	CALL-UP
HEMO	MEDIAL	6	6	CALL-UP
CHAN	HOLD	9	9	SETUP
VOLUME	CALLER	9	0	DELETE