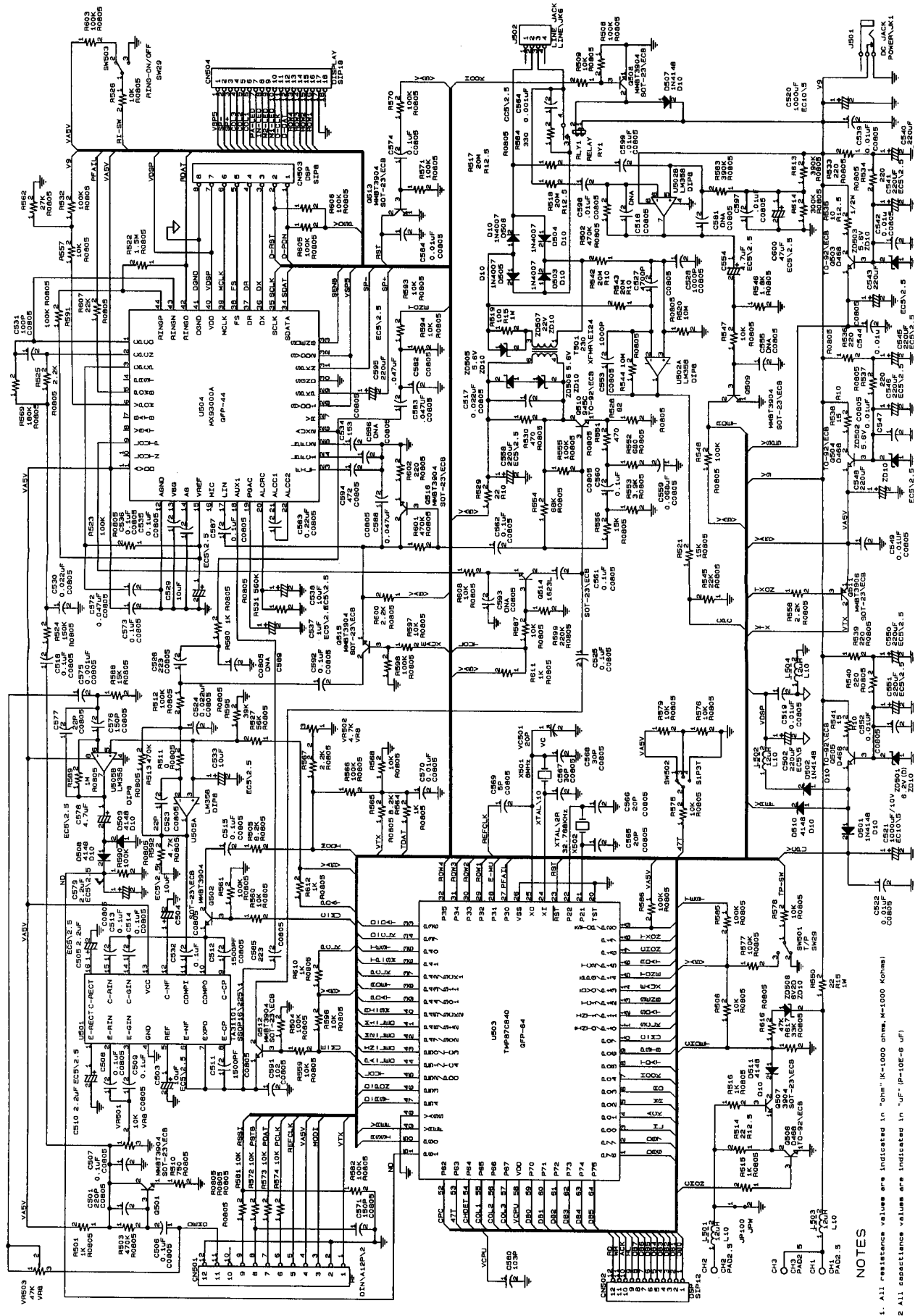


EXHIBIT D

Circuit Diagram



NOTES

1. All resistance values are indicated in "ohm" (K=1000 ohms, M=1000 K ohms)

2. All capacitance values are indicated in "uF" (P=10E-6 uF)

