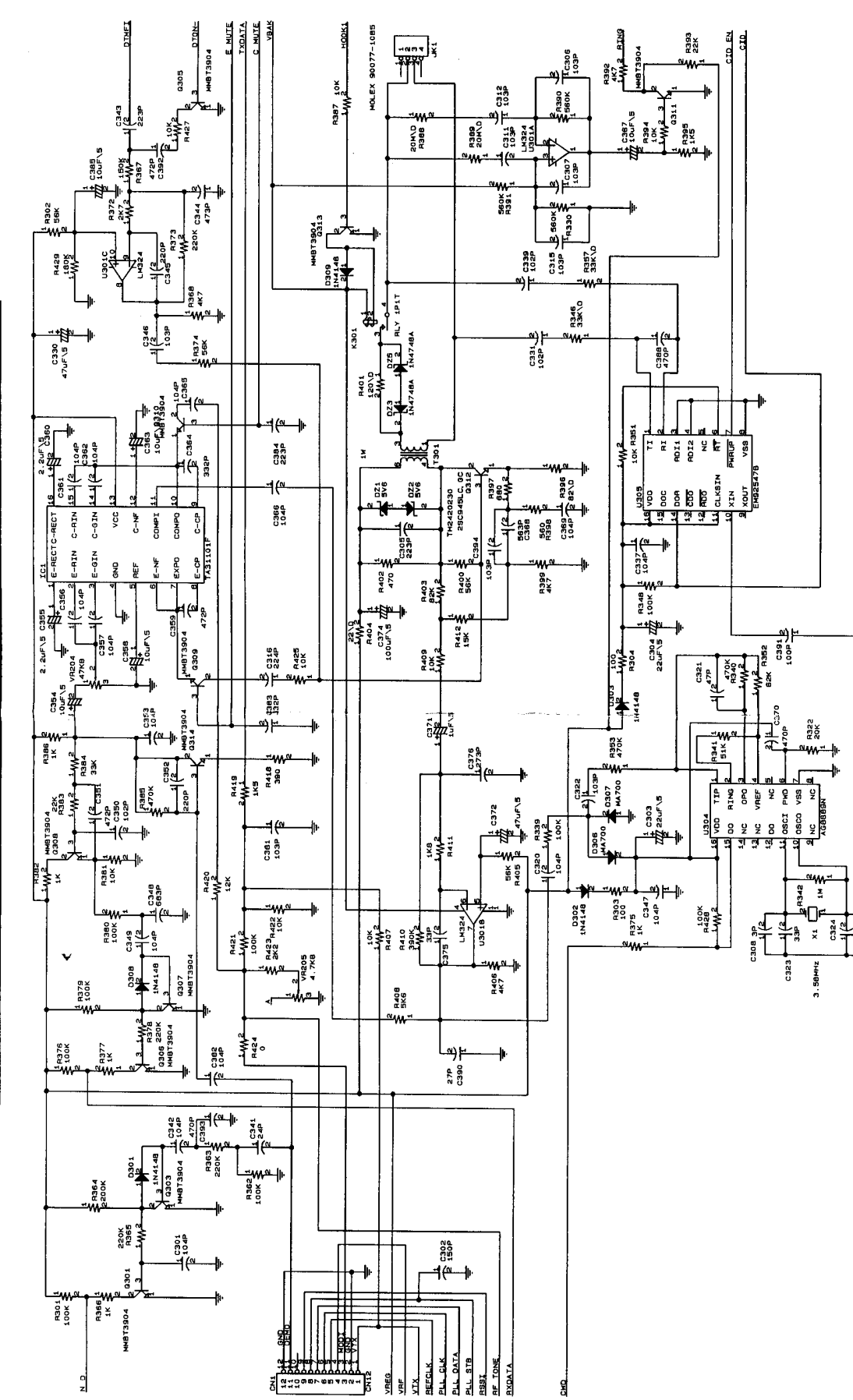


DB-8121 BASE UNIT AUDIO & LINE INTERFACE SCHEMATIC

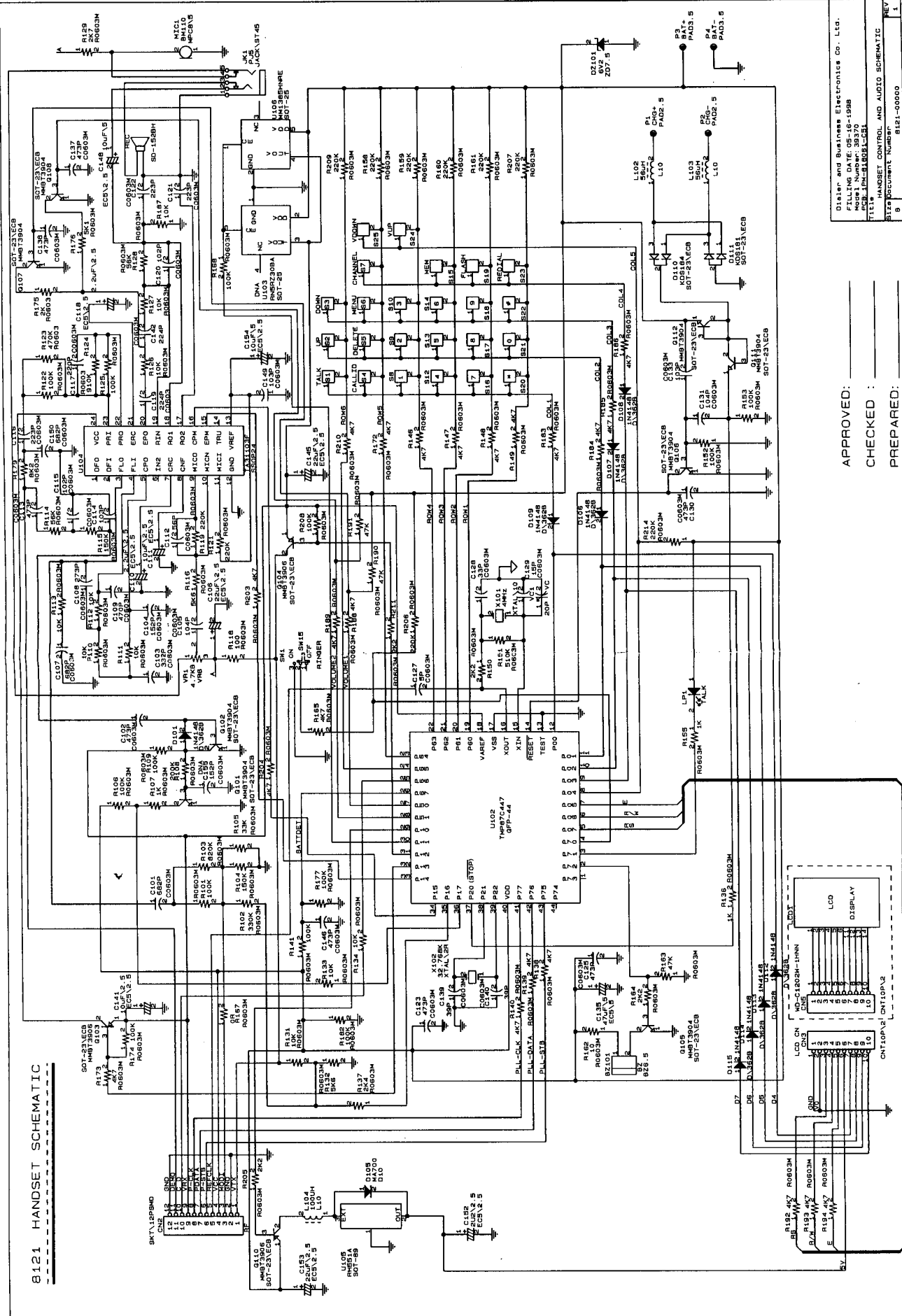


APPROVED: _____
 CHECKED: _____
 PREPARED: _____

Dealer and Business Electronics Co. Ltd.
 FILING DATE: 05-10-1998
 Model Number: 39790
 PCB No: 100-100000-001
 T114

Base Document Number: _____
 Size: _____
 Date: _____

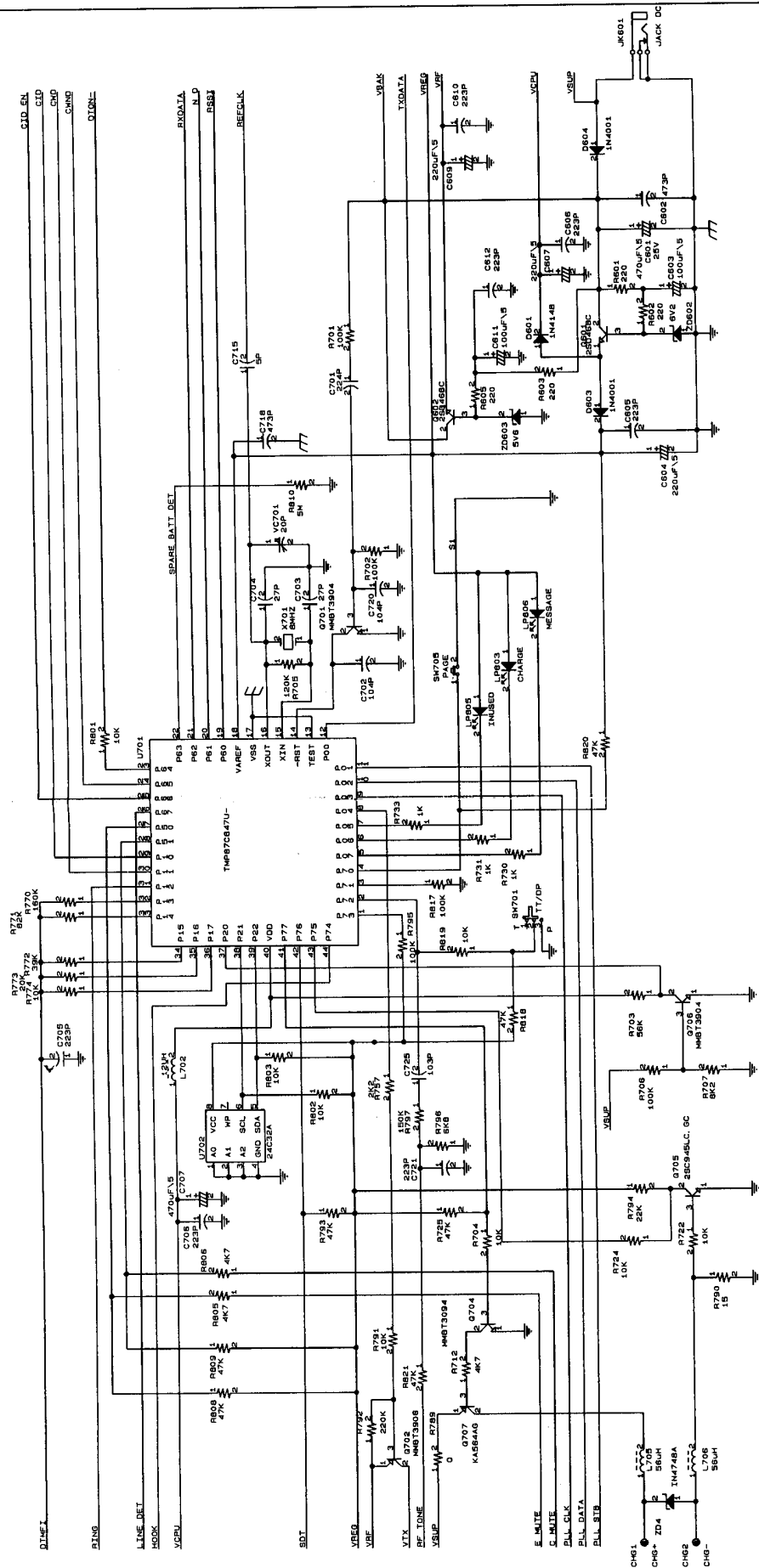
8121 HANDSET SCHEMATIC



Diater and Business Electronics Co. Ltd.
FILING DATE: 05-16-1988
Model Number: 8121
Part Number: 8121-0000
HANDSET CONTROL AND AUDIO SCHEMATIC
REV 1

APPROVED: _____
CHECKED: _____
PREPARED: _____

DB-8121BASE UNIT MPU CONTROL SCHEMATIC



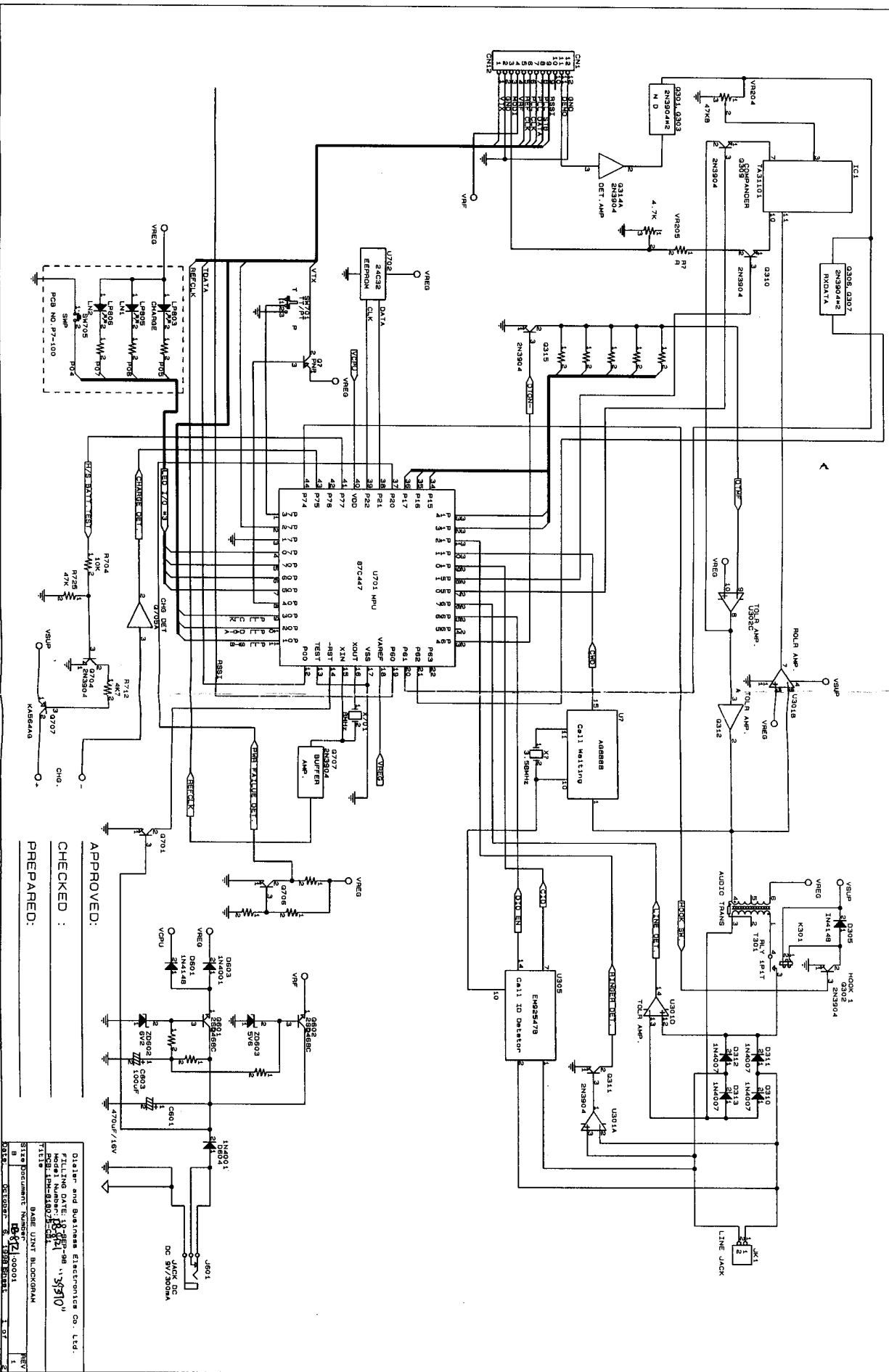
APPROVED :

CHECKED :

PREPARED :

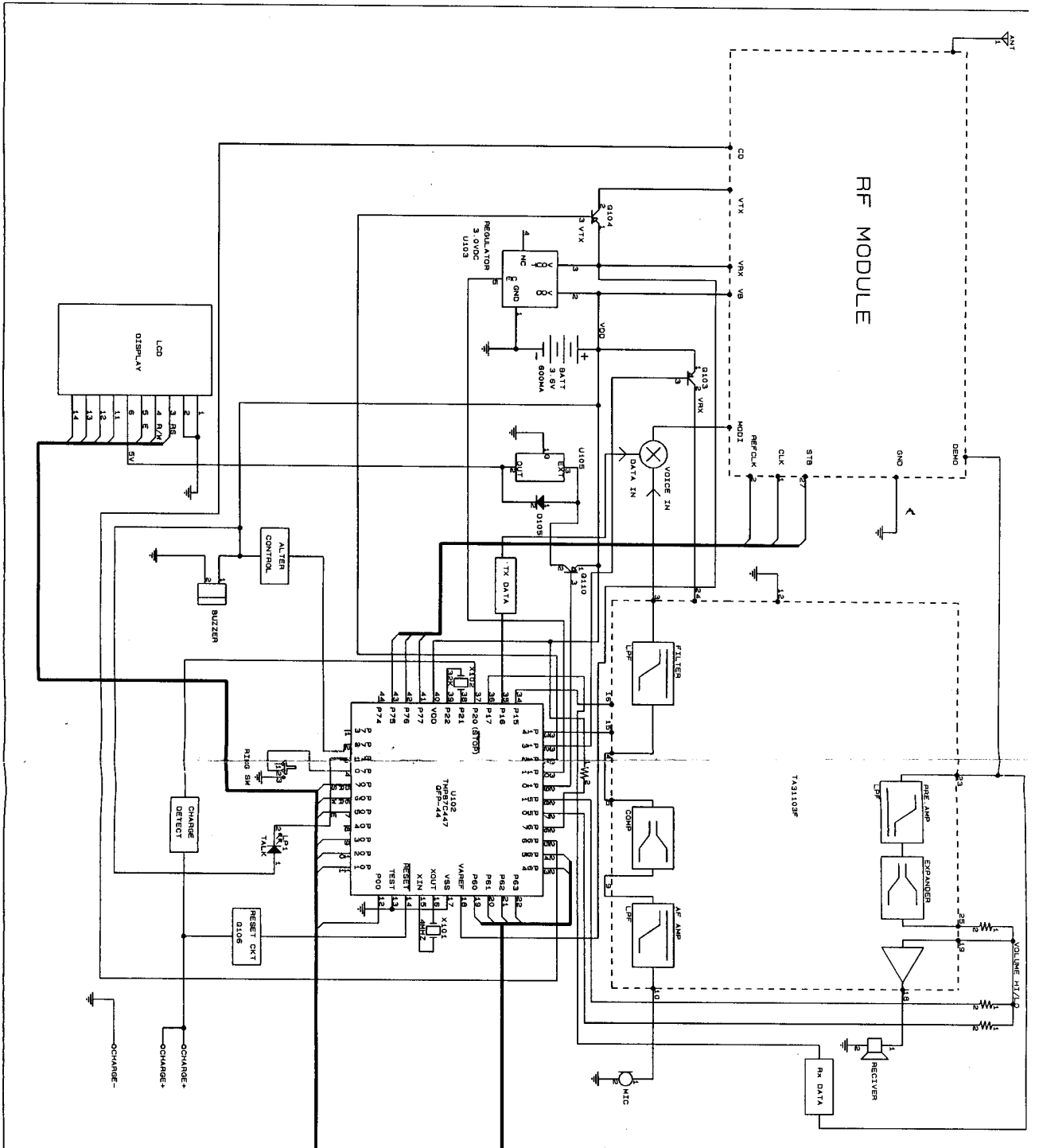
Dieler and Business Electronics Co. Ltd.
 FILLING DATE: 05-11-1988
 Model Number: 30370
 Part No: JCB-8121-2-581
 TITLE: BASE UNIT BLOCKGRAM
 Base Unit Blockgram
 DATE: 05-11-1988
 DRAWN: 30370
 1

DB-8121 BASE UNIT AUDIO BLOCK DIAGRAM



APPROVED: _____
 CHECKED : _____
 PREPARED: _____

Osair and Business Electronics Co. Ltd.
 FILING DATE: 18-SEP-98 11:30
 Model Number: DB-8121
 TITLE: DB-8121 BASE UNIT AUDIO BLOCK DIAGRAM
 SIZE Document Number: DB-8121-0001
 DATE: 18-SEP-98 11:30
 REV: 1



RF MODULE

MPU PIN ASSIGNMENT

1 *	17 GND	33 E-MUTE
2 BUZ	18 VAREP	34 C-MUTE
3 TX-LED	19 COL.1	35 TX-DATA
4 RING-SM	20 COL.2	36 RX-DATA
5 LCD-RS	21 COL.3	37 CMO-DET
6 LCD-RW	22 COL.4	38 X1IN
7 LCD-E	23 COL.5	39 X1OUT
8 *	24 COL.6	40 VDD
9 COL.4	25 COL.1	41 PLL-CLK
10 COL.3	26 BAT-DET	42 PLL-DATA
11 COL.2	27 VOLUME1	43 PLL-STB
12 COL.1	28 VOLUME0	44 *
13 TEST	29 LCD-PH	
14 REPEAT	30 VAF	
15 X1IN	31 VTX	
16 XOUT	32 VNR	

KEY PAD	
TALK	3
FLASH	2
CALL-UP	1
MEMO	6
REDIAL	5
CALL-DW	4
CHAN	9
HOLD	8
SETUP	7
VOLUME CALLID	0
DELETE	*

Dealer and Business Electronics Co. Ltd
 Title: HANDSET BLOCK DIAGRAM
 Size: Document Number: 08-01-1
 Date: 06/01/82
 Rev: 1