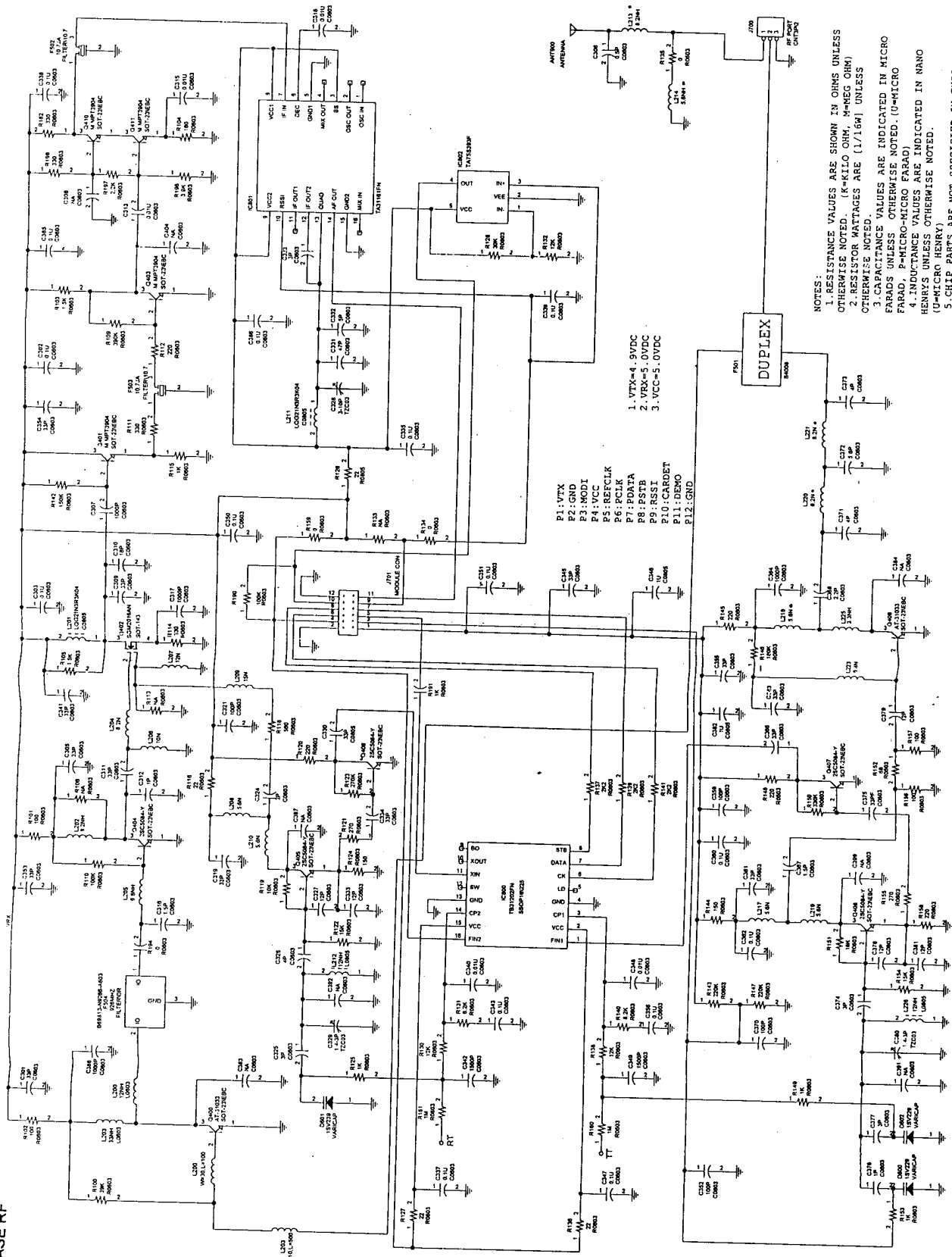
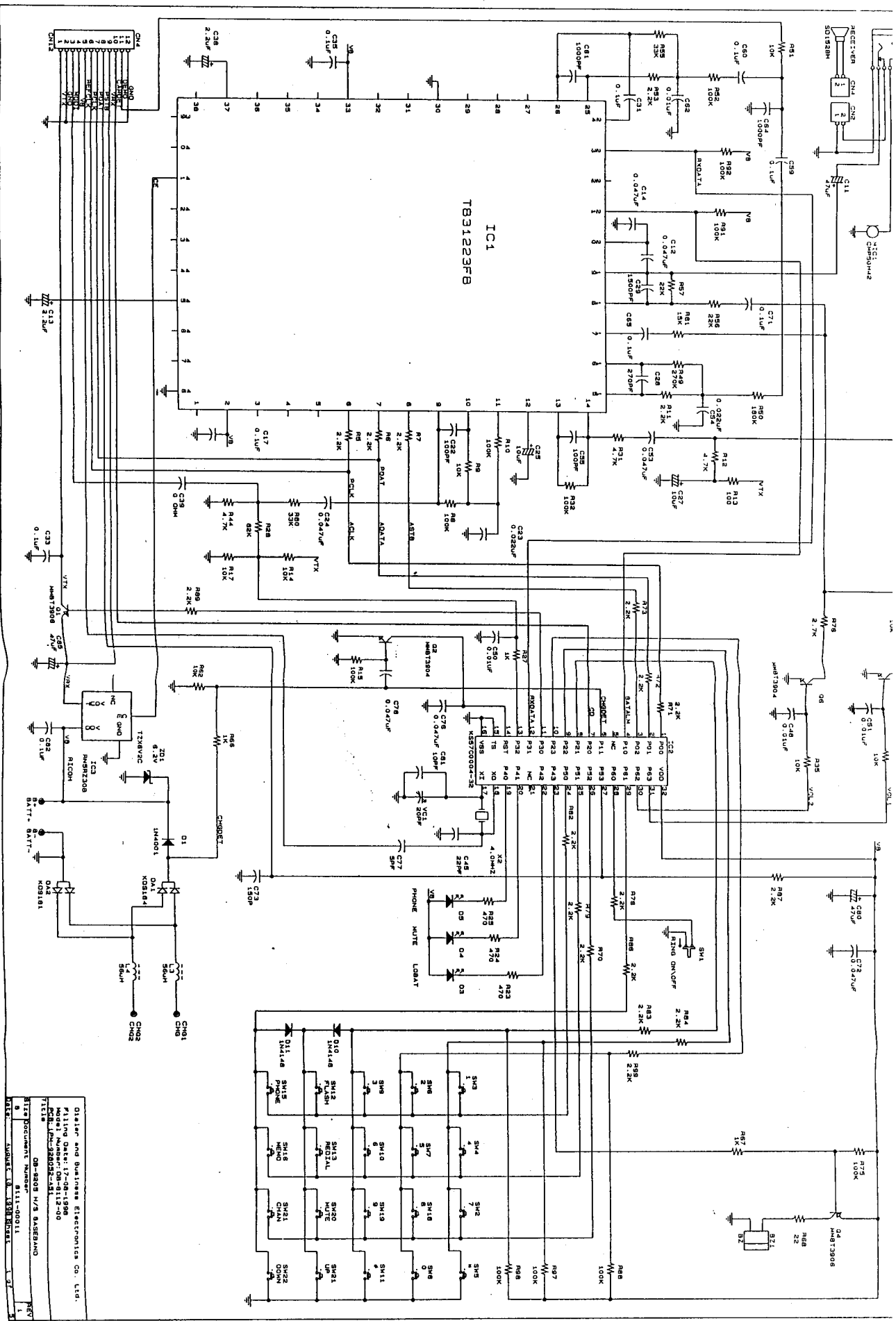


BASE RF

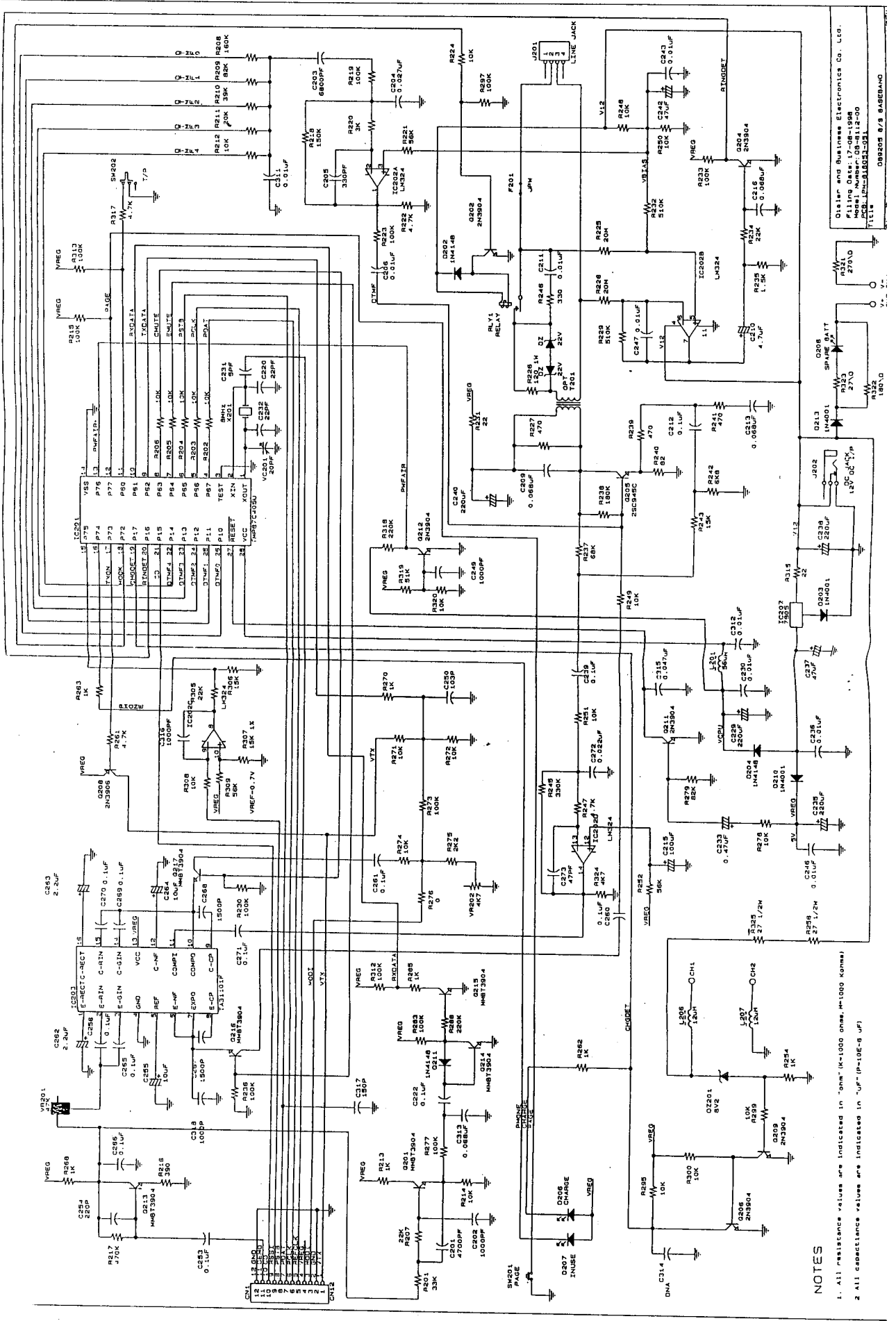


- 1. VTX=4.9VDC
- 2. VRX=5.0VDC
- 3. VCC=5.0VDC

- NOTES:
1. RESISTANCE VALUES ARE SHOWN IN OHMS UNLESS OTHERWISE NOTED. (K=KILO OHM, M=MEG OHM)
 2. RESISTOR MATTAGES ARE (1/16W) UNLESS OTHERWISE NOTED.
 3. CAPACITANCE VALUES ARE INDICATED IN MICRO FARADS UNLESS OTHERWISE NOTED. (U=MICRO FARAD, P=PICO-FARAD)
 4. INDUCTANCE VALUES ARE INDICATED IN NANO HENRIES UNLESS OTHERWISE NOTED. (U=MICRO HENRY)
- CHIP PARTS ARE NOT SPECIFIED IN THIS SCHEMATIC DIAGRAM. PLEASE REFER TO THE PARTS LIST FOR THE CHIP PART.



Osifer and Business Electronics Co. Ltd.
 Filling Date: 17-08-1998
 Model Number: OB-8112-00
 PCB File: 22002-031
 Title: OB-8808 H/S BASEBOARD
 Size: Document Number: 8112-0011
 Date: 17-08-1998
 Author: SAKHET, W. S. SAKHET



NOTES

1. All resistance values are indicated in "ohms" (K=1000 ohms, M=1000000 ohms)
2. All capacitance values are indicated in "uF" (p=10⁻⁶ uF)

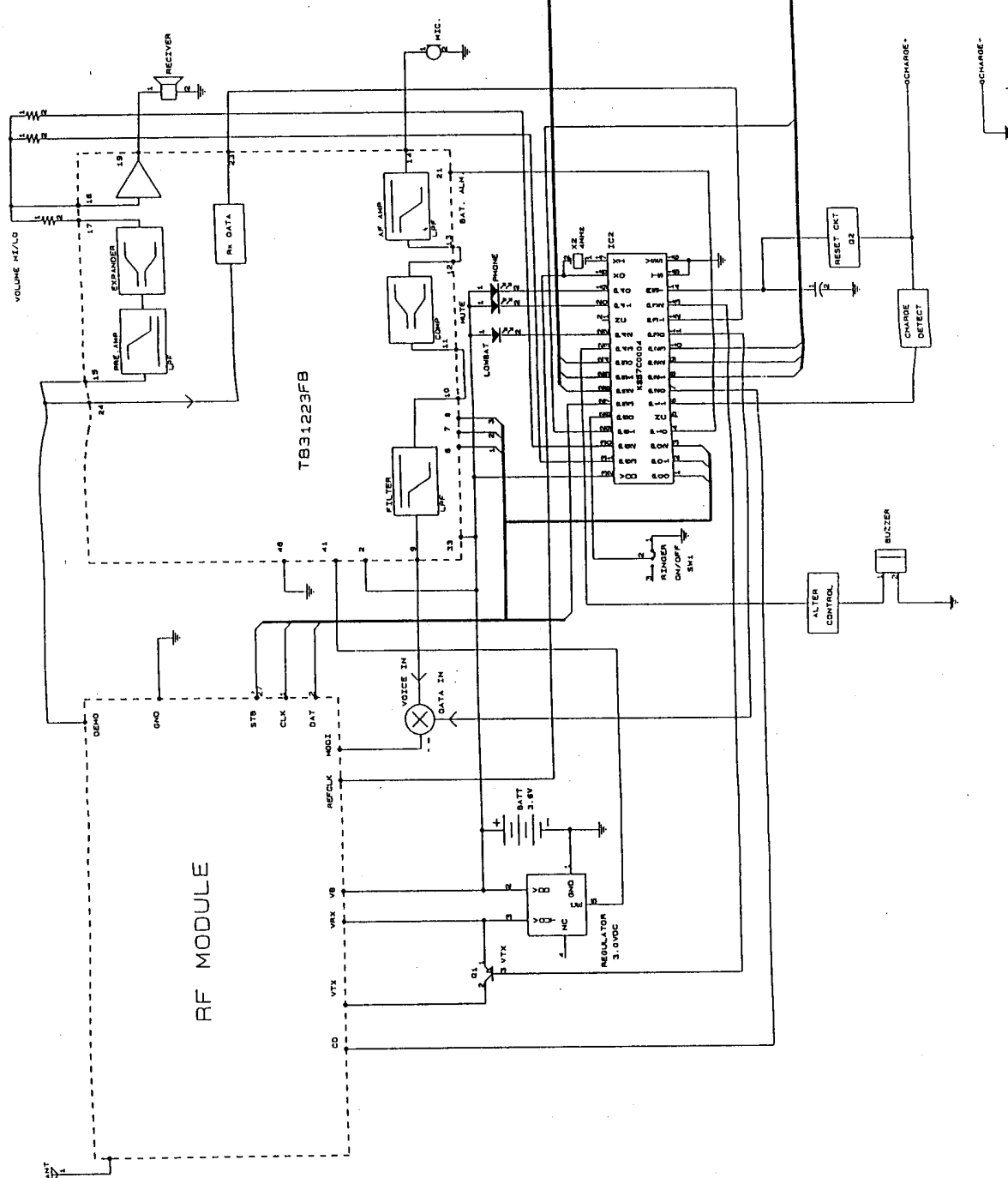
Dieter and Business Electronics Co., Ltd.
 1000 West 10th Street
 Vancouver, B.C. V6H 2G6
 Tel: 604-275-1111

082025 0/3 BASEBAND

HANDSET MAIN UNIT

MPU PIN ASSIGNMENT

- 17 XT
- 18 AD
- 19 PHONE INH.
- 20 MUTE INH.
- 21 MC
- 22 LOWBAT INH.
- 23 ALTER CONTROL
- 24 ROM0
- 25 ROM1
- 26 ROM2
- 27 PSTB
- 28 RING SW.
- 29 COL3
- 30 VOL1
- 31 TEST
- 32 VDD



RF MODULE

PHONE	FLASH	3	2	1
MEMO	MEDIAL	6	5	4
CHAN	MUTE	9	8	7
V-DOWN	V-UP	1	0	*

ALTER CONTROL

BUZZER

RESET CRT

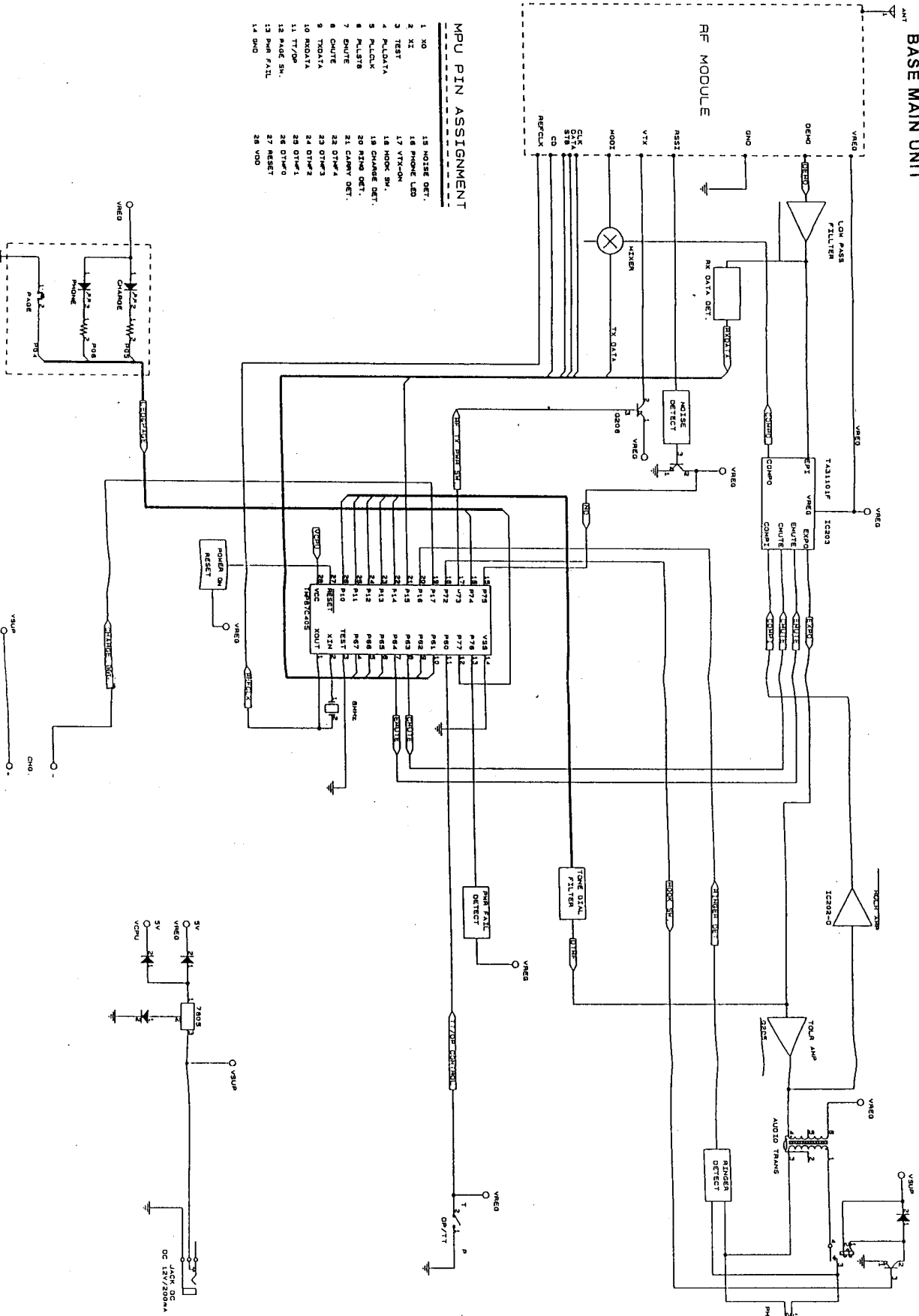
CHARGE DETECT

CHARGE

CHARGE

BASE MAIN UNIT

BLOCK DIAGRAMS



MPU PIN ASSIGNMENT

- 1 X0
- 2 XT
- 3 TEST
- 4 RLOAD/A
- 5 RLOAD/B
- 6 RLOAD/C
- 7 DWRITE
- 8 DWRITE
- 9 RDATA/A
- 10 RDATA/B
- 11 TT/DP
- 12 PWR FAIL
- 13 GND
- 14 GND
- 15 NOISE DET.
- 16 PHONE LED
- 17 VTX-ON
- 18 NOOK SW.
- 19 CHANGE DET.
- 20 RING DET.
- 21 CARRY DET.
- 22 DTW#4
- 23 DTW#3
- 24 DTW#2
- 25 DTW#1
- 26 DTW#0
- 27 RESET
- 28 VDD