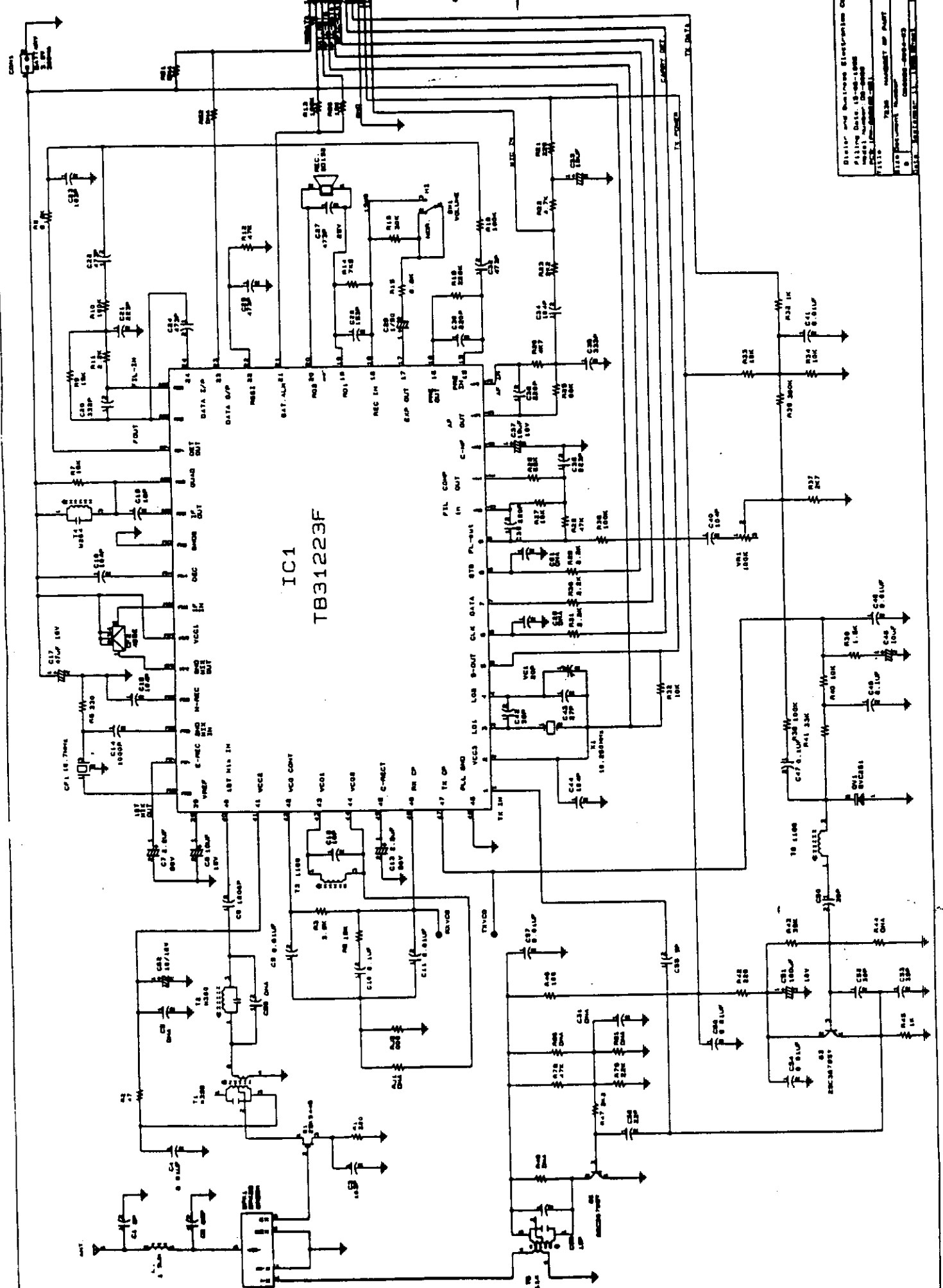
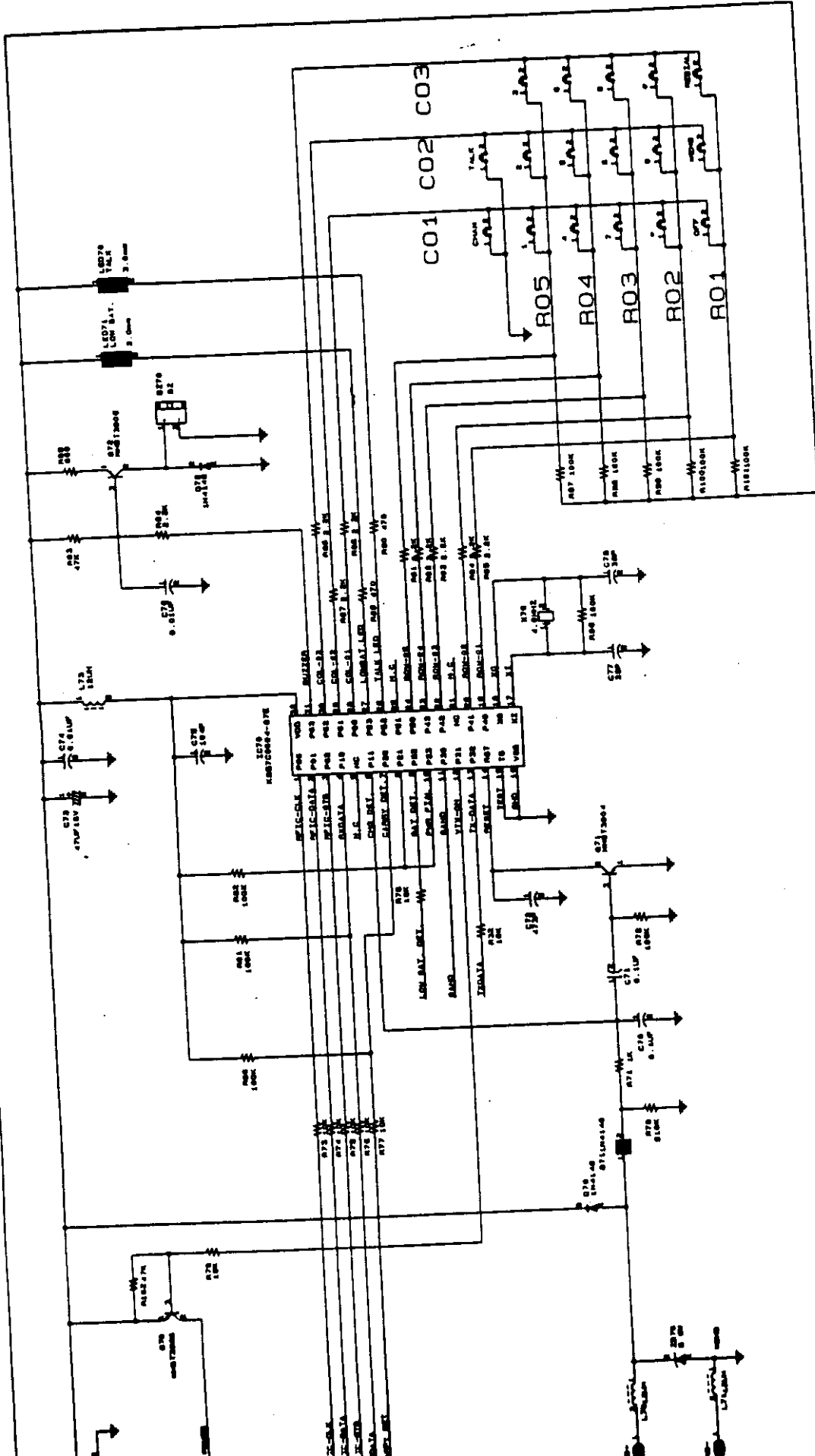


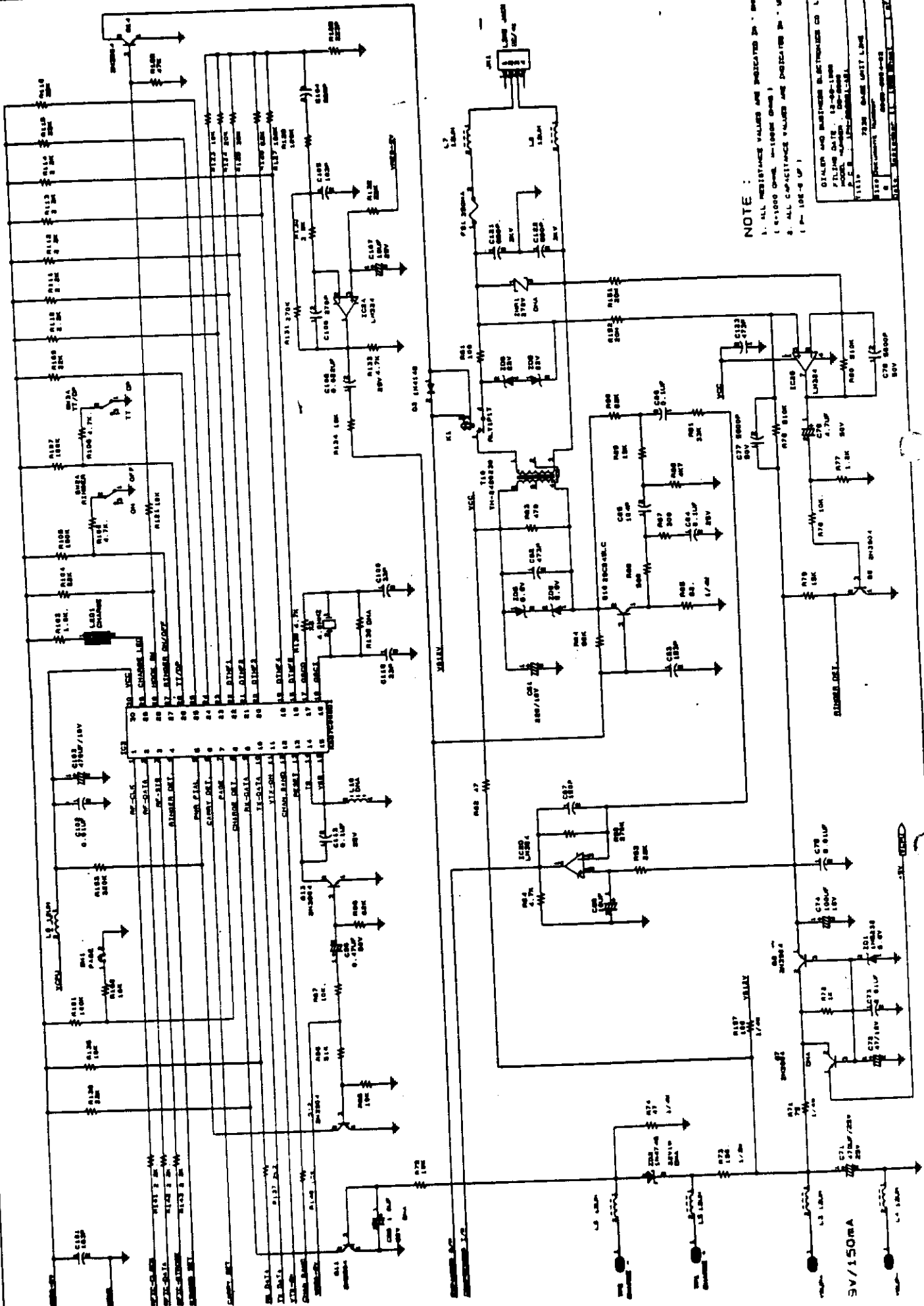
EXHIBIT E
Circuit Diagram



Builder and Business Electronics Co., Ltd.
Pilling Date: 18-10-1988
Revision: 1.0
Page: 1 of 1
No. of Pages: 1



Dealer and Business Electronics Co. Ltd.
 Filling Date: 12-06-1988
 Model Number: 88-001
 Part Number: 88-001
 1110 728 1000000 000 0000000
 0
 0
 0

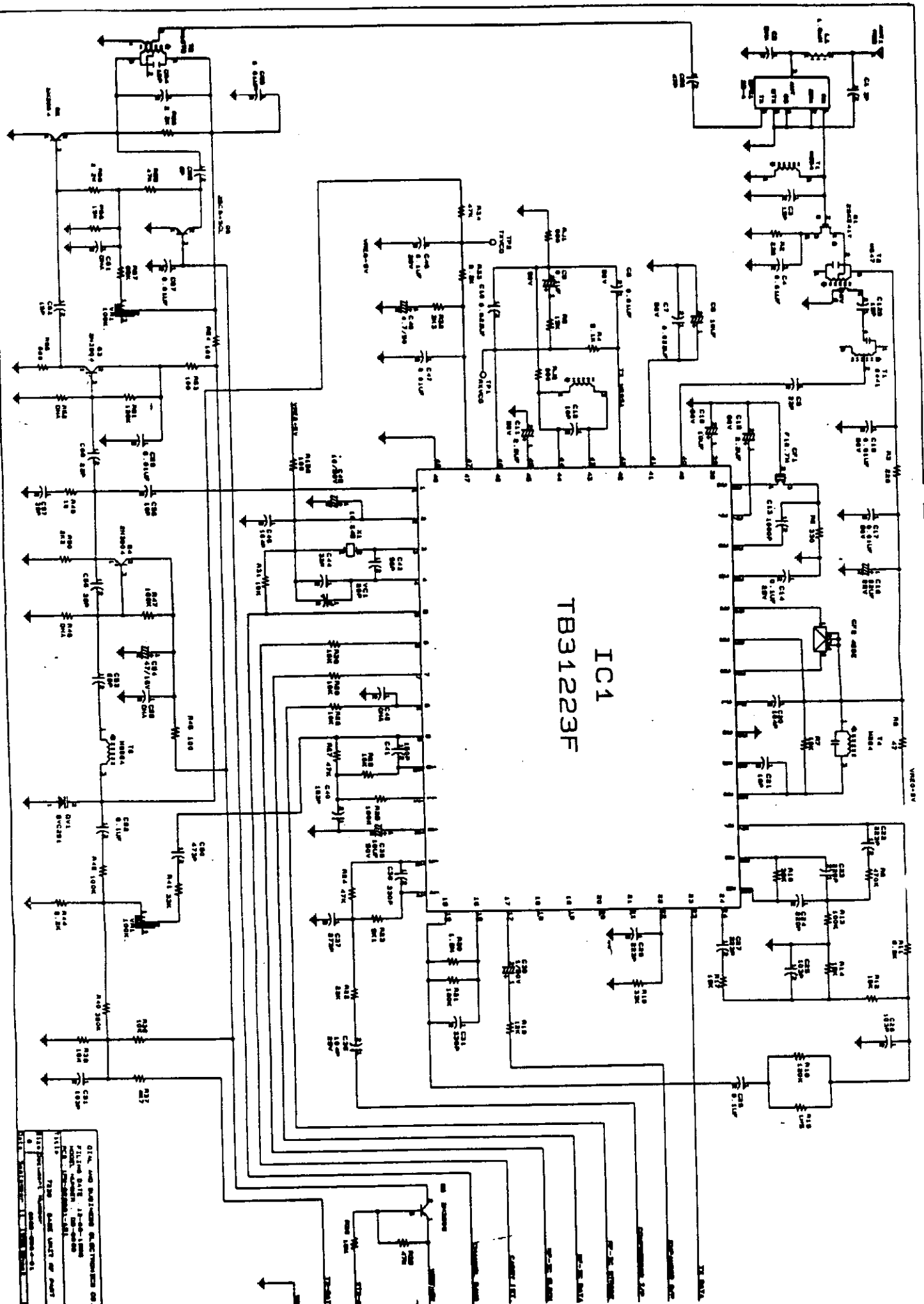


NOTE :

- 1. ALL RESISTANCE VALUES ARE INDICATED IN OHMS UNLESS OTHERWISE SPECIFIED.
- 2. ALL CAPACITANCE VALUES ARE INDICATED IN MICRO-FARADS UNLESS OTHERWISE SPECIFIED.

DATE	11-11-68
BY	W. J. BROWN
CHKD.	W. J. BROWN
FILE NO.	7238
REV.	1
PROJECT	7238
DESCRIPTION	7238
SCALE	1:1
UNIT	MM
CHECKED BY	W. J. BROWN
DATE	11-11-68

5V/150mA



IC1
TB31223F

DATE: 11-1-68
 TITLE: 7410 3-INPUT NAND GATE
 DRAWING NO: 7410-1
 DESIGNED BY: J. W. BROWN
 CHECKED BY: J. W. BROWN
 APPROVED BY: J. W. BROWN