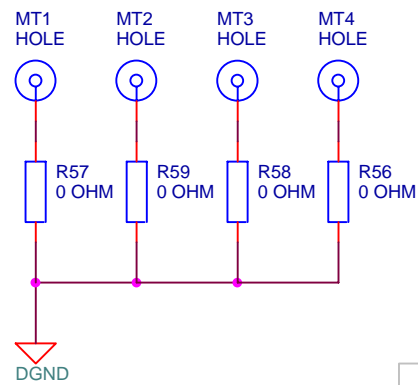
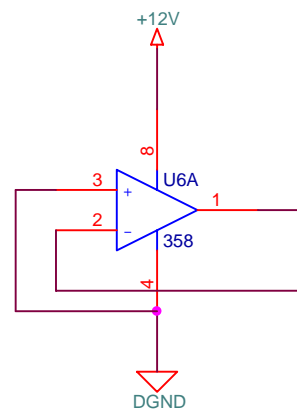


CONNECT MOUNTING HOLES TO DIGITAL GROUND.



APPROVALS		DATE
Drawn	J. FORNEY	2/2/99
Checked	(NAME)	(DATE)
Engr	J. FORNEY	2/2/99
Appd	(NAME)	(DATE)
Release	(NAME)	(DATE)

A	(PCN#)	REL PER ER	(DATE)	XXX	XXX
LTR	PCN NO.	DESCRIPTION	DATE	BY	APPD
Sensormatic Electronics Corp.					
951 YAMATO RD. BOCA RATON, FL					
Title Alarm Interface, Ultra*Post Plus					
Size	Document Number				Rev
B	S0301-1511-01				1
Date:	Monday, April 12, 1999		Sheet	3	of 3