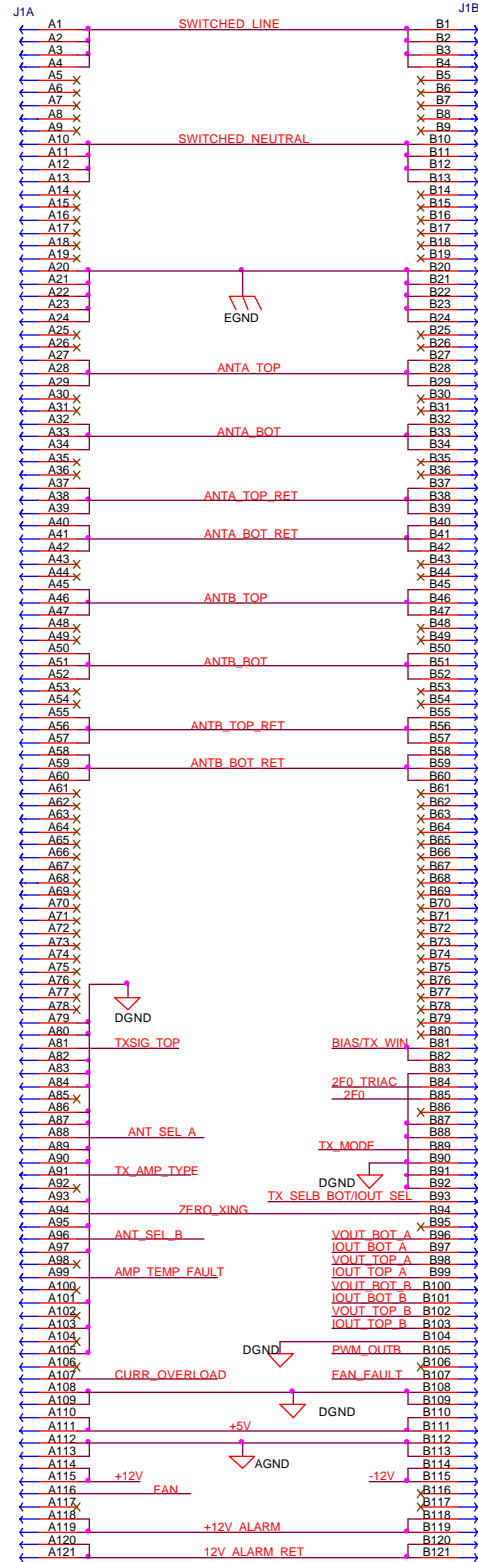
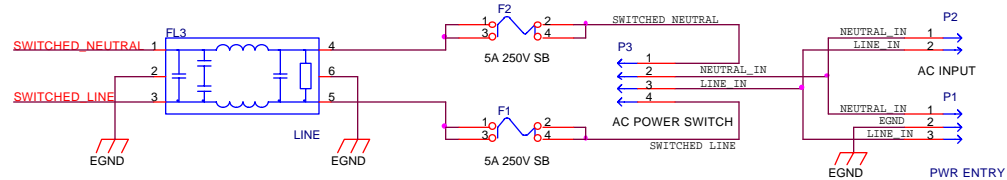
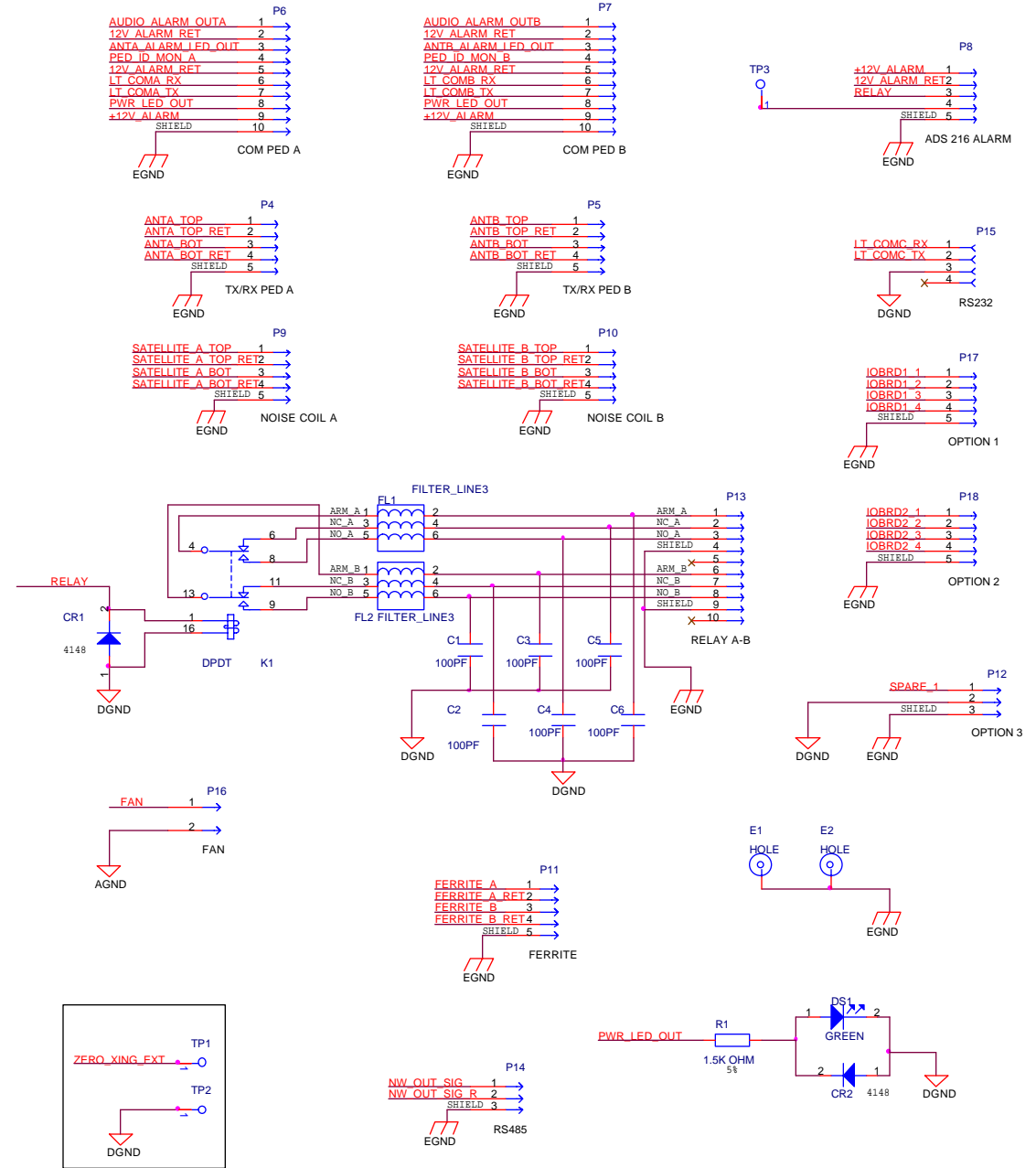
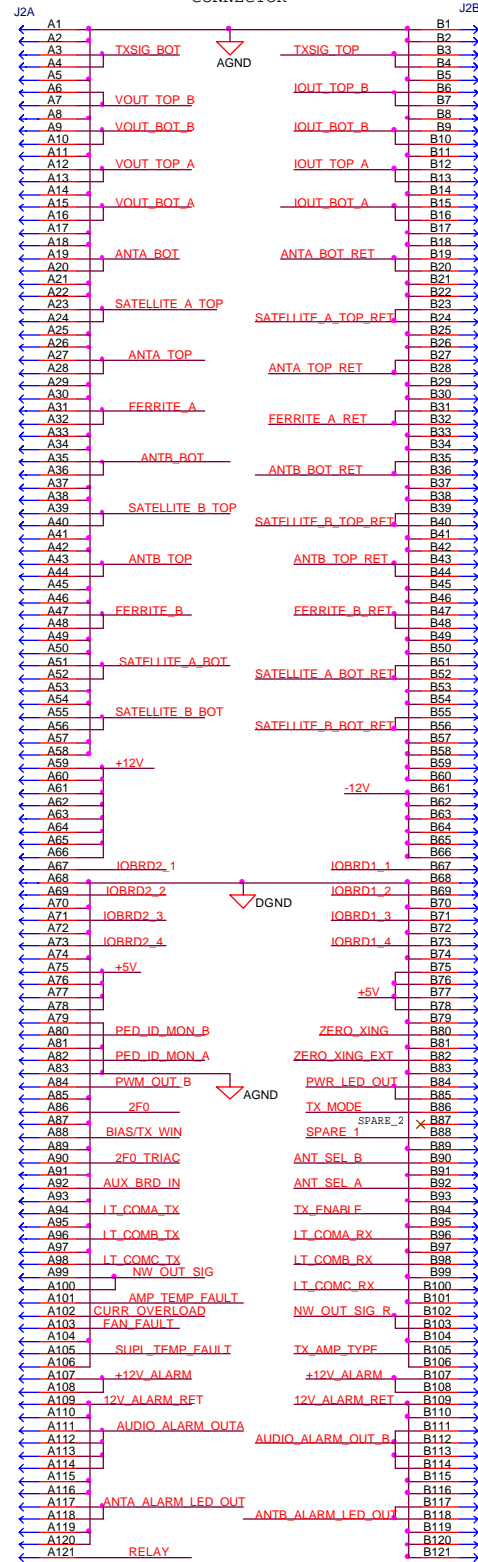


ADS 216 POWER
SUPPLY/TRANSMITTER
CONNECTOR



ADS 216
DSP/RECEIVER
CONNECTOR



APPROVALS		DATE	REL PER ER		(DATE)	XXX	XXX	
Drawn	(NAME)	(DATE)	LTR	PCN NO.	DESCRIPTION	DATE	BY	APPD
Drawn	DENNIS JORDAN	1/4/99						
Checked	(NAME)	(DATE)						
Engr	DENNIS JORDAN	1/4/99						
Appd	(NAME)	(DATE)						
Release	(NAME)	(DATE)						

Sensormatic Electronics Corp.							
951 YAMATO ROAD BOCA RATON, FLORIDA 33431							
Title SCHEMATIC, ADS 216 BACKPLANE NON-EUROPEAN							
Size C		Document Number S0301-1510-01		Rev 1			
Date: Wednesday, May 24, 2000				Sheet 1 of 1			