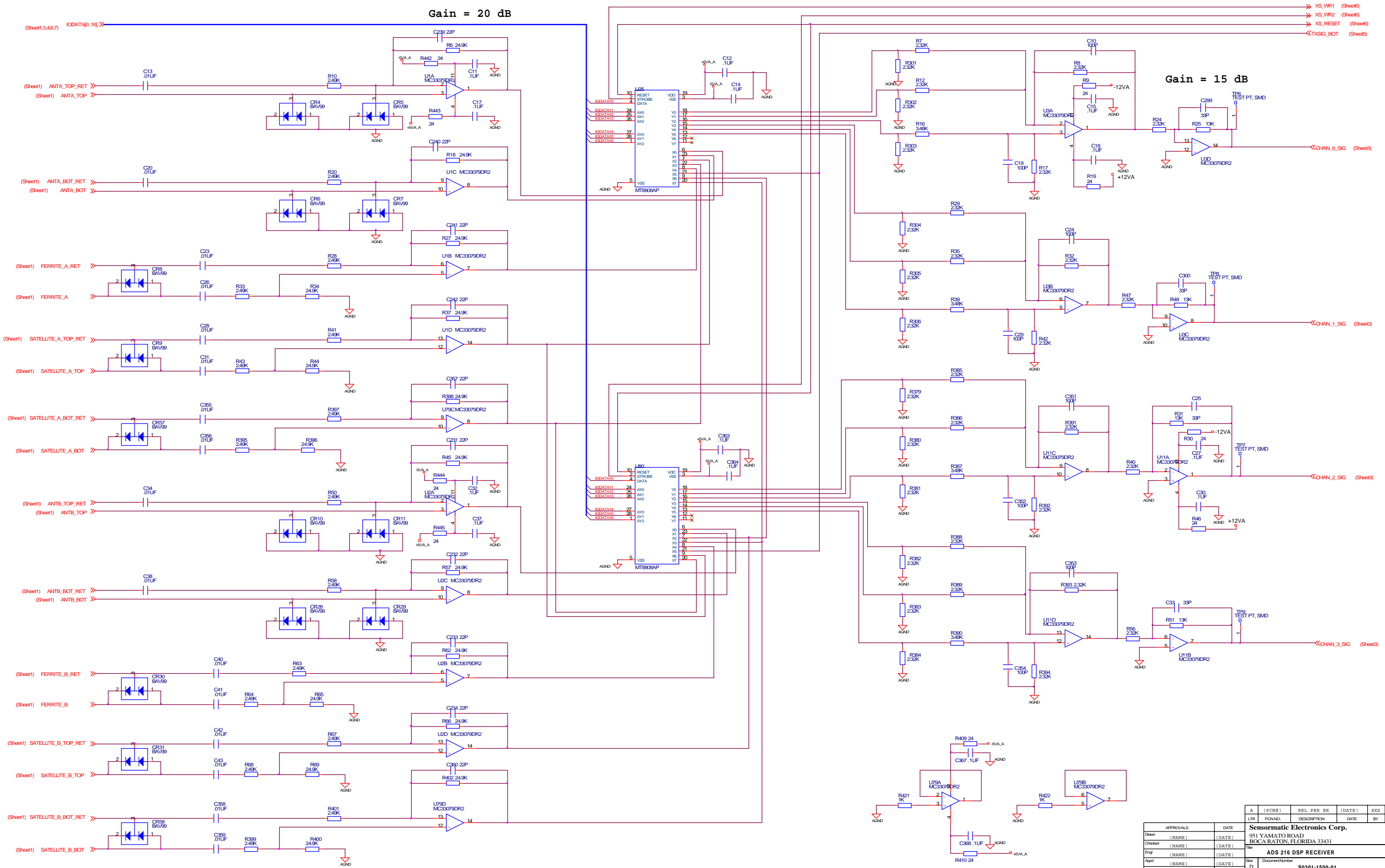


Gain = 20 dB

Gain = 15 dB



APPROVALS	DATE	A	(PCR#)	REL	PER	ER	(DATE)	XXX	XXX	
Drawn	(NAME)	(DATE)	LTR	PCBNO	DESCRIPTION	DATE	BY	APPR		
Sensomatic Electronics Corp.										
951 YAMATO ROAD BOCA RATON, FLORIDA 33431										
Title: ADS 216 DSP RECEIVER										
Eng	(NAME)	(DATE)	Size	DocumentNumber						Rev
App'd	(NAME)	(DATE)	D	S0301-1500-01						3
Release	(NAME)	(DATE)	Date:	Friday, May 05, 2000	Sheet	2	of	7		