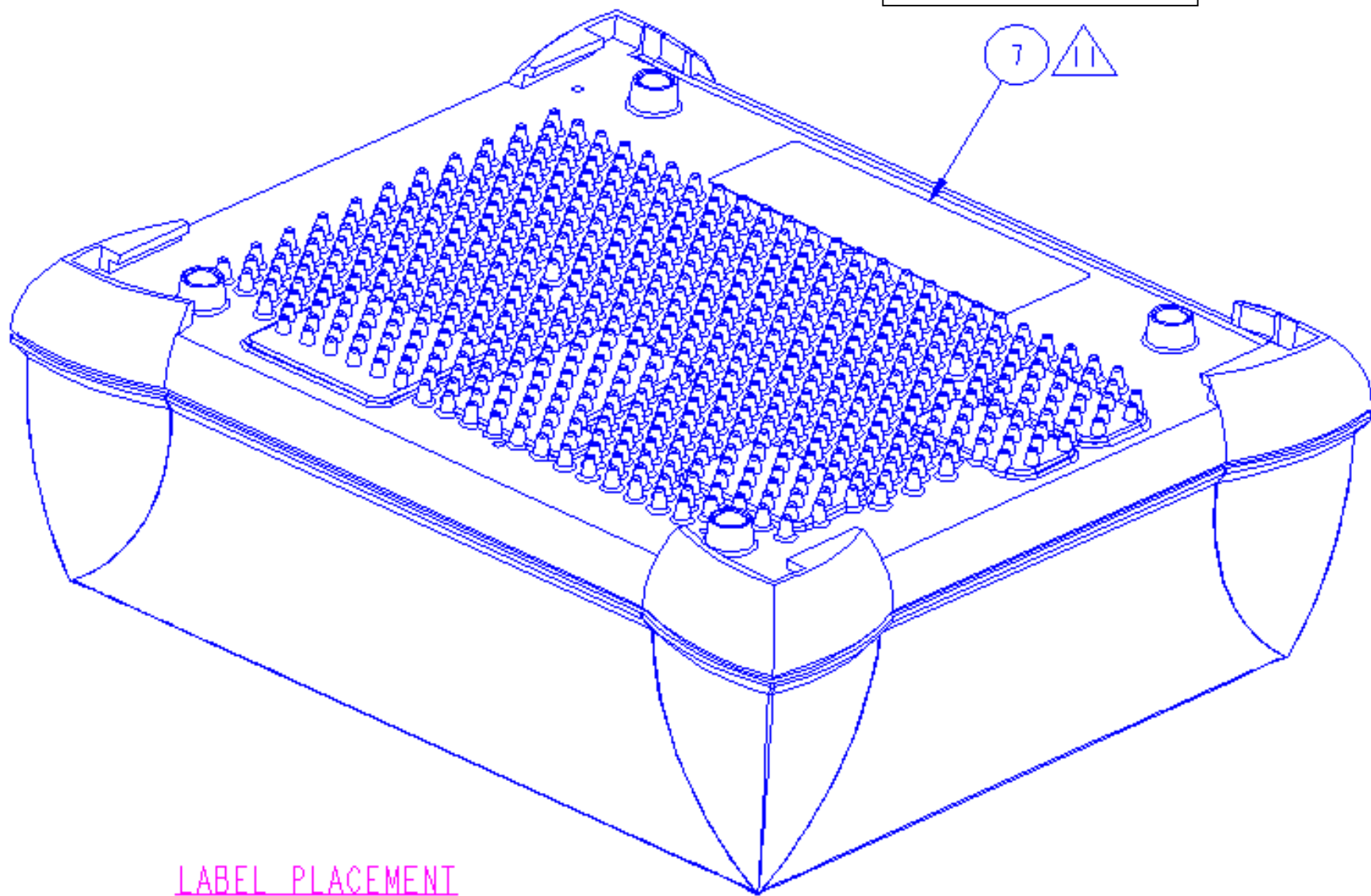


Regulatory Label
Location
(bottom, front)



LABEL PLACEMENT