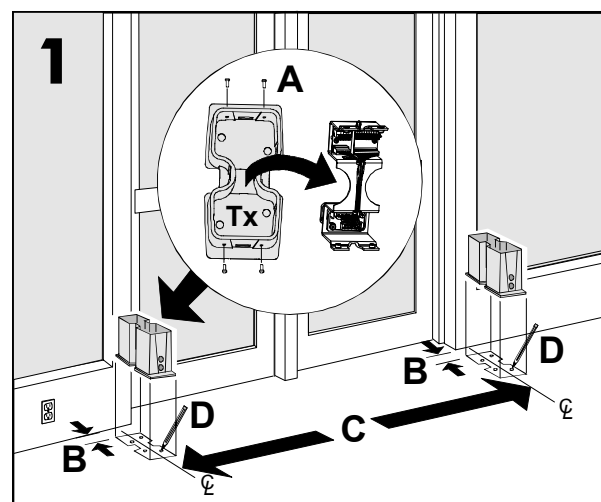


APS-1000 Quick Install Guide

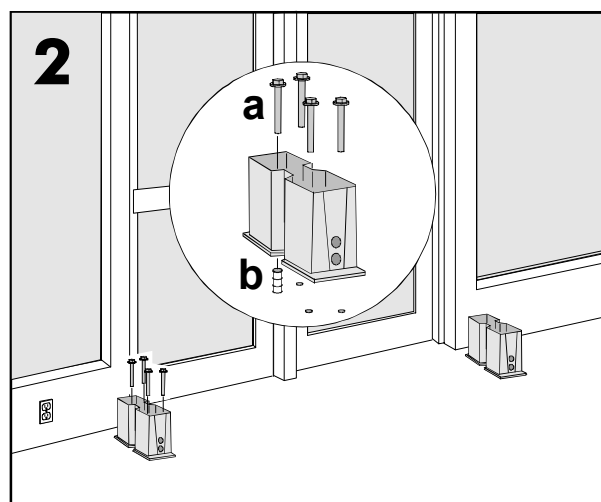
1.8 Meter (6-Footer) Doorway System

**APS-1000 Marketed as
AssetProSM and ezMax**

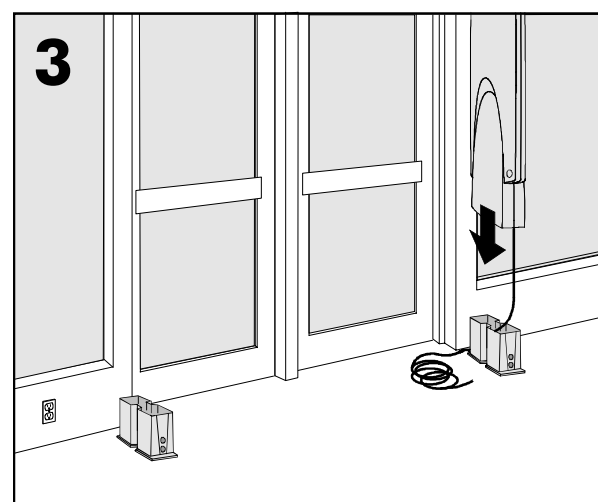


The APS-1000 uses a primary pedestal and a secondary pedestal (the one with the long cable attached).

- A. The base for the primary pedestal contains a cable connection bracket. Remove this bracket from the base. Four screws secure the bracket.
- B. Place pedestal bases 1.5–1.8m (5–6 feet) apart, center-to-center.
VERY IMPORTANT! Ensure bases are at least 12.7cm (5 in.) from the doorframe.
- C. Using a pencil, mark mounting hole locations for each base. If drilling through carpet, cut the carpet to avoid carpet runs.
- D. Move the bases out of the way and, using a 1.25cm (1/2 in.) drill bit, drill mounting holes 9cm (3 in.) deep.



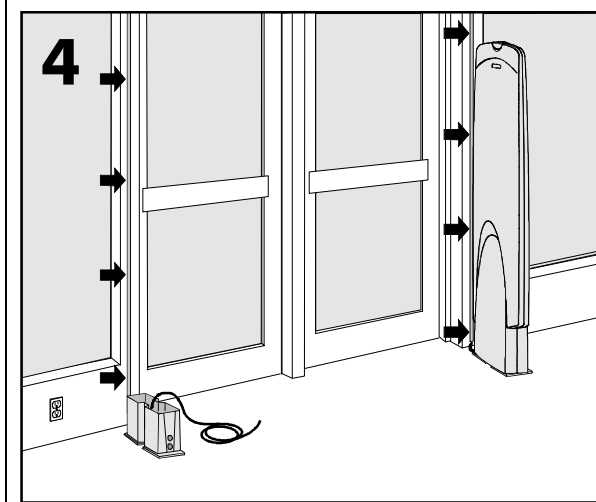
Secure each base using screws (a) and anchors (b) supplied.



With its bottom facing the doorway, gently lay the secondary pedestal near its base. In the base, run the cable through the Romex clamp in the lower hole facing the door. Tighten the Romex clamp.

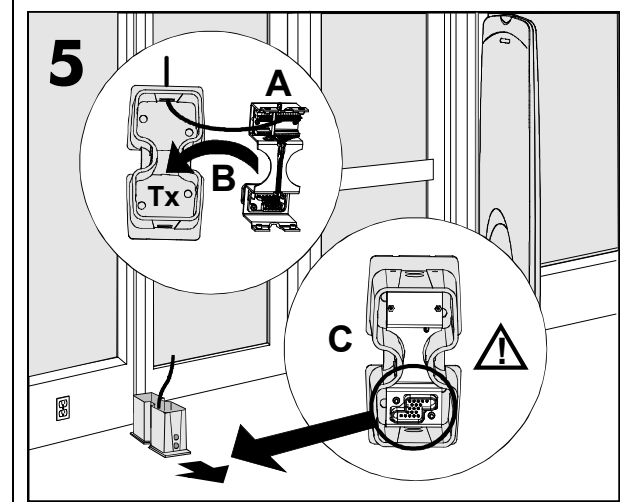
Ensuring the pedestal's cover screws face the exit, press down for a tight fit. As you do, pull excess cable out of the base. Ensure the cable is not pinched between the base and the pedestal housing.

IMPORTANT! Once the pedestal is in place, gently push about 0.3m (1ft) of cable back into the base to enable the pedestal to be detached from the base if future service is required.



Peel and stick wireway is provided. The cable from the secondary pedestal to the primary pedestal runs up, over and down the doorway through this wireway.

- A. Wipe the frame of the door with alcohol where the wireway is to go. Then with the opening of the wireway facing the exit, affix the wireway around the doorframe (shown by arrows) and insert the cable into it.
- B. At the base of the primary pedestal, run the end of the cable through the Romex Clamp in the lower hole in the end facing the door so its end extends about 30.5cm (1 ft) above the base. Cut off and discard excess cable.
- C. If necessary, protect any remaining exposed cable with a wireway or other suitable covering.



A. At the cable connection bracket, connect the cable (and any accessory cables) to the color-coded terminal blocks at the bottom of the bracket.

5-pin terminal block:

- Pin 1 — Secondary top
- Pin 2 — Return secondary top
- Pin 3 — Return secondary bottom
- Pin 4 — Secondary bottom
- Pin 5 — Shield

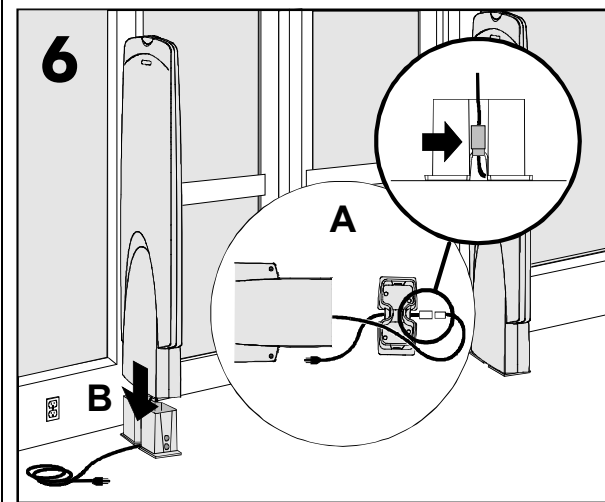
14-pin terminal block:

- Pin 1 — Remote transmit enable
- Pin 2 — Return Remote transmit enable
- Pin 3 — Shield 1
- Pin 4 — Secondary antenna select
- Pin 5 — Return secondary antenna select
- Pin 6 — Shield 2
- Pin 7 — Relay 1
- Pin 8 — Common 1
- Pin 9 — Relay 2
- Pin 10 — Common 2
- Pin 11 — Shield 3
- Pin 12 — W Sync
- Pin 13 — Return W Sync
- Pin 14 — Shield 4

- B. Re-insert the cable connection bracket back into the base and secure using the four screws previously removed.
- C. Ensure the connector on the bracket faces away from the door.

APS-1000 Quick Install Guide

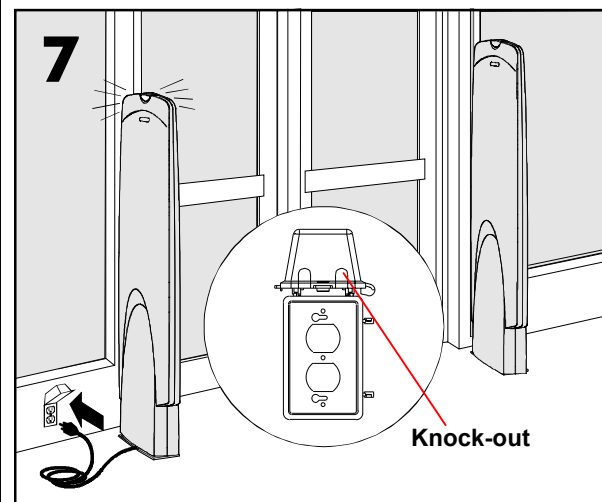
1.8 Meter (6-Foot) Doorway System, continued



- A. Gently lay the primary pedestal near the base with its bottom facing the doorway.
- Route the ac pigtail exiting the pedestal over the base and down the vertical groove in the base facing the doorway.
- Towards the doorway, run the pedestal side of the power extension cord under the base and connect it to the pigtail.
- B. Slip the primary pedestal over its base while ensuring:
- Its cover screws face the exit.
 - The ac connection is tucked in the groove of the base.

Press down for a tight fit. As you do, ensure the ac connection remains tucked in the groove.

IMPORTANT! Protect any remaining exposed cable with a wireway or other suitable covering.

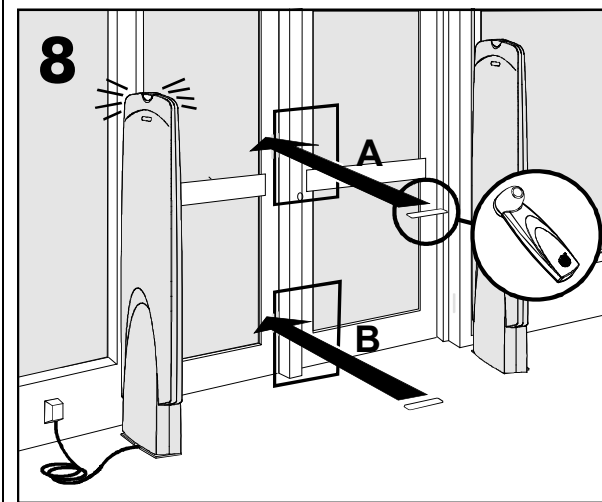


- Remove the cord access knockout from the bottom of the ac receptacle guard (supplied). Replace the existing outlet cover with the receptacle guard.
- Plug the extension cord into the AC receptacle. A green lamp atop of the primary pedestal will light and the red alarm lamp will blink once every 4 seconds to indicate the system is looking to avoid noise from nearby electronic equipment (auto phasing).
- An audio/visual alarm for 2 seconds indicates the system is ready for routine operation.

IMPORTANT! Auto phasing can take up to 11 minutes depending on noise encountered.

Note: If the system alarms, wait one minute to see if the red lamp blinks twice every 4 seconds for one minute. If it does, see page ___ in *Installation and Troubleshooting Guide*, 8000-2853-01.

Snap the enclosure cover closed. Secure the cord using cable ties provided.



- TEST THE SYSTEM.** Hold a known good security tag horizontal and walk it through box A, stepping past the pedestals. The system should alarm.
- Repeat the test for box B.

Declarations

Regulatory Compliance

Emissions	47 CFR, Part 15 EN300330 EN301489 RSS210
Safety	UL 60950 CSA C22.2 No. 60950 EN60950

FCC COMPLIANCE: This equipment complies with Part 15 of the FCC rules for intentional radiators and Class A digital devices when installed and used in accordance with the instruction manual. Following these rules provides reasonable protection against harmful interference from equipment operated in a commercial area. This equipment should not be installed in a residential area as it can radiate radio frequency energy that could interfere with radio communications, a situation the user would have to fix at their own expense.

EQUIPMENT MODIFICATION CAUTION: Equipment changes or modifications not expressly approved by Sensormatic Electronics Corporation, the party responsible for FCC compliance, could void the user's authority to operate the equipment and could create a hazardous condition.

Other Declarations

WARRANTY DISCLAIMER: Sensormatic Electronics Corporation makes no representation or warranty with respect to the contents hereof and specifically disclaims any implied warranties of merchantability or fitness for any particular purpose. Further, Sensormatic Electronics Corporation reserves the right to revise this publication and make changes from time to time in the content hereof without obligation of Sensormatic Electronics Corporation to notify any person of such revision or changes.

LIMITED RIGHTS NOTICE: For units of the Department of Defense, all documentation and manuals were developed at private expense and no part of it was developed using Government Funds. The restrictions governing the use and disclosure of technical data marked with this legend are set forth in the definition of "limited rights" in paragraph (a) (15) of the clause of DFARS 252.227.7013. Unpublished - rights reserved under the Copyright Laws of the United States.

TRADEMARK NOTICE: Sensormatic, the Sensormatic logo, and AssetPro are service marks, trademarks or registered trademarks of Sensormatic Electronics Corporation, a division of Tyco International Fire and Security Services. Other product names mentioned herein may be trademarks or registered trademarks of other companies.

No part of this guide may be reproduced in any form without written permission from Sensormatic Electronics Corporation.