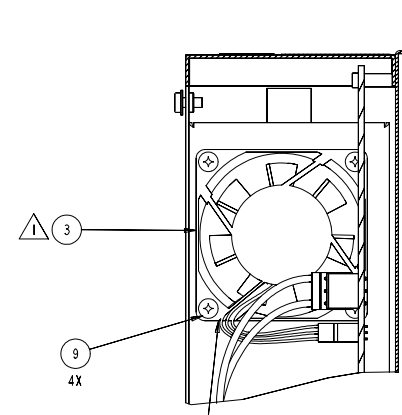
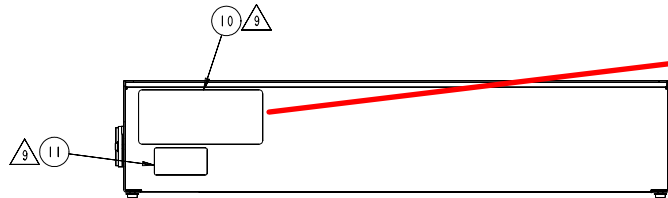


REVISIONS					
REV	ECN NO.	DESCRIPTION	DATE	BY	APP'D
A	200460	REL PER ER	12/02/05	RSC	IA

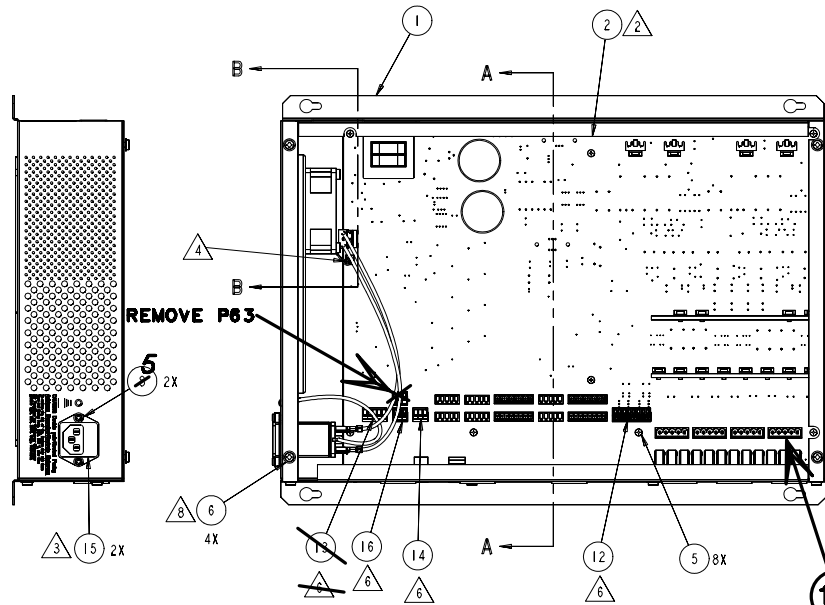
B 13841 REV PER PCN 1/23/06 RSC IA

FCC Label Placement (Items 10)

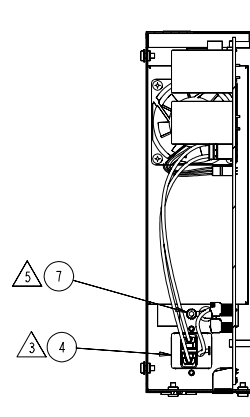


NOTE ORIENTATION OF FAN WIRE EXIT

**SECTION B-B
SCALE 1000**



TOP VIEW-COVER REMOVED FOR CLAIRTY

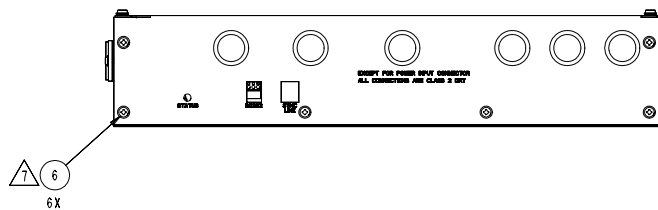


SECTION A-A

NOTES:

- 1 ASSEMBLE FAN ASSY, ITEM 3, TO ENCLOSURE, ITEM 1, USING SCREWS, ITEM 9-4X.
- 2 ASSEMBLE PCB ASSY, ITEM 2, TO ENCLOSURE USING SCREWS, ITEM 5-8X.
- 3 ASSEMBLE POWER ENTRY MODULE ASSY, ITEM 4, TO ENCLOSURE, ITEM 1, USING SCREWS, ITEM 8-2X. INSTALL TWO FUSES, ITEM 15, INSIDE P.E.M.
- 4 PLUG CONNECTOR OF FAN ASSY, ITEM 3, INTO P89 OF PCB ASSY, ITEM 2.
- 5 ASSEMBLE GROUND WIRE (GRN/YEL WIRE) OF POWER ENTRY MODULE, ITEM 4, TO ENCLOSURE USING NUT ITEM 7. PLUG CONNECTOR OF POWER ENTRY MODULE INTO P62 OF PCB ASSY, ITEM 2.
- 6 PLUG CONNECTOR/LABEL ASSYS, ITEMS 12, 13, 14, 16, 17 INTO P54, P2, P8 & P64 RESPECTIVLY ON PCBV ASSY, ITEM 2.
- 7 ASSEMBLE THE FRONT PANEL, PART OF ITEM 1, TO THE ENCLOSURE, ALSO PART OF ITEM 1, USING SCREWS, ITEM 6-8X.
- 8 ASSEMBLE COVER, PART OF ITEM 1, TO ENCLOSURE, ALSO PART OF ITEM 1, USING SCREWS, ITEM 6-4X.
- 9 PLACE UNIVERSAL LABELS, ITEMS 10 & 11, ON REAR PANEL WHERE SHOWN

10 TORQUE HARDWARE M3 TØ 0.8 Nm (7 lbf-in)



DIMENSIONS ARE IN MM DO NOT SCALE DRAWING		UNLESS OTHERWISE SPECIFIED TOLERANCES ARE: SIZE 0.005 ANGLES 0° & 90°		SENSORMATIC ELECTRONICS CORPORATION 3902 WATSON, FL 33447, USA	
ANSI STANDARD Y14.5M - 1992 APPLY	THIS DRAWING MAY CONTAIN PATENTED OR PROPRIETARY INFORMATION AND MUST NOT BE USED FOR MANUFACTURING OR ANY OTHER PURPOSE WITHOUT THE EXPRESS WRITTEN CONSENT OF SENSORMATIC ELECTRONICS.	THIRD ANGLE PROJECTION	DATE: 12/02/05	DESIGNED BY: CERASINI	TITLE: CONTROLLER
ACCEPTANCE OF THIS DRAWING WILL BE CONSIDERED AS AN AGREEMENT TO AND ACCEPTANCE OF THE FOREGOING.			DATE: 12/02/05	DRAWN BY: ALEXANDER	SIZE: ZE9050
			DATE: 12/02/05	DATE: 12/02/05	DRAWING NUMBER: D C0319-0011-01
			DATE: 12/02/05	DATE: 12/02/05	SCALE: 0.500
					SHEET 1 OF 1